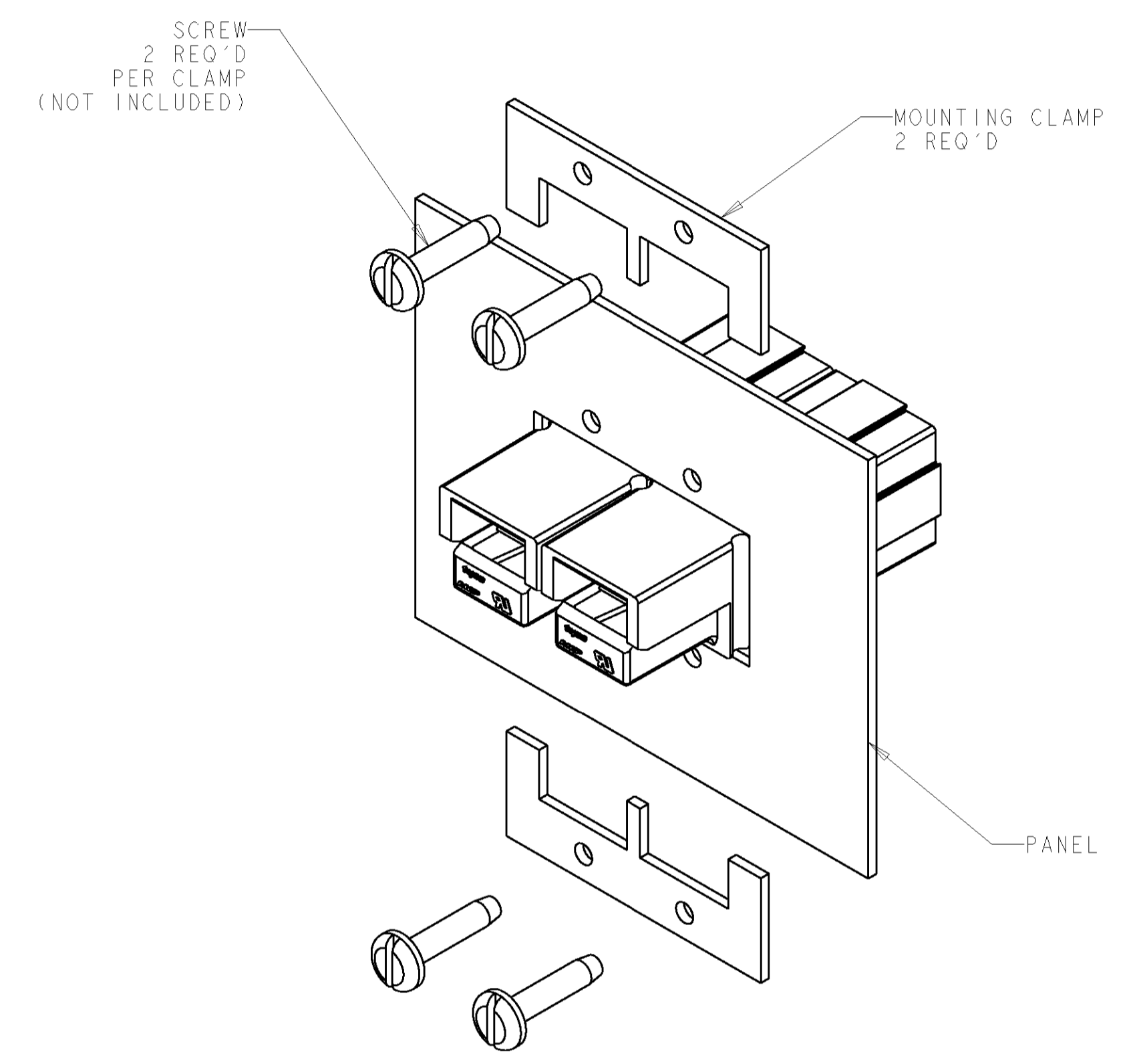
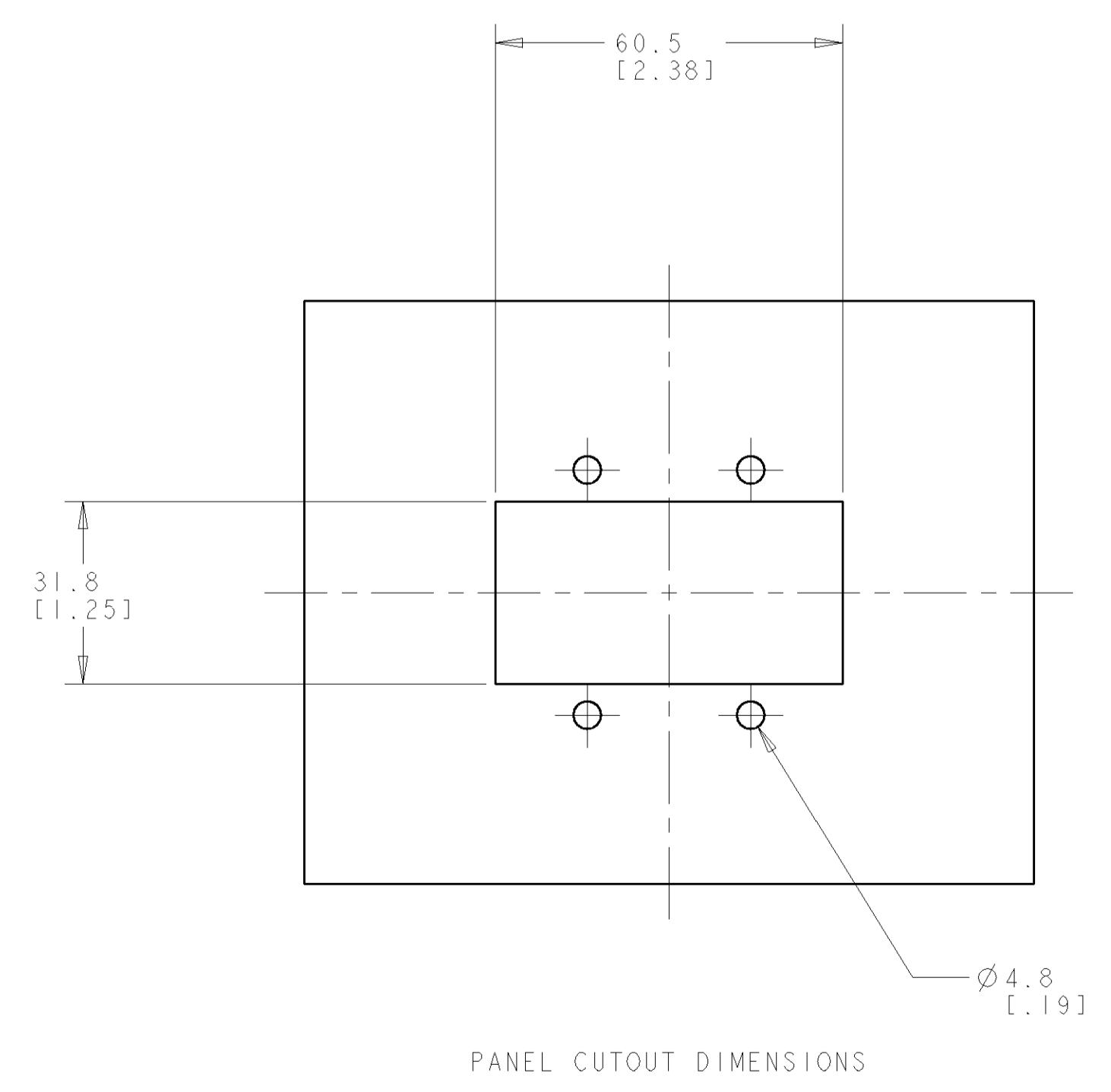
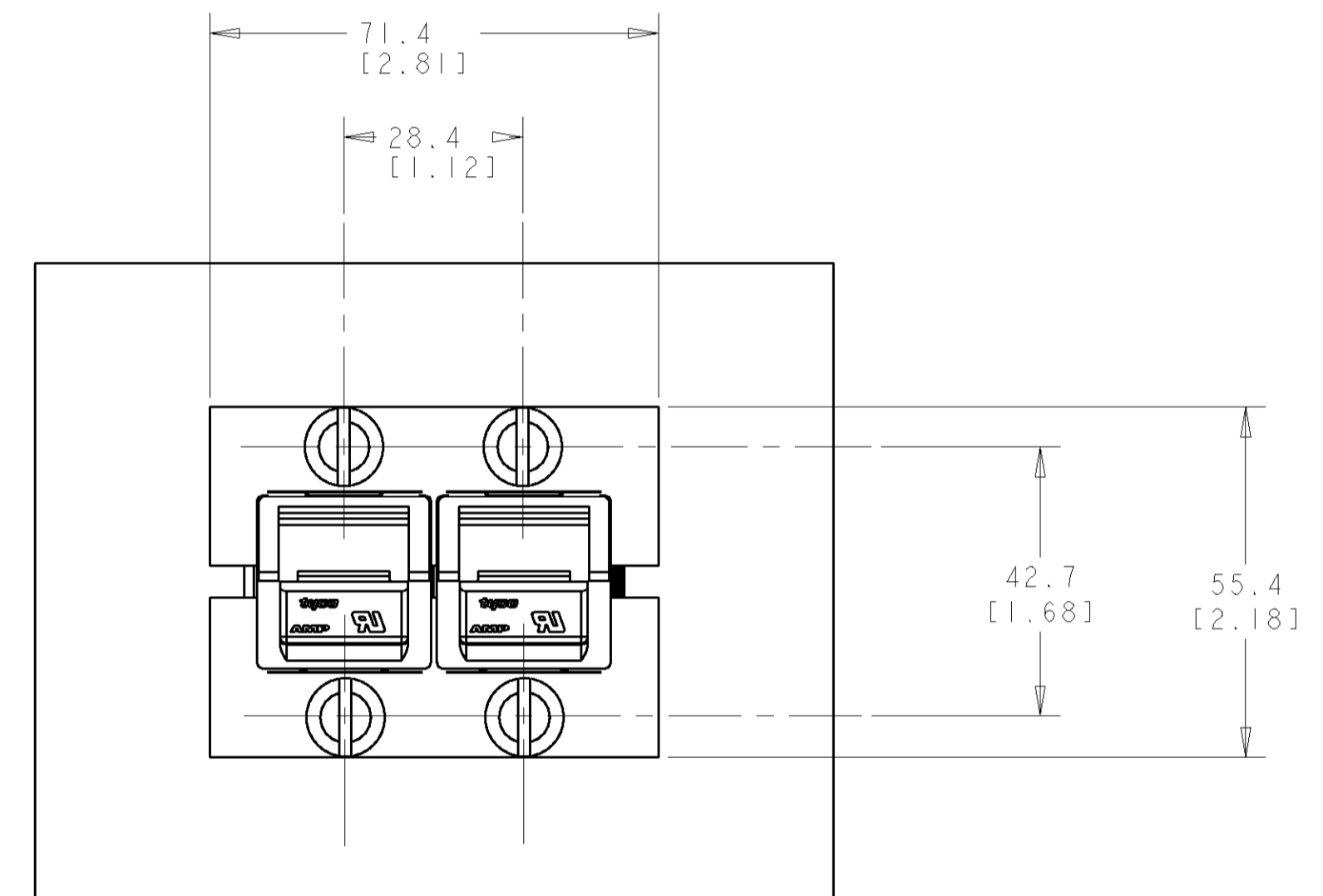


| LOC | DIST | REVISIONS |     |                          |           |     |      |
|-----|------|-----------|-----|--------------------------|-----------|-----|------|
| CM  | 00   | P         | LTR | DESCRIPTION              | DATE      | DWN | APVD |
|     |      | 1         |     | PRE-RELEASED             | 21NOV2002 | KW  | JE   |
|     |      | 0         |     | REVISED PER 0638-0595-03 | 16JAN06   | KW  | JE   |



I. MOUNTING CLAMPS SOLD IN PAIRS, SCREWS NOT INCLUDED.

|                           |             |
|---------------------------|-------------|
| 1 BOX                     | 647720-2    |
| 1 PAIR                    | 647720-1    |
| QTY / UNIT OF MEASUREMENT | PART NUMBER |

|   |  |  |  |  |  |   |  |
|---|--|--|--|--|--|---|--|
| DIMENSIONS:<br>mm [ INCHES ]            |  | TOLERANCES UNLESS OTHERWISE SPECIFIED:<br>0 PLC ±<br>1 PLC ±0.5 [ .02 ]<br>2 PLC ±<br>3 PLC ±<br>4 PLC ±<br>ANGLES ± |  | DWN B. WHITAKER 07-JAN-2003<br>ENR J. ELLIS 07-JAN-2003<br>APVD J. ELLIS 07-JAN-2003 |  | Tyco Electronics<br>Harrisburg, PA 17105-3608                 |  |
| MATERIAL AL 2.3 [ .09 ] THK<br>FINISH - |  | WEIGHT -<br>CUSTOMER DRAWING   |  | NAME<br>AMP POWER SERIES 180 MOUNTING CLAMP, 2 POLE                                  |  | SIZE CAGE CODE DRAWING NO RESTRICTED TO<br>A 00779 C-647720 - |  |
| SCALE 1:1 SHEET 1 OF 1 REV 0            |  |  |  | DATE 07-JAN-2003   |  |   |  |

