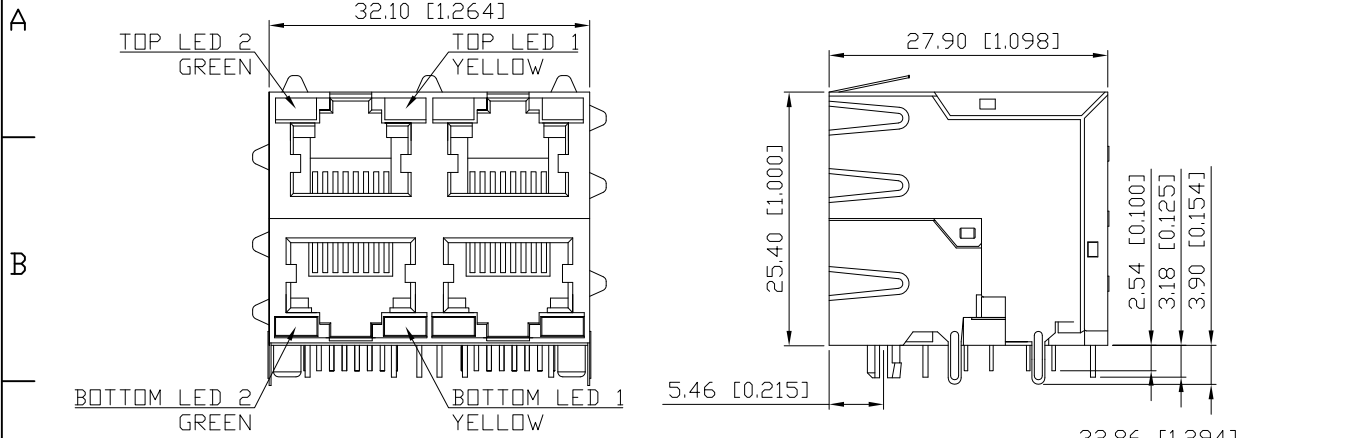
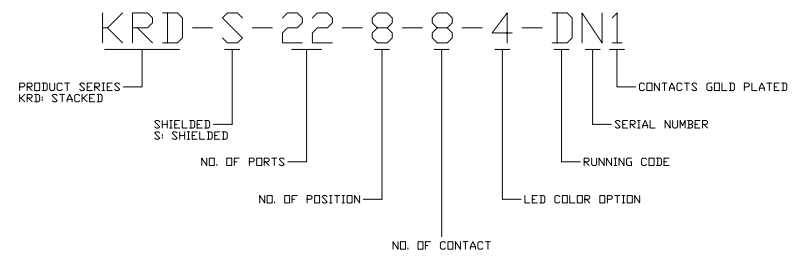
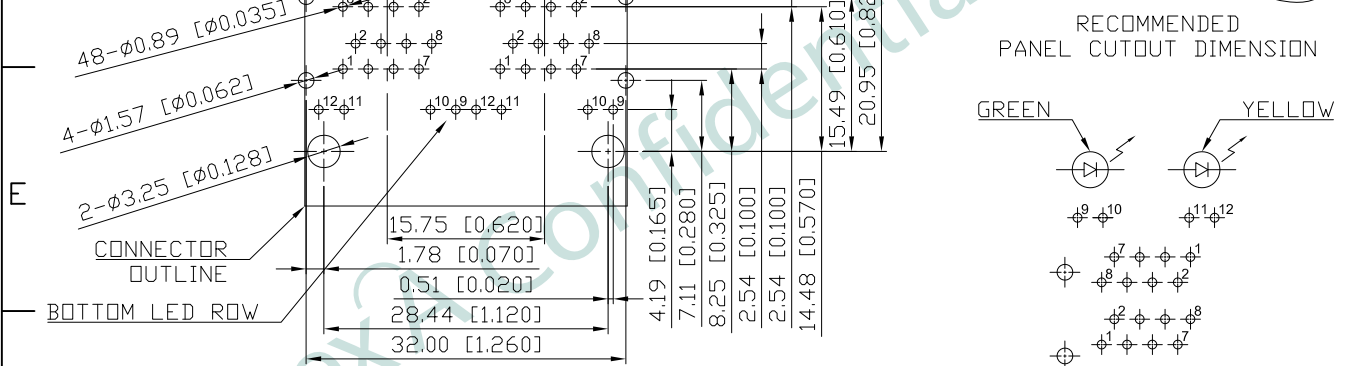
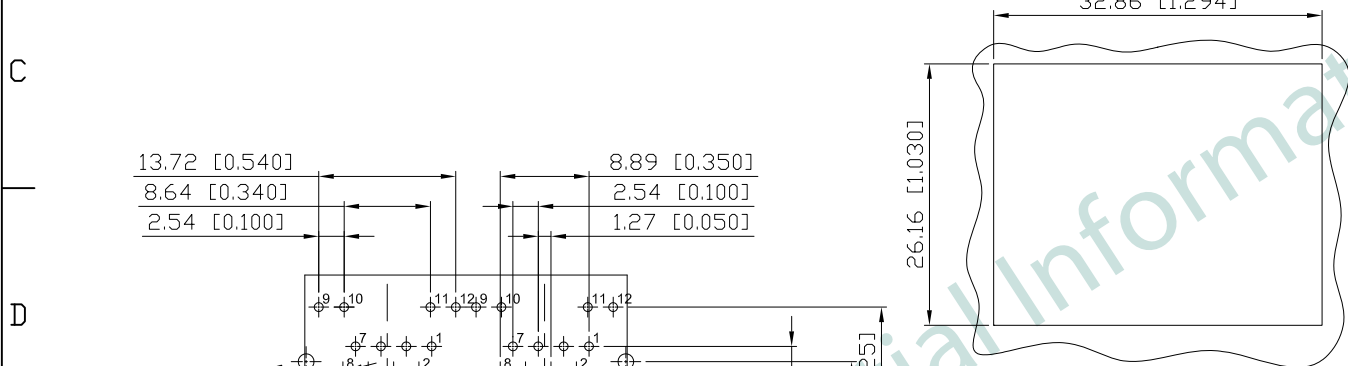


1. MECHANICAL DIMENSIONS :

REV.	DATE	DESCRIPTION
A	Dec. 20, '16	1st RELEASE

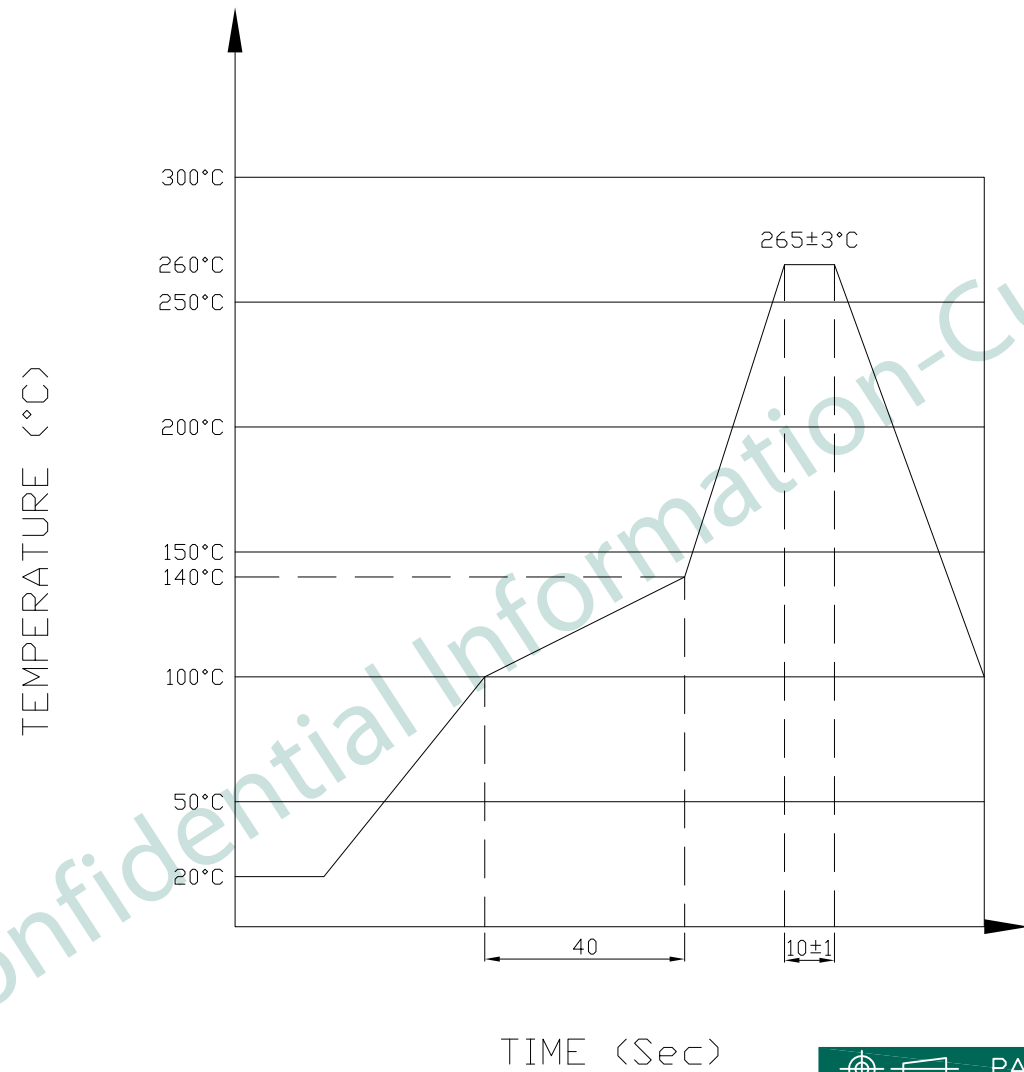


- NOTES:
- MATERIAL:
HOUSING: HIGH TEMP. THERMOPLASTIC, UL94V-0, BLACK
CONTACTS: T=0.35mm PHOS-BRONZE, PLATED 15u" GOLD ON CONTACT AREA, UNDERPLATED NICKEL ON ALL AREA, TIN ON TERMINATION END
SHIELD: T=0.25mm COPPER ZINC ALLOY, PLATED NICKEL
 - OPERATING TEMPERATURE: -40°C~+85°C
 - INSERTION FORCE: 4 POUNDS MAX.
EXTRACTION FORCE: 4 POUNDS MAX.
 - DURABILITY: 750 MATING CYCLED MIN.
 - CAVITY CONFORMS TO FCC RULES AND REGULATIONS PART 68, SUBPART F.
 - UNSPECIFIED TOLERANCE: .XX ±0.25[0.010]
.X ±0.30[0.012]



PART NO		KRD-S-22-8-8-4-DN1		
TITLE	RJ45 2X2 8P8C, W/LED, SHIELDED, STACKED TYPE			
REV : A				
UNIT	DRAWN	CHKD	DATE	SHEET
mm[inch]	DANIEL	RYAN	Dec. 20, '16	1 of 2

2. PROFILE OF WAVE SOLDER :



The measuring point for the specified temperature shall be on the soldered part of the lead

PART NO KRD-S-22-8-8-4-DN1				
TITLE	RJ45 2X2 8P8C, W/LED, SHIELDED, STACKED TYPE			
REV : A				
UNIT	DRAWN	CHKD	DATE	SHEET
mm[inch]	DANIEL	RYAN	Dec. 20, '16	2 of 2