

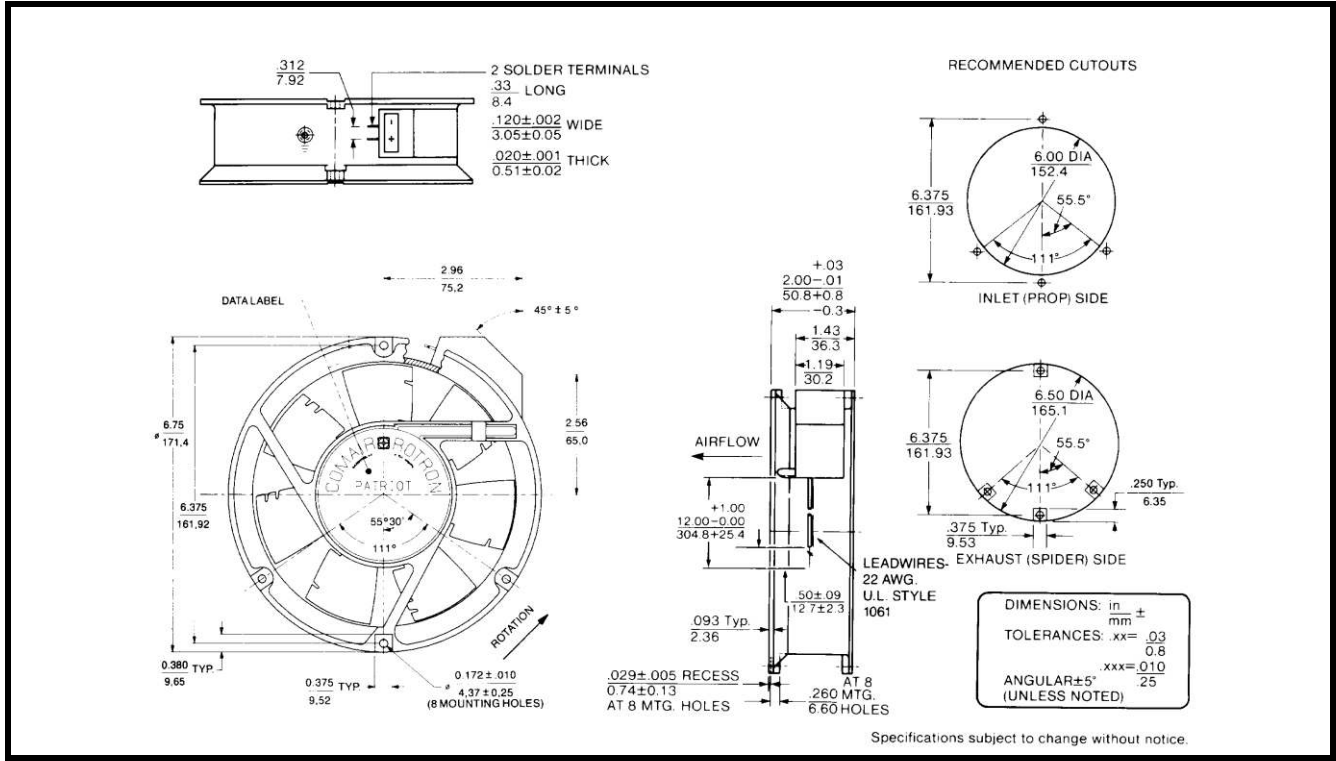
SPECIFICATIONS



Model Number: PQD24U3E2X-E3
Part Number: 17001197A

Version: 00
Jun 12, 2018

Mechanical Drawing:



Motor:

Nominal Voltage = 24 VDC
 Operating Voltage Range = 16 - 32 VDC
 Nominal Running Current = 1.70amps
 Locked Rotor Current = 3.5A
 Running Power = 40.8 watts
 Average Speed = 4830 RPM
 Bearings = Ball
 Air Flow = 332 CFM
 Acoustic = 64 dBA

Construction:

Venturi: Die-Cast Aluminum, Black
 Propeller: Polycarbonate, Black, UL 94V-0

Life Expectancy:

This fan is designed for continuous duty life of 58,000 hours at 70C.

Termination:

12"±1" (304.8±25.4mm) 22AWG UL1061 Leadwires
 Red = Power(+)
 Black = Return(-)
 Blue/White = Tach output
 Yellow = PWM control

Additional Features:

Brushless DC Motor
 Soft Start Inrush Current
 Electronic Locked Rotor Protection
 Polarity Protected
 Automatic Restart Capability
 Operating Temperature: -10°C to 70°C
 Storage Temperature: -40°C to 85°C
 Environmental Protection: Type 3(IP68)

Tachometer Specifications:

Output: Open Collector
 Ic: 20 mA. Max
 Vcc: 32 VDC Max.
 Pulses per Revolution: 2
 Isolated: No

Speed Control:

PWM: 200 ~ 2 KHz, Open Collector
 <10% Duty: Off
 10%~95% Duty: Linear Ramp
 >95% Duty or Open Lead Wire: Full Speed

Agency Approvals:

UL, CUL, CE

PQ Curve:

