

4

3

2

1

THIS DRAWING IS UNPUBLISHED.

RELEASED FOR PUBLICATION AUG ,2006.

© COPYRIGHT 2009 BY TYCO ELECTRONICS CORPORATION. ALL RIGHTS RESERVED.

LOC
DWDIST
/

REVISIONS

P	LTR	DESCRIPTION	DATE	DWN	APVD
	A	RELEASED.	20DEC10	JC	WK

NOTE:

1. MATERIAL:

HOUSING: HTN WITH 30% GF, UL 94V-0, BLACK COLOR.

SPACER: HTN WITH 30% GF, UL 94V-0, BLACK COLOR.

USB2.0 CONTACT: PHOSPHOR BRONZE, 0.25±0.05mm THICKNESS.

USB3.0 CONTACT: BRASS. 0.20±0.05mm THICKNESS.

FRONT SHELL: STAINLESS STEEL, 0.30±0.05mm THICKNESS.

REAR SHELL: STAINLESS STEEL, 0.20±0.05mm THICKNESS.

2. FINISH:

CONTACT: 0.762µm [30µ"] MIN. GOLD PLATING ON CONTACT AREA,
3.048µm [120µ"] MIN. MATTE TIN PLATING ON SOLDER TAILS,
WITH 1.27µm [50µ"] MIN. NICKEL UNDERPLATED
ON ENTIRE CONTACT.

SHELL: 0.762µm [30µ"] MIN. NICKEL PLATED OVER

0.762µm [30µ"] MIN. Cu UNDERPLATING OVERALL.

3. REFLOW SOLDER CAPABLE TO 260°C PER TE SPEC 109-201,
CONDITION B.

4. DATE CODE: YYWWD

5. NO PIN MARK ON PRODUCT.

6. LOW HALOGEN SPECIFICATION:

CHLORINE(Cl): 900ppm MAX.

BROMINE(Br): 900ppm MAX.

△ NO BOARD LOCK FUNCTION APPLICATION.

TE LOGO & DATE CODE

13.10

14.50

HOUSING

FRONT SHELL

12.50

4.00 TYP.

2.00 TYP.

1.00 TYP.

3.50 TYP.

15.7

REAR SHELL

15.87

1.04

3.90

1.80

9 PLC

7.12

5.12

1.30

2 PLC

1.50

TYP.

6.80

0.93

12.15

USB3.0 CONTACT

USB2.0 CONTACT

15.70

-Y-

4.00

2 PLC.

2.00

2 PLC.

0.60

4 PLC

2.30

2 PLC

6.80

-X-

R0.50

1.00

2 PLC.

3.50

2 PLC.

1.50

2 PLC

1.13 MAX.

10.77 MAX.

1.50

0.93

13.70 MIN.

P.C.B. EDGE

∅0.70^{+0.08}₋₀

±0.05 X Y

9 PLC

RECOMMEND P.C.B LAYOUT (THICKNESS=1.2mm)

△ (COMPONENT SIDE) TOLERANCE±0.05

1.80

2PLC

1.0

2PLC

1.80

4PLC

2.15

2PLC

TAPE & REEL	2041179-1
PACKAGING	PART NUMBER

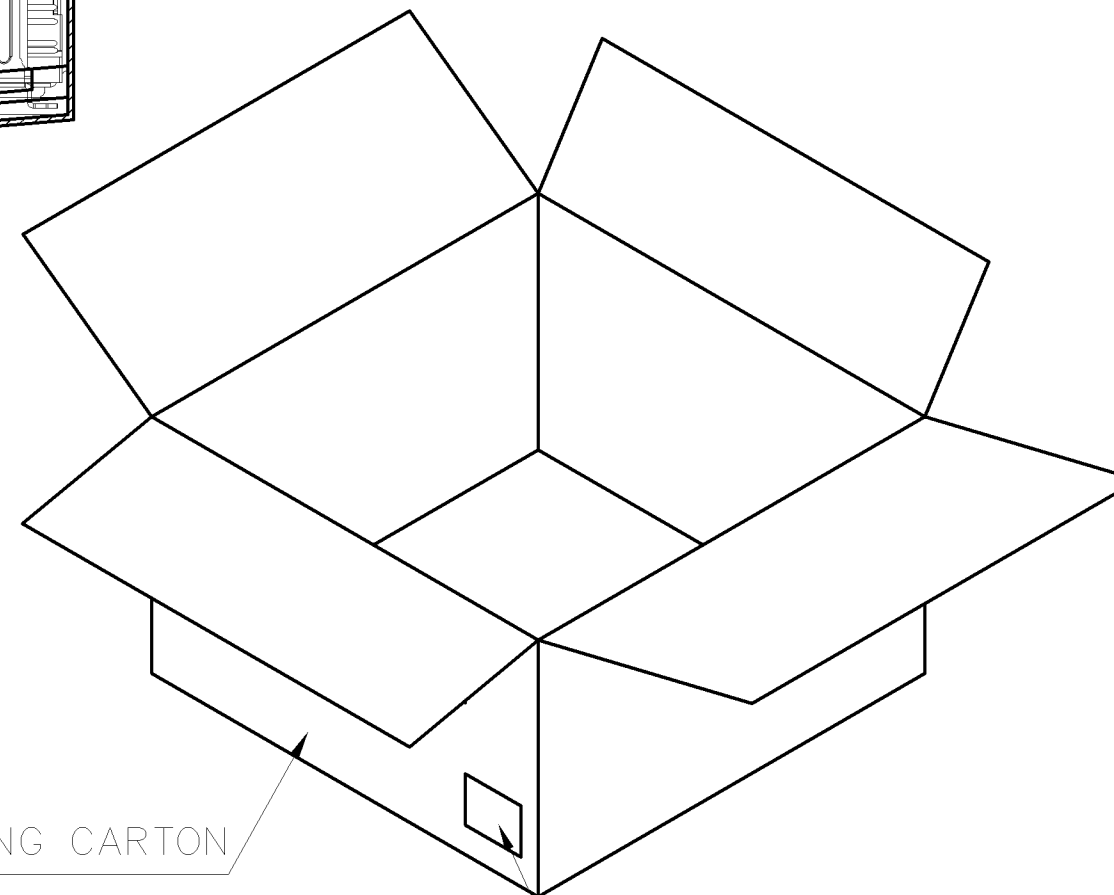
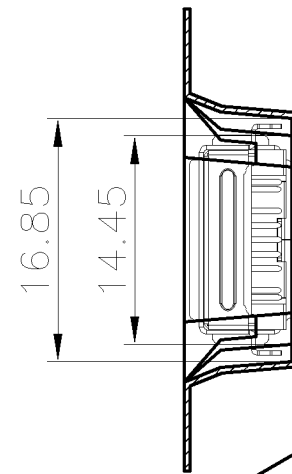
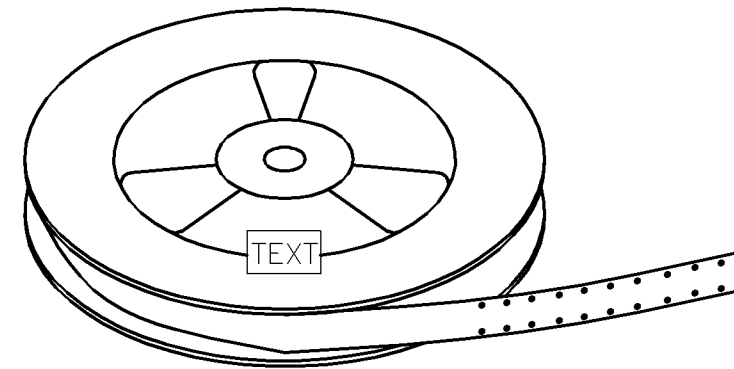
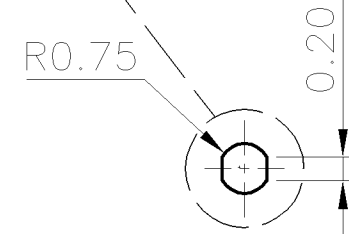
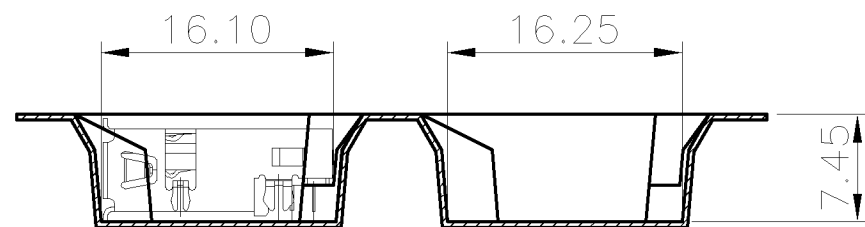
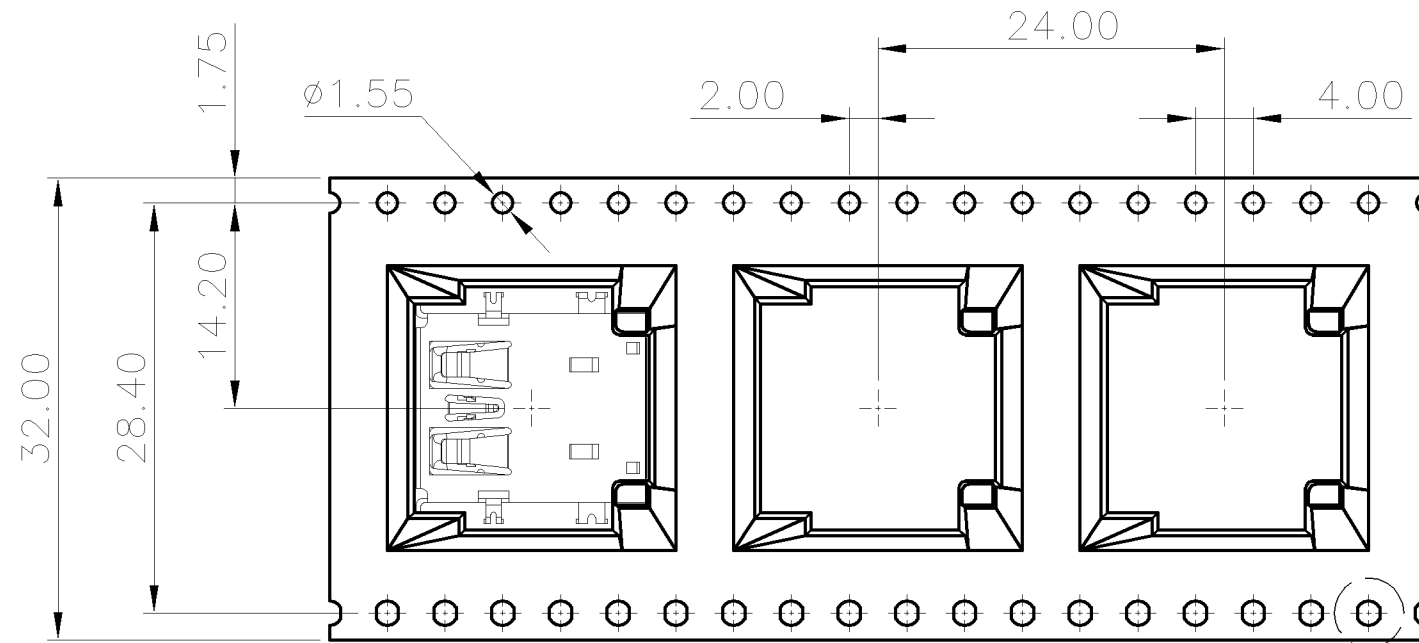
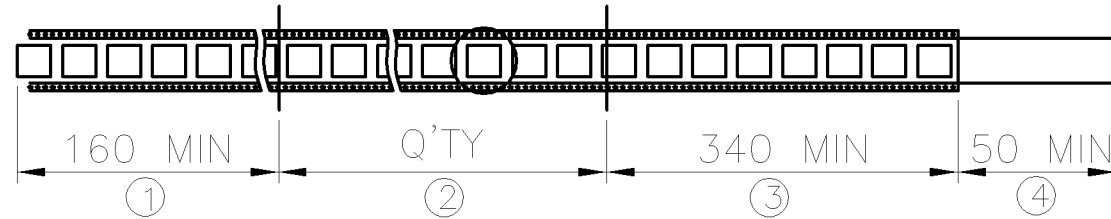
THIS DRAWING IS A CONTROLLED DOCUMENT.		DWN J. CHEN 20DEC2010	Tyco Electronics Corporation Tyco Electronics Taipei, Taiwan	
DIMENSIONS: MM		CHK S. CHIEN 20DEC2010	NAME	
TOLERANCES UNLESS OTHERWISE SPECIFIED:		APVD W. KODAMA 20DEC2010	PRODUCT SPEC	
0 PLC ± -		108-57791		
1 PLC ± 0.35		APPLICATION SPEC		
2 PLC ± 0.25		SIZE CAGE CODE DRAWING NO RESTRICTED TO		
3 PLC ± 0.15		A3 00779 C=2041179		
4 PLC ± -		SCALE SHEET 1 OF 2 REV A		
ANGLES ± 3°		CUSTOMER DRAWING		
MATERIAL SEE NOTE		FINISH SEE NOTE		

AMP 1470-19 REV 31MAR2000

LOC DW DIST

P		LTR	DESCRIPTION	DATE	DWN	APVD
-		-	SEE SHEET 1.	-	-	-

PULL OUT DIRECTION

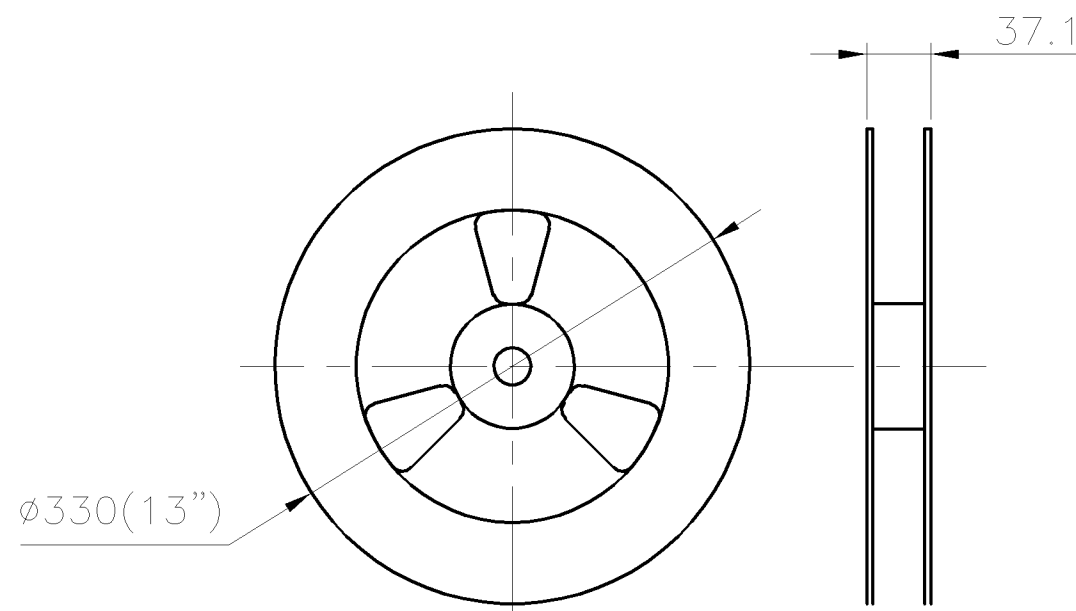


SHIPPING CARTON

LABEL

NOTES:

- 1.MATERIAL:
REEL: PS.
CARRIER: PS.
COVER TAPE: PBT.
- 2.DIMENSION
REEL: 330mmX37.1mm
- 3.PEELING STRENGTH: 0.1~1.3N(10.2g~132.5g)
- 4.PEELING SPEED: 300MM/MIN.



9.46 Kg	4.86 Kg	300	9	2700 PCS	2041179-1
GROSS WEIGHT	NET WEIGHT	PCS/REEL	REELS /CARTON	QUANTITY	PART NUMBER

THIS DRAWING IS A CONTROLLED DOCUMENT.		DWN	Tyco Electronics Corporation Taipei, Taiwan		
DIMENSIONS: MM		CHK	NAME		
TOLERANCES UNLESS OTHERWISE SPECIFIED: 0 PLC ± - 1 PLC ± - 2 PLC ± - 3 PLC ± - 4 PLC ± - ANGLES ± -		APVD	USB 3.0 STANDARD TYPE A, RECEPTACLE, CL:1.04mm		
MATERIAL		PRODUCT SPEC	SIZE	CAGE CODE	DRAWING NO
FINISH		APPLICATION SPEC	A3	00779	C=2041179
		WEIGHT	RESTRICTED TO		
		CUSTOMER DRAWING	SCALE	SHEET	REV
			-	2 OF 2	A