

# CLIFF

## SPRING TERMINALS

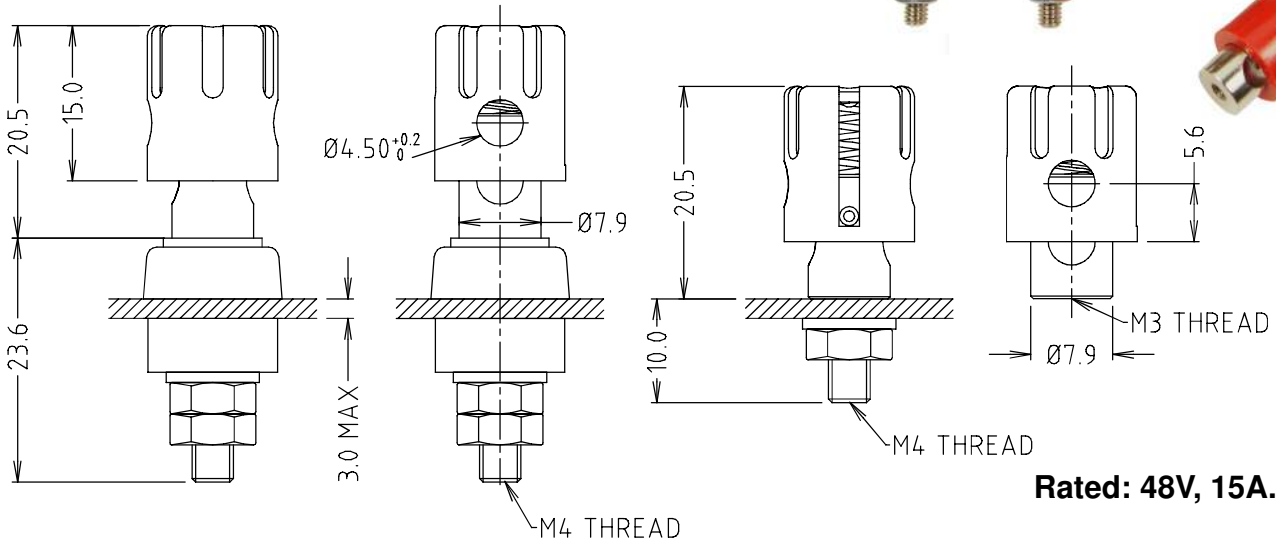
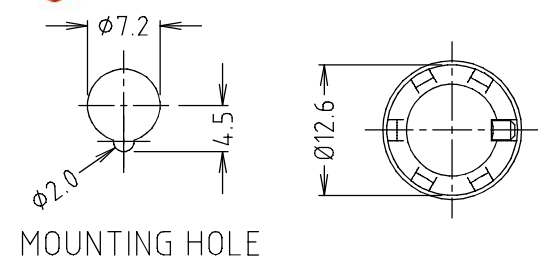
Our family of spring terminals are made from ABS / Brass with a Nickel plated finish.



- CL681560** SPRING TERMINAL M4L SPT3 RED
- CL681561** SPRING TERMINAL M4L STP3 BLACK
- CL681562** SPRING TERMINAL M4L STP3 BLUE
- CL681563** SPRING TERMINAL M4L STP3 GREEN
- CL681564** SPRING TERMINAL M4L STP3 WHITE
- CL681565** SPRING TERMINAL M4L STP3 YELLOW



- CL681570** SPRING TERMINAL M4S SPT2 RED
- CL681571** SPRING TERMINAL M4S STP2 BLACK



**Rated: 48V, 15A. max.**

© CLIFF 02/19 ISS.3

For further information, contact [sales@cliffuk.co.uk](mailto:sales@cliffuk.co.uk)

**Cliff Electronic Components Limited,**  
76 Holmethorpe Avenue, Holmethorpe Ind. Estate,  
Redhill, Surrey RH1 2PF U.K.  
Tel: +44 (0)1737 771375 Fax: +44 (0)1737 766012



[www.cliffuk.co.uk](http://www.cliffuk.co.uk)