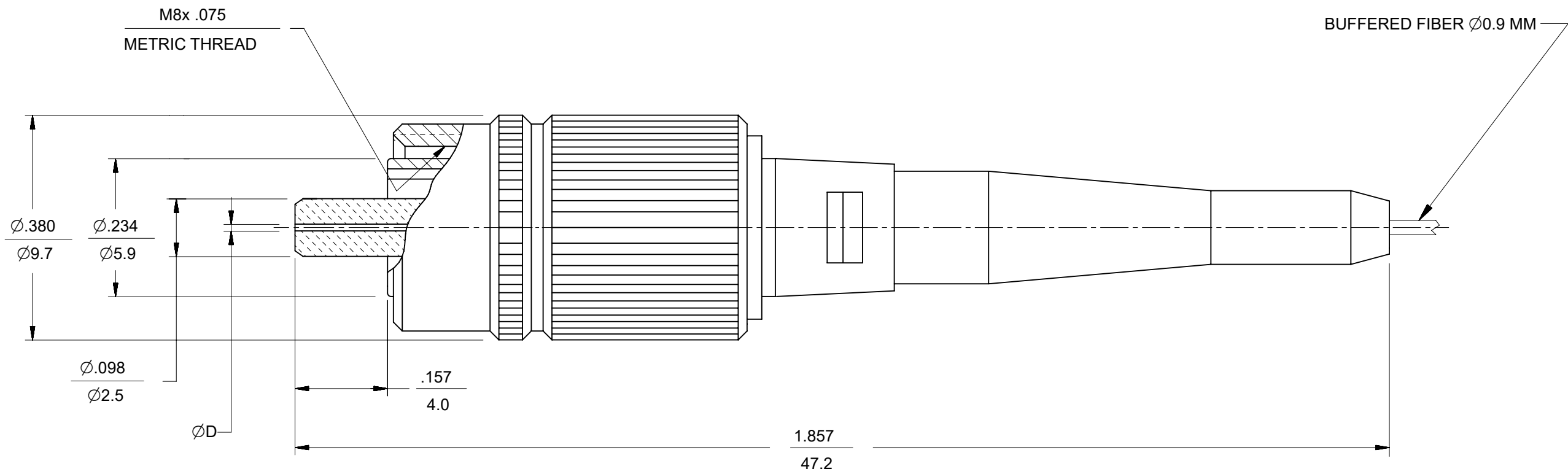


FCII CONNECTOR P/N	øD (µm)	BOOT COLOR	CABLE TYPE
106053-2500	125.5	YELLOW	SINGLE MODE
106053-3500	128	BLACK	MULTIMODE



PRE-RELEASE
REFERENCE
USE ONLY

NOTES:
1. DUST CAP IS NOT SHOWN.

THIS DRAWING CONTAINS INFORMATION THAT IS PROPRIETARY TO MOLEX ELECTRONIC TECHNOLOGIES, LLC AND SHOULD NOT BE USED WITHOUT WRITTEN PERMISSION											
DIMENSION UNITS mm		SCALE 1:1		CURRENT REV DESC: OBSOLETE PART NUMBERS AS PER PCN#506884				molex			
GENERAL TOLERANCES (UNLESS SPECIFIED)				FC CONNECTOR (BARE FIBER)							
		MM	INCH	EC NO: 662763				PRODUCT CUSTOMER DRAWING			
4 PLACES ±				DRWN: SKANDB 2021/01/21				DOCUMENT NUMBER			
3 PLACES ±				CHK'D: GGA 2021/06/01				SD-106053-X5X0			
2 PLACES ±				APPR: GGA 2021/06/01				DOC TYPE DOC PART REVISION			
1 PLACE ±				INITIAL REVISION:				PSD 001 D			
0 PLACES ±				DRWN: RPACIFICI 2005/12/22				MATERIAL NUMBER CUSTOMER SHEET NUMBER			
ANGULAR TOL ± 0.5°				THIRD ANGLE PROJECTION		DRAWING		SERIES		SEE TABLE GENERAL MARKET 1 OF 1	
DRAFT WHERE APPLICABLE MUST REMAIN WITHIN DIMENSIONS				THIRD ANGLE PROJECTION		DRAWING		SERIES		SEE TABLE GENERAL MARKET 1 OF 1	

DOCUMENT STATUS	P1	RELEASE DATE	2021/06/01	13:36:31
-----------------	----	--------------	------------	----------