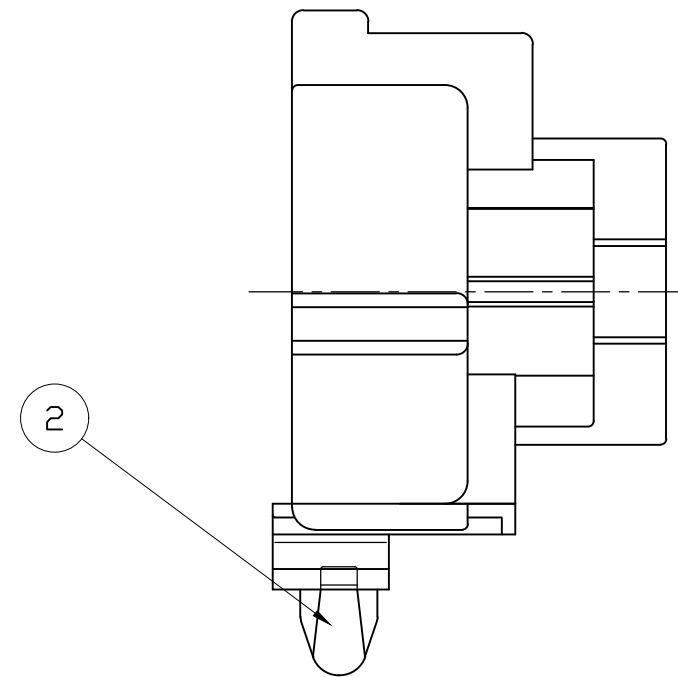
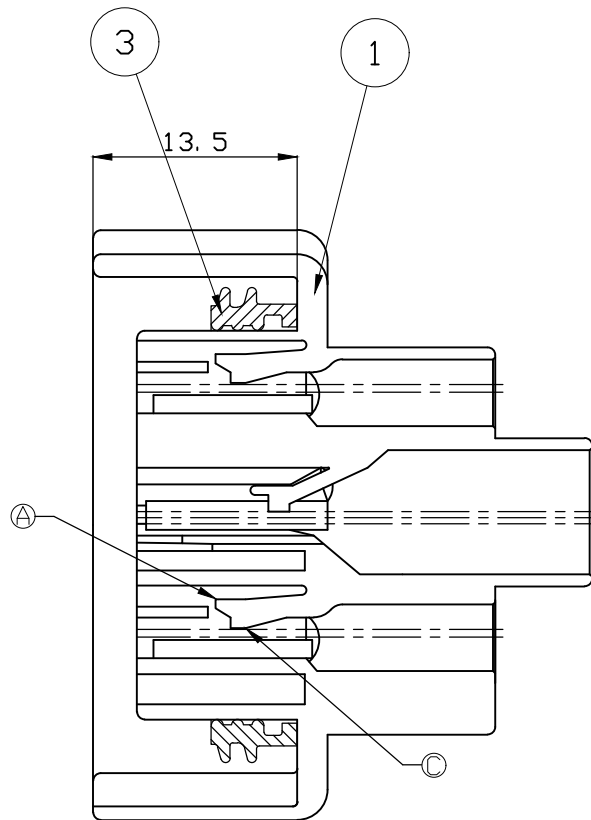
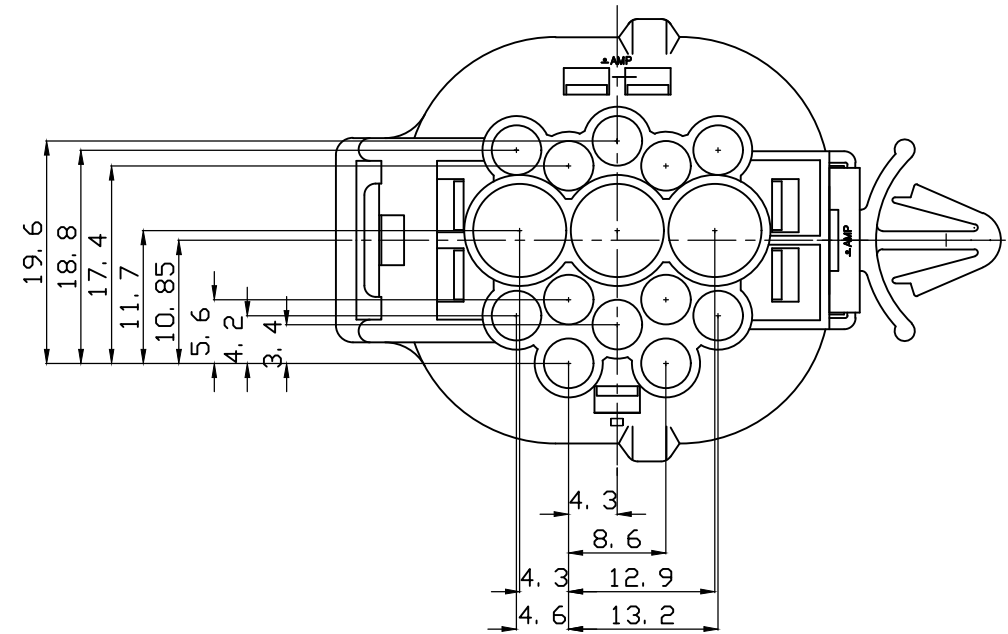
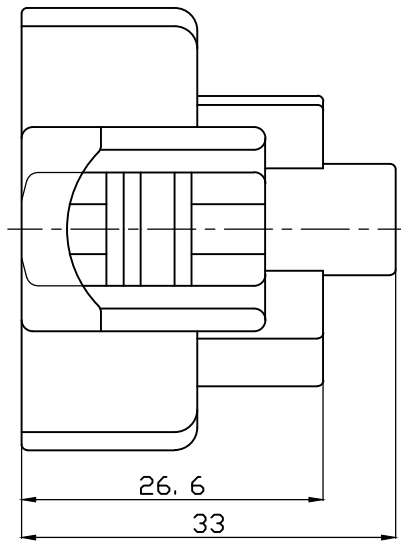
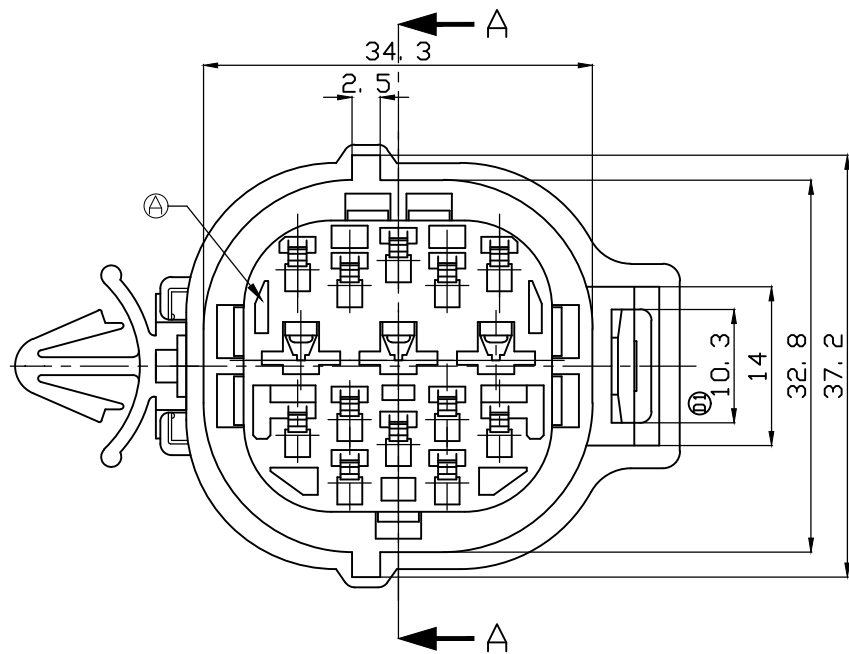


P	LTR	DESCRIPTION	DATE	DWN	APVD
	D2	REVISED	ECR-20-002938	20JUL2020	VI SPB



NOTES

- FOR CAP HOUSING (P/N: 85264)
- THIS PART MUST BE USED WITH DOUBLE LOCK PLATE (P/N: 85223)
- APPLY P/N 85263-1(EJ MKII + 15P PLUG HSG) AND 172745-1(SEAL RING FOR EJ MKII + 15P PLUG HSG) TO ASSEMBLY P/N 2-85262-1.

CUSTOMER PART NUMBER (H 700)	NO	COLOR	MATERIAL	DESCRIPTION	PART. NO	REV	Q' TY
5	BLACK	NBR	SEAL RING FOR EJ MKII(+15Pos PLUG HSG	172745-1	A	1	1
4	BLACK	PA66	CLIP HSG FOR EJ MKII(+15Pos PLUG HSG	368121-1	□		1
3	BLACK	PA66	CLIP HSG FOR EJ MKII(+15Pos PLUG HSG	85229-1	□		1
2	GRAY	PBT	EJ MKII(+15Pos PLUG HSG	85263-5	C	1	1
1	BLACK	PBT	EJ MKII(+15Pos PLUG HSG	85263-1	C	1	1

OBSOLETE

SECTION A-A

TOLERANCES UNLESS OTHERWISE SPECIFIED:

0 <XX<10	± 0.2
10<XX<30	± 0.25
30<XX	± 0.3
ANGLES	± 3°

THIS DRAWING IS A CONTROLLED DOCUMENT.

DIMENSIONS: mm	TOLERANCES UNLESS OTHERWISE SPECIFIED:
	0 PLC ± -
	1 PLC ± -
	2 PLC ± -
	3 PLC ± -
	4 PLC ± -
	ANGLES ± -
MATERIAL: SEE TABLE	FINISH: -

DWN: JM JEON	CHK: JW JUNG	APVD: HG CHO	PRODUCT SPEC	APPLICATION SPEC	WEIGHT: 0	SIZE: A3	CAGE CODE: 00779	DRAWING NO: C-85262	RESTRICTED TO: -	
<p>070/250 15P PLUG ASS'Y ECONOSEAL J-MARKII CONN.</p>								SCALE: 1:1	SHEET: 1 OF 1	REV: D2