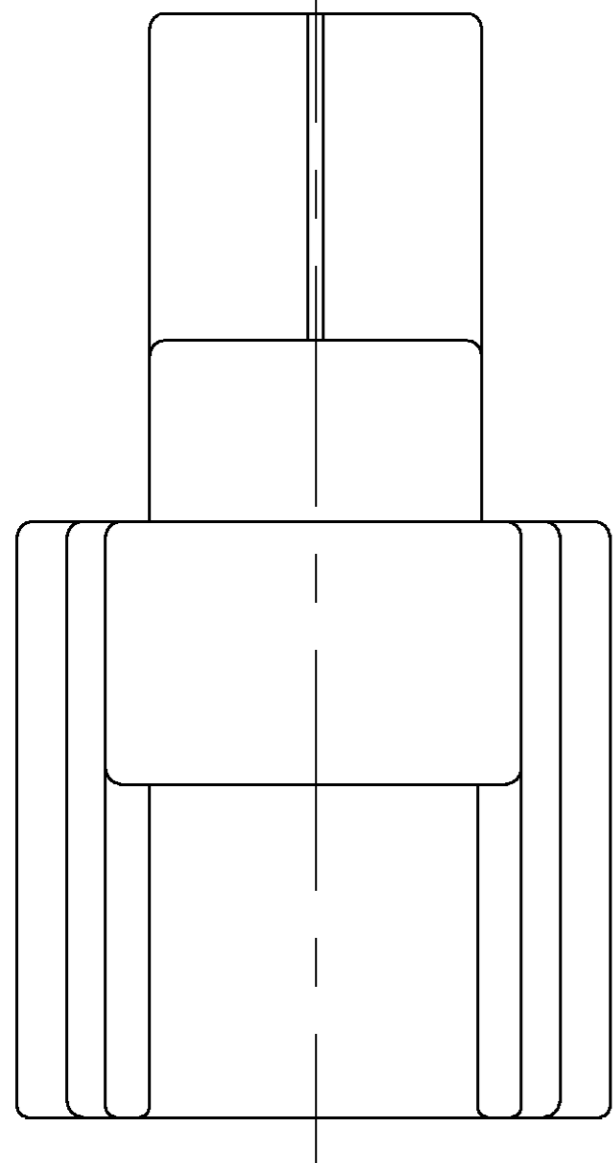
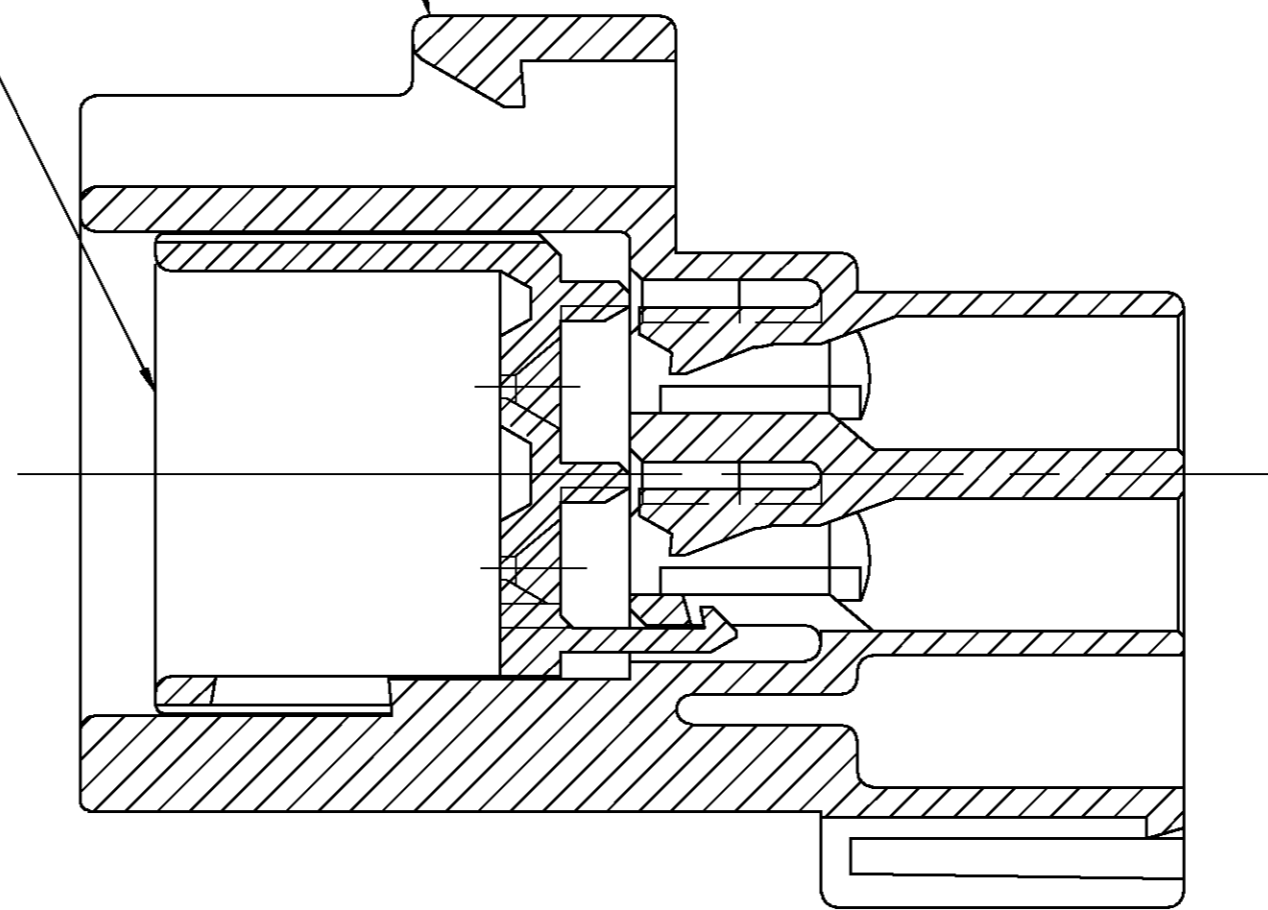


THIS DRAWING IS UNPUBLISHED. RELEASED FOR PUBLICATION
 © COPYRIGHT BY TYCO ELECTRONICS CORPORATION. ALL RIGHTS RESERVED.

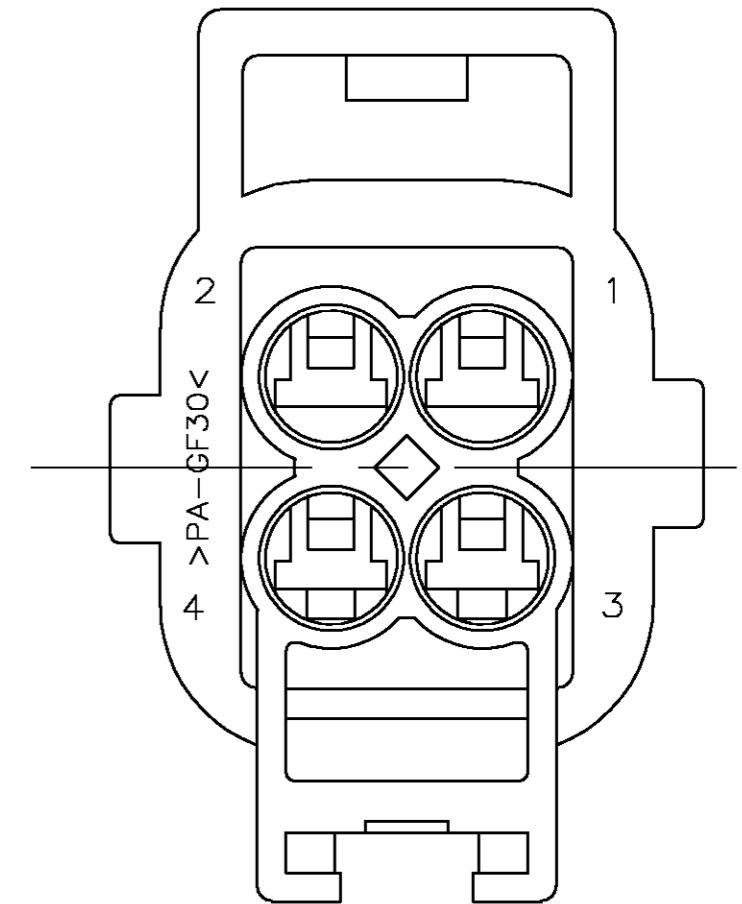
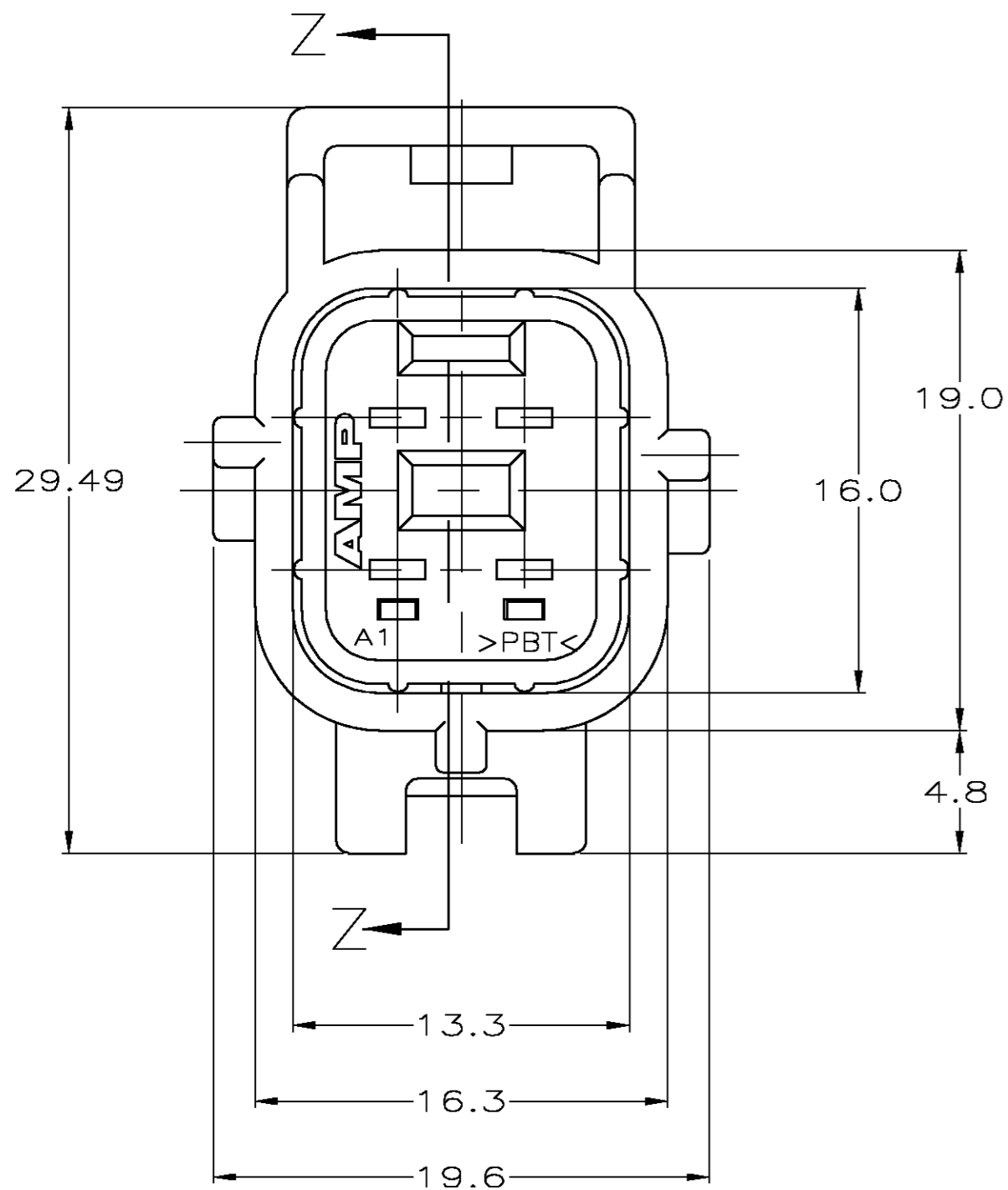
LOC	DIST	REVISIONS					
GE	00	P	LTR	DESCRIPTION	DATE	DWN	APVD
		D		EC 0K40-0014-03	03FEB03	JRB	KLC



DBL LOCK PLATE, CAP
 MATL: PBT, 15% GLASS FILLED
 CAP HOUSING
 MATL: 4/6 NYLON, 30% GLASS FILLED



SECTION Z-Z
 SCALE 4:1



BLACK	184246-1
CAP COLOR	PART NUMBER

THIS DRAWING IS A CONTROLLED DOCUMENT.		DWN	K LYTLE	04/18/96	 Tyco Electronics Corporation Harrisburg, PA 17105-3608
DIMENSIONS: MM		CHK	CT HYRB	04/26/96	
TOLERANCES UNLESS OTHERWISE SPECIFIED:		APVD	CT HYRB	04/26/96	NAME
0 PLC	± -	PRODUCT SPEC	2 x 2 CAP ASY, KEY A-C4		
1 PLC	± 0.3	APPLICATION SPEC	-		
2 PLC	± 0.30	WEIGHT	-		
3 PLC	± -	CUSTOMER DRAWING	SCALE	4:1	RESTRICTED TO
4 PLC	± -		SIZE	A2	
ANGLES	± -		CAGE CODE	00779	
FINISH	-		DRAWING NO	C=184246	
			SHEET	1	OF 1
			REV	D	

184246-1