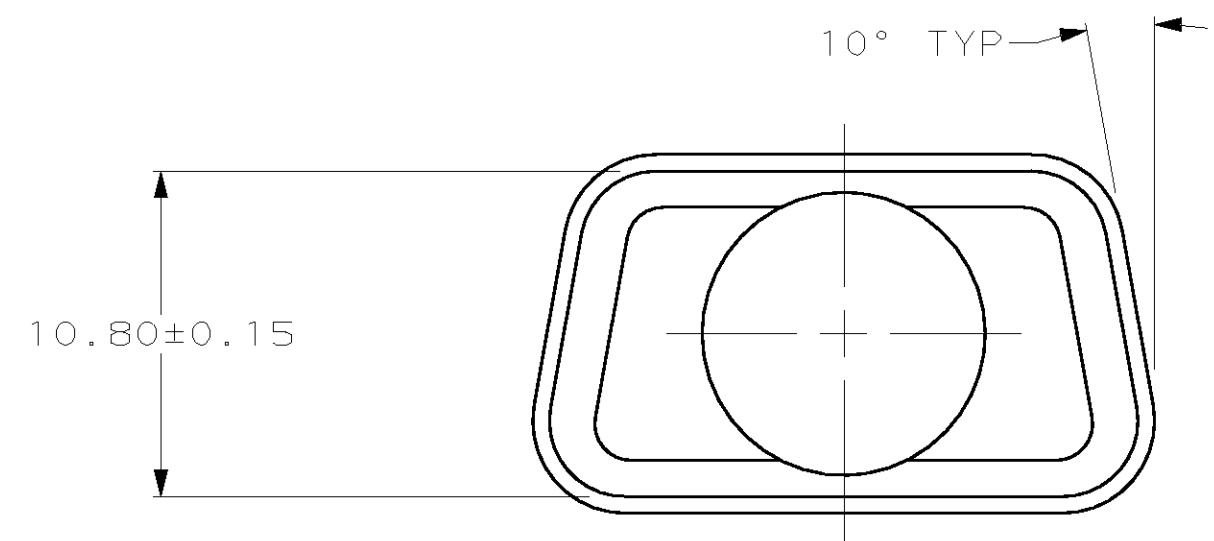
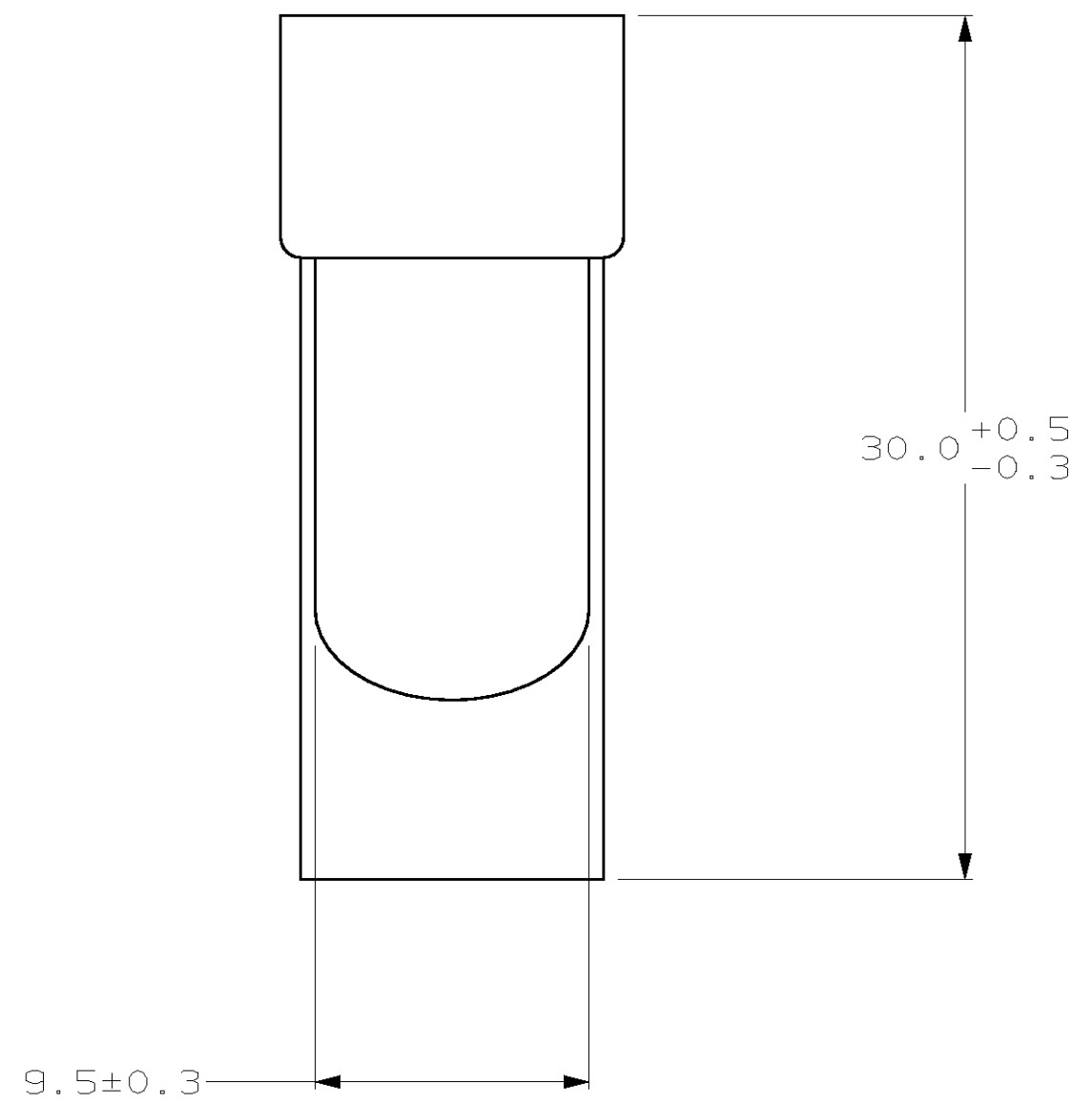
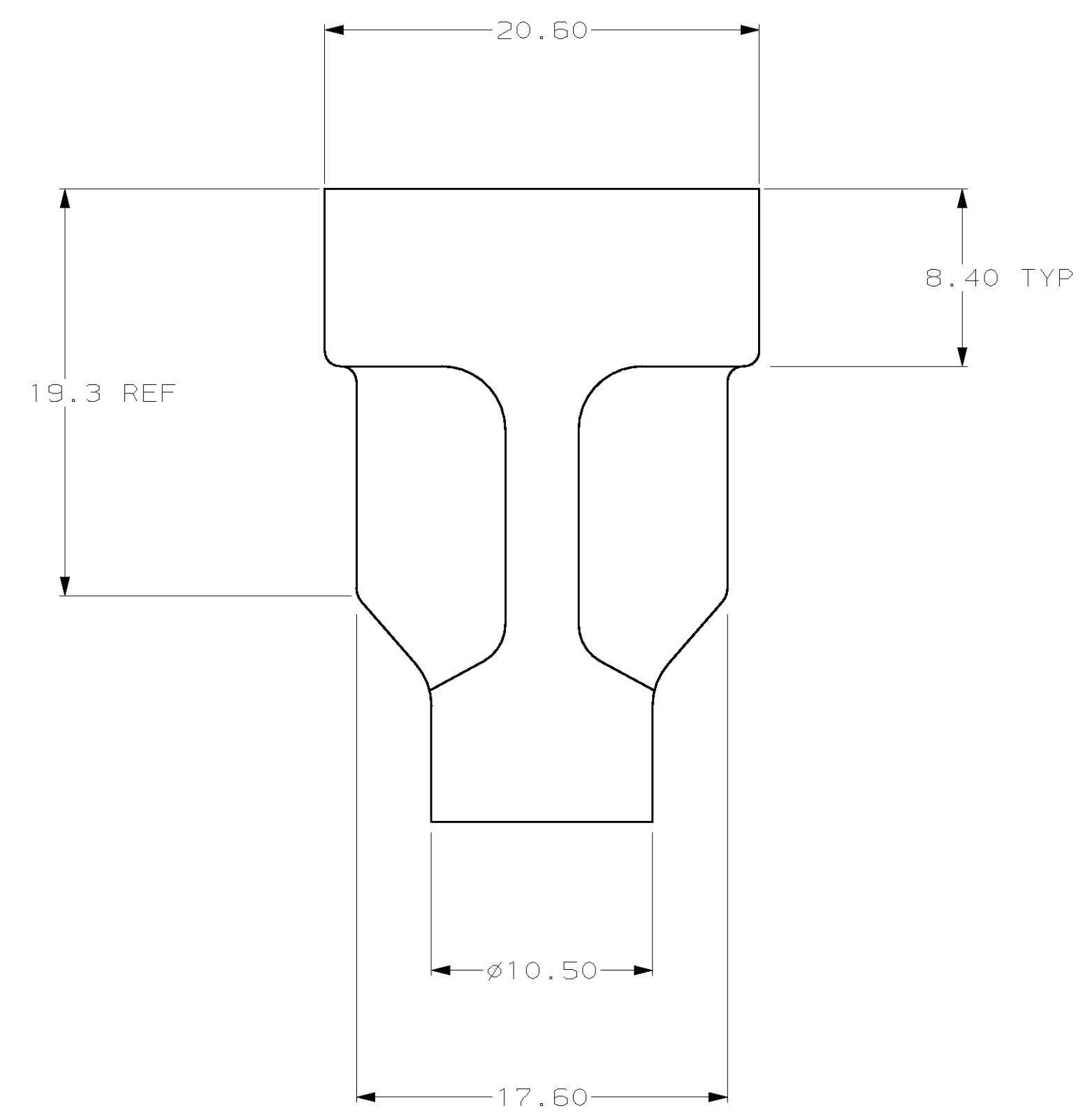


THIS DRAWING IS UNPUBLISHED. RELEASED FOR PUBLICATION .19  
 BY AMP INCORPORATED. ALL RIGHTS RESERVED.

| LOC | DIST | REVISIONS   |                        |           |       |
|-----|------|-------------|------------------------|-----------|-------|
| P   | LTR  | DESCRIPTION | DATE                   | DWN       | APVD  |
| BD  | 48   | 0           | RELEASED               | 19 AUG 96 | DB 5B |
|     |      | A           | REV PER EC 0320-53-96  | 12 SEP 96 | BC DM |
|     |      | B           | REV PER EC 0640-229-98 | 10 MAY 99 | DH AF |
|     |      | C           | REV PER EC 001D-80-00  | 20 MAR 00 | DB DK |



- 1 CARBON STEEL.
- 2 2.03 μm MIN TIN OVER 0.76 μm MIN COPPER.
- 3. ALL DIMENSIONS ARE NOMINAL UNLESS OTHERWISE SPECIFIED.
- 4. THESE SHIELDS ARE NOT INTENDED FOR USE WITH ANY COMMERCIAL CONNECTORS.



787593-2  
 PART NUMBER

|   |  |                                 |   |
|---|--|---------------------------------|---|
| THIS DRAWING IS A CONTROLLED DOCUMENT.                                    |  | DWN<br>D. BROCKWAY<br>19 AUG 96 | AMP Incorporated<br>Harrisburg, PA 17105-3608                         |
| DIMENSIONS:<br>mm   |  | CHK<br>S. BRINSER<br>19 AUG 96  |   |
| TOLERANCES UNLESS OTHERWISE SPECIFIED:                                    |  | APVD<br>S. BRINSER<br>19 AUG 96 | NAME<br>SHIELDING HARDWARE,<br>1 PIECE, ECONOMY,<br>SIZE 1, AMPLIMITE |
| 0 PLC ±-<br>1 PLC ±-<br>2 PLC ±0.10<br>3 PLC ±-<br>4 PLC ±-<br>ANGLES ±2° |  | PRODUCT SPEC<br>-               | SIZE<br>A2  |
| MATERIAL<br>1   |  | FINISH<br>2                     | CAGE CODE<br>00779  |
| CUSTOMER DRAWING  |  | WEIGHT<br>-                     | DRAWING NO<br>C-787593  |
|   |  | SCALE<br>4:1                    | SHEET<br>1 OF 1   |
|   |  |                                 | REV<br>C  |

787593