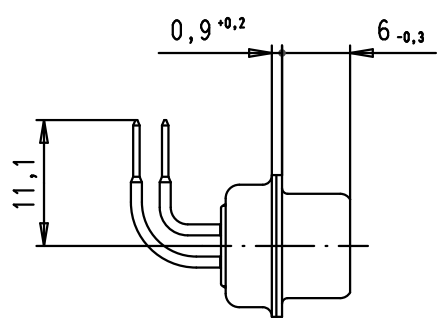
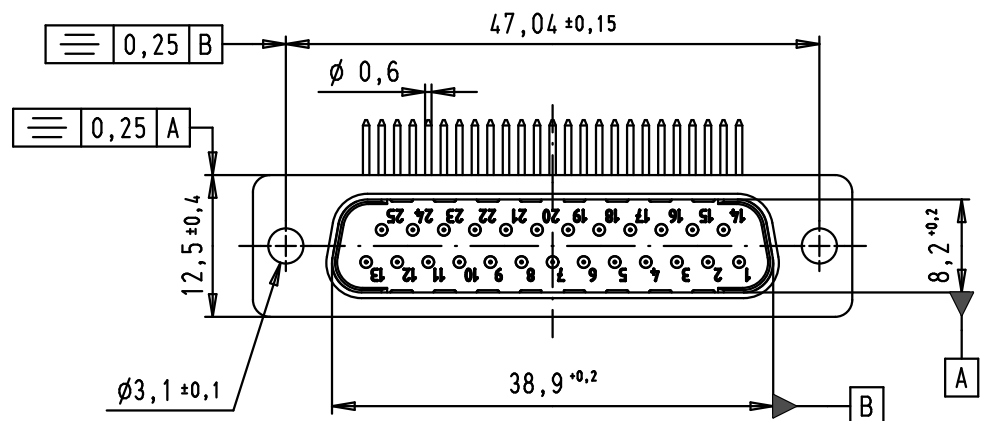


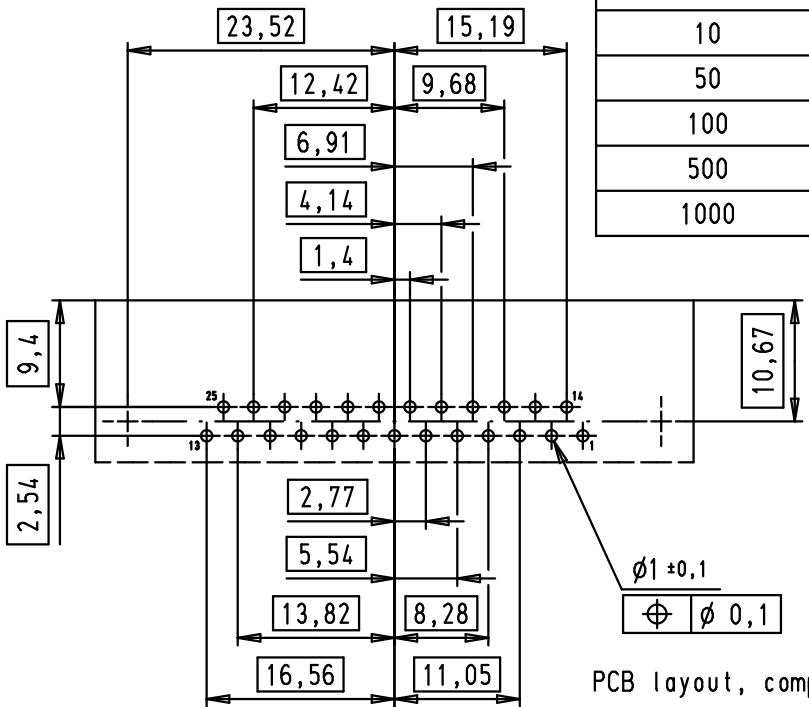
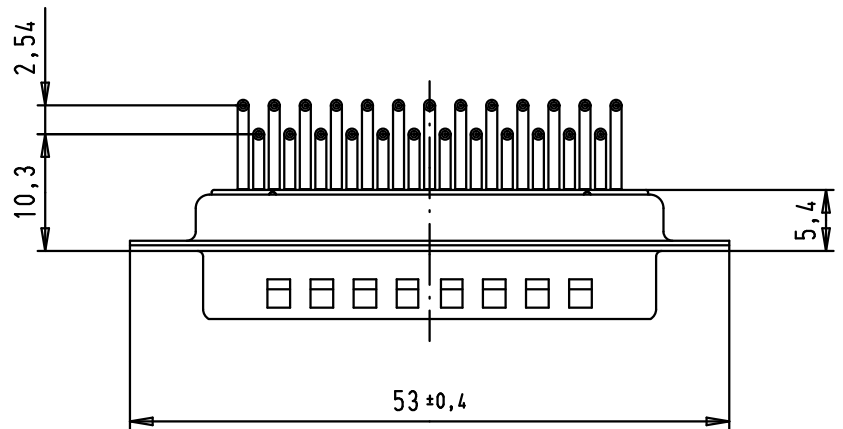
5 4 3 2 1



SPECIFICATIONS

Mating cycles	500
Filter type	C
Capacitance	3900 pF±20%
Working voltage	100 V
Current rating	7,5 A
Insulation resistance	>1 GΩ

FREQUENCY (MHz)	ATTENUATION (dB)
5	6
10	11
50	25
100	35
500	35
1000	32



PCB layout, component side

				Dot.	Name	<p>All Dim. in mm Orig. Size DIN A 4</p>
			Detail.	08/07/02	CV	
			Insp.			
			Stand.			
EC01003	25/11/09	PK				
33790	02/08/06	PK				
31058	08/07/02	CV				
Mod.	Dot.	Name	HARTING EURL F-95972 Paris			

D-Sub, male, angled, 25 poles, turned solder pins		Maßstab/ Scale 1,5:1
TB 09 64 324 7240		Blatt/ Page 1 / 1
Sub.		

D
C
B
A