

# FLX-D37F/32OSC/24DC/DI/TDC3K - Active module



2908888

<https://www.phoenixcontact.com/us/products/2908888>

Please be informed that the data shown in this PDF document is generated from our online catalog. Please find the complete data in the user documentation. Our general terms of use for downloads are valid.



Migration board for converting TDC3000 to modern control platforms, digital input, 32 channel, SSR

## Your advantages

- Panel mount to existing TDC3000 chassis
- Compatible with existing pluggable field wiring connectors
- DSUB control side connection
- Terminal blocks for power supply

## Commercial data

Item number	2908888
Packing unit	1 pc
Sales key	C421
Product key	CK21B3
GTIN	4055626733050
Weight per piece (including packing)	1,837.5 g
Weight per piece (excluding packing)	1,750 g
Customs tariff number	85176200
Country of origin	US

2908888

<https://www.phoenixcontact.com/us/products/2908888>

## Technical data

### Product properties

Product type	Interface module
--------------	------------------

### Insulation characteristics

Overvoltage category	II
Pollution degree	2

### Electrical properties

Supported controller HONEYWELL TDC3000

Suitable I/O card	TDID12
-------------------	--------

### Input data

Nominal input voltage $U_N$	24 V DC
Input voltage range	10 V DC ... 32 V DC
Typical input current at $U_N$	20 mA

### Output data

#### Switching

Maximum switching voltage	30 V DC
Limiting continuous current	50 mA
Error detection (line break / short-circuit)	no

### Connection data

#### Controller level

Connection method	D-SUB 37 female connector
Number of connections	2
Number of positions	37

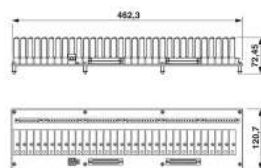
#### Field level

Connection method	pluggable
-------------------	-----------

### Signaling

Status display present	Yes
------------------------	-----

### Dimensions

Dimensional drawing	
---------------------	--

# FLX-D37F/32OSC/24DC/DI/TDC3K - Active module



2908888

<https://www.phoenixcontact.com/us/products/2908888>

Width	462.3 mm
Height	120.7 mm
Depth	72.45 mm

## Environmental and real-life conditions

### Ambient conditions

Ambient temperature (operation)	-40 °C ... 70 °C
Ambient temperature (storage/transport)	-40 °C ... 75 °C
Altitude	< 2000 m
Permissible humidity (operation)	< 90 %

## Mounting

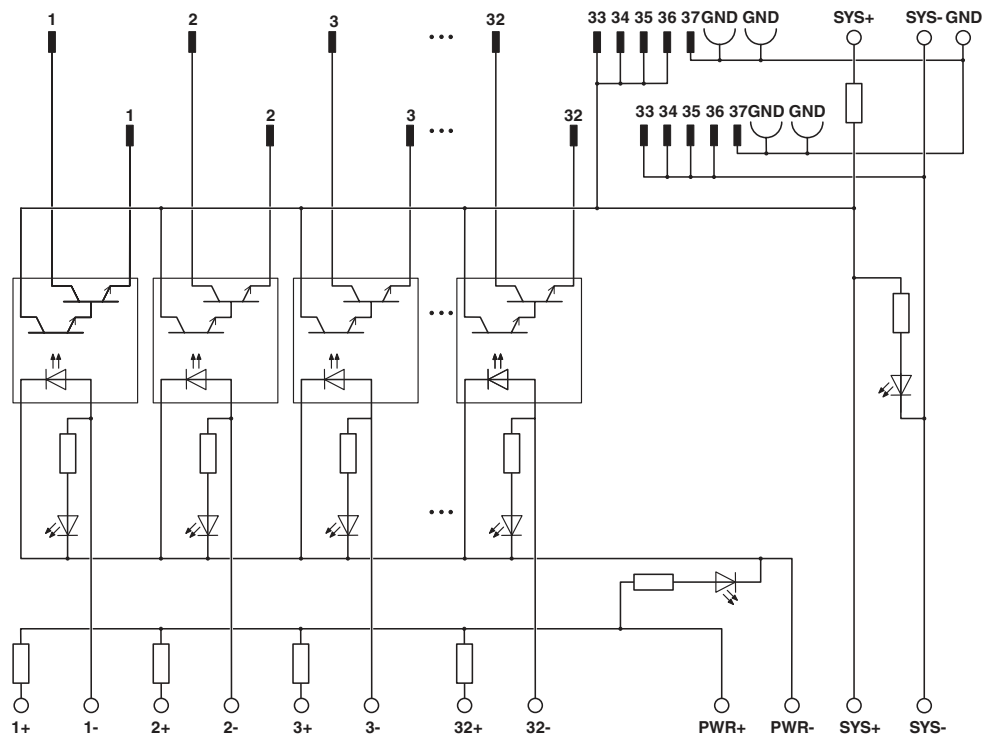
Mounting type	TDC3000 chassis
Mounting position	any

## Notes

General	For proper use, the specifications of the installation directive (see Downloads) must be observed.
---------	--

## Drawings

Circuit diagram



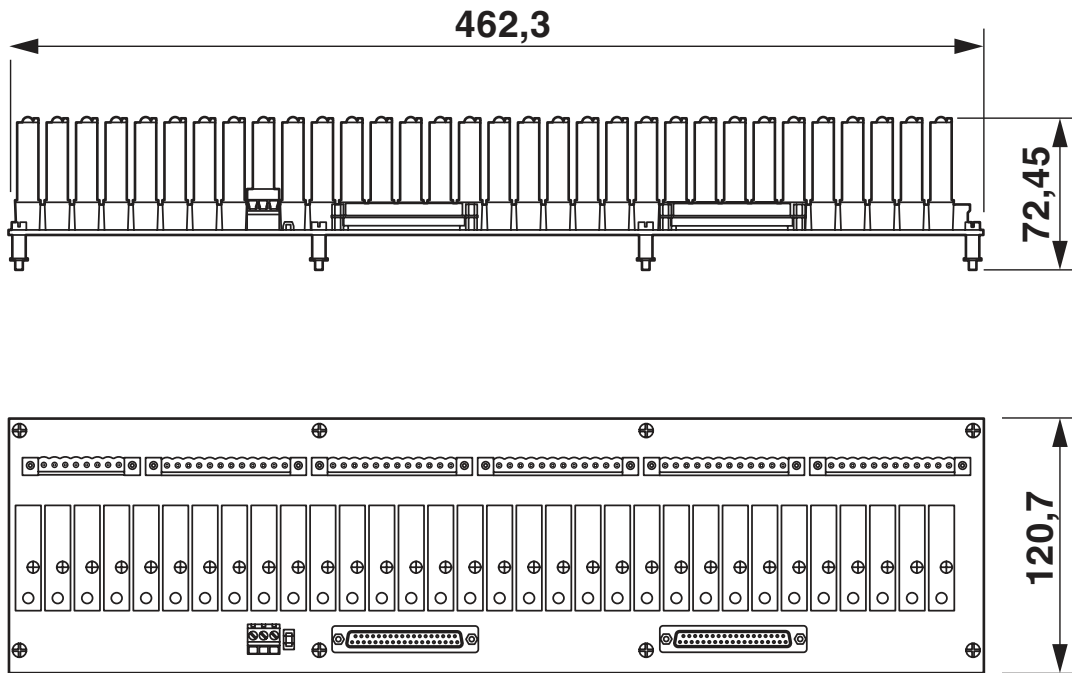
# FLX-D37F/32OSC/24DC/DI/TDC3K - Active module



2908888

<https://www.phoenixcontact.com/us/products/2908888>

Dimensional drawing



# FLX-D37F/32OSC/24DC/DI/TDC3K - Active module





2908888

<https://www.phoenixcontact.com/us/products/2908888>

## Approvals

To download certificates, visit the product detail page: <https://www.phoenixcontact.com/us/products/2908888>

 <b>cUL Recognized</b> Approval ID: FILE E 238705				
	Nominal voltage $U_N$	Nominal current $I_N$	Cross section AWG	Cross section $\text{mm}^2$
Output	-	0.05 A	-	-
Input	-	0.025 A	-	-

 <b>UL Recognized</b> Approval ID: FILE E 238705				
	Nominal voltage $U_N$	Nominal current $I_N$	Cross section AWG	Cross section $\text{mm}^2$
Output	-	0.05 A	-	-
Input	-	0.025 A	-	-

<b>cULus Recognized</b>				
-------------------------	--	--	--	--

# FLX-D37F/32OSC/24DC/DI/TDC3K - Active module



2908888

<https://www.phoenixcontact.com/us/products/2908888>

## Classifications

### ECLASS

ECLASS-11.0	27141152
ECLASS-12.0	27141152
ECLASS-13.0	27141152

### ETIM

ETIM 8.0	EC002780
----------	----------

### UNSPSC

UNSPSC 21.0	39121400
-------------	----------

# FLX-D37F/32OSC/24DC/DI/TDC3K - Active module



2908888

<https://www.phoenixcontact.com/us/products/2908888>

## Environmental product compliance

REACH SVHC

Lead 7439-92-1



# FLX-D37F/32OSC/24DC/DI/TDC3K - Active module



2908888

<https://www.phoenixcontact.com/us/products/2908888>

## Accessories

### FLX-D37M/SHORTING PLUG - Plug-in bridge

1029334

<https://www.phoenixcontact.com/us/products/1029334>

Shorting plug for use in the TDC3000 migration boards



---

### CAB-DSUB37M/OE/22/S/ 1M - Cable

2909622

<https://www.phoenixcontact.com/us/products/2909622>



Assembled shielded round cable; connection 1: Single wires (37-position) (The wires are marked and fitted with ferrules); connection 2: D-SUB pin strip (1x 37-position); cable length: 1 m

# FLX-D37F/32OSC/24DC/DI/TDC3K - Active module



2908888

<https://www.phoenixcontact.com/us/products/2908888>

## CAB-DSUB37M/OE/22/S/ 3M - Cable

2909623

<https://www.phoenixcontact.com/us/products/2909623>



Assembled shielded round cable; connection 1: Single wires (37-position) (The wires are marked and fitted with ferrules); connection 2: D-SUB pin strip (1x 37-position); cable length: 3 m

---

## CAB-DSUB37M/OE/22/S/ 5M - Cable

2909624

<https://www.phoenixcontact.com/us/products/2909624>



Assembled shielded round cable; connection 1: Single wires (37-position) (The wires are marked and fitted with ferrules); connection 2: D-SUB pin strip (1x 37-position); cable length: 5 m

# FLX-D37F/32OSC/24DC/DI/TDC3K - Active module



2908888

<https://www.phoenixcontact.com/us/products/2908888>

## CAB-DSUB37M/OE/22/S/10M - Cable

2909625

<https://www.phoenixcontact.com/us/products/2909625>



Assembled shielded round cable; connection 1: Single wires (37-position) (The wires are marked and fitted with ferrules); connection 2: D-SUB pin strip (1x 37-position); cable length: 10 m

---

## CAB-DSUB37M/OE/22/S/15M - Cable

2909626

<https://www.phoenixcontact.com/us/products/2909626>



Assembled shielded round cable; connection 1: Single wires (37-position) (The wires are marked and fitted with ferrules); connection 2: D-SUB pin strip (1x 37-position); cable length: 15 m

# FLX-D37F/32OSC/24DC/DI/TDC3K - Active module



2908888

<https://www.phoenixcontact.com/us/products/2908888>

## CAB-DSUB37M/OE/22/S/30M - Cable

2909627

<https://www.phoenixcontact.com/us/products/2909627>



Assembled shielded round cable; connection 1: Single wires (37-position) (The wires are marked and fitted with ferrules); connection 2: D-SUB pin strip (1x 37-position); cable length: 30 m

---

Phoenix Contact 2023 © - all rights reserved

<https://www.phoenixcontact.com>

Phoenix Contact USA  
586 Fulling Mill Road  
Middletown, PA 17057, United States  
(+717) 944-1300  
[info@phoenixcon.com](mailto:info@phoenixcon.com)