



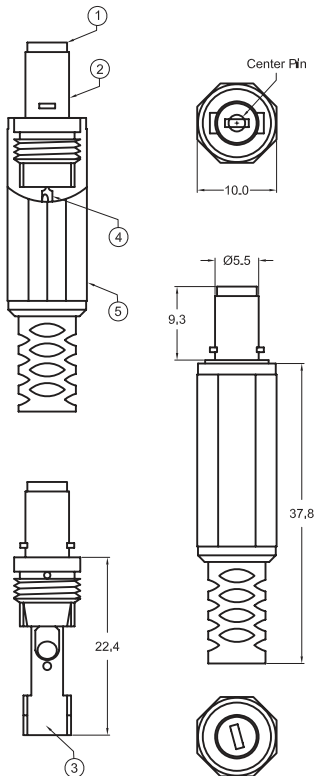
**DC POWER CONNECTORS: KLDX Plug Series**  
**DC Power Plug**

**Product Features**

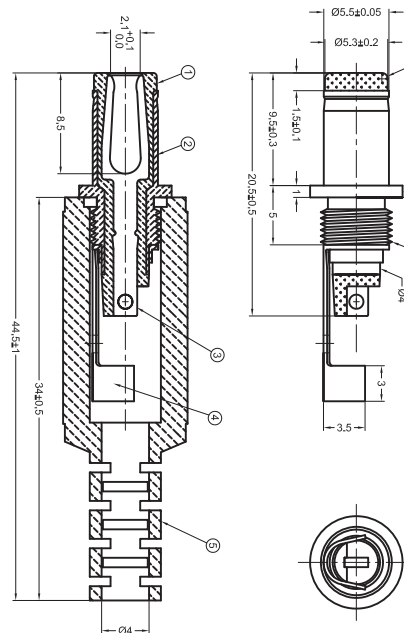
To be used with 2.0mm and 2.5mm Jacks  
 Available as Assembly Type or For Overmolding  
 Available Locking and non Locking Type  
 Tuning Fork Design

**KLDX-PA-0202**  
**Dimensions in mm**

**KLDX-PA-0202-x-LT**  
 Assembly type, Locking



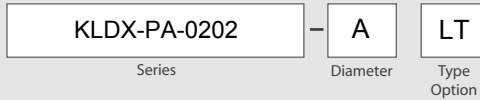
**KLDX-PA-0202-A**  
 Assembly type, Non Locking




Generated Part Number

**KLDX-PA-0202-A-LT**

Part Number Builder



**Series**

KLDX-PA-0202 - DC Power Plug Assembly Type

**Diameter**

- For 2.0mm Jack
- For 2.5mm Jack

**Type**

- Standard Type (Non Locking)
- Locking Type

Contact Kycon for Custom Cable Options