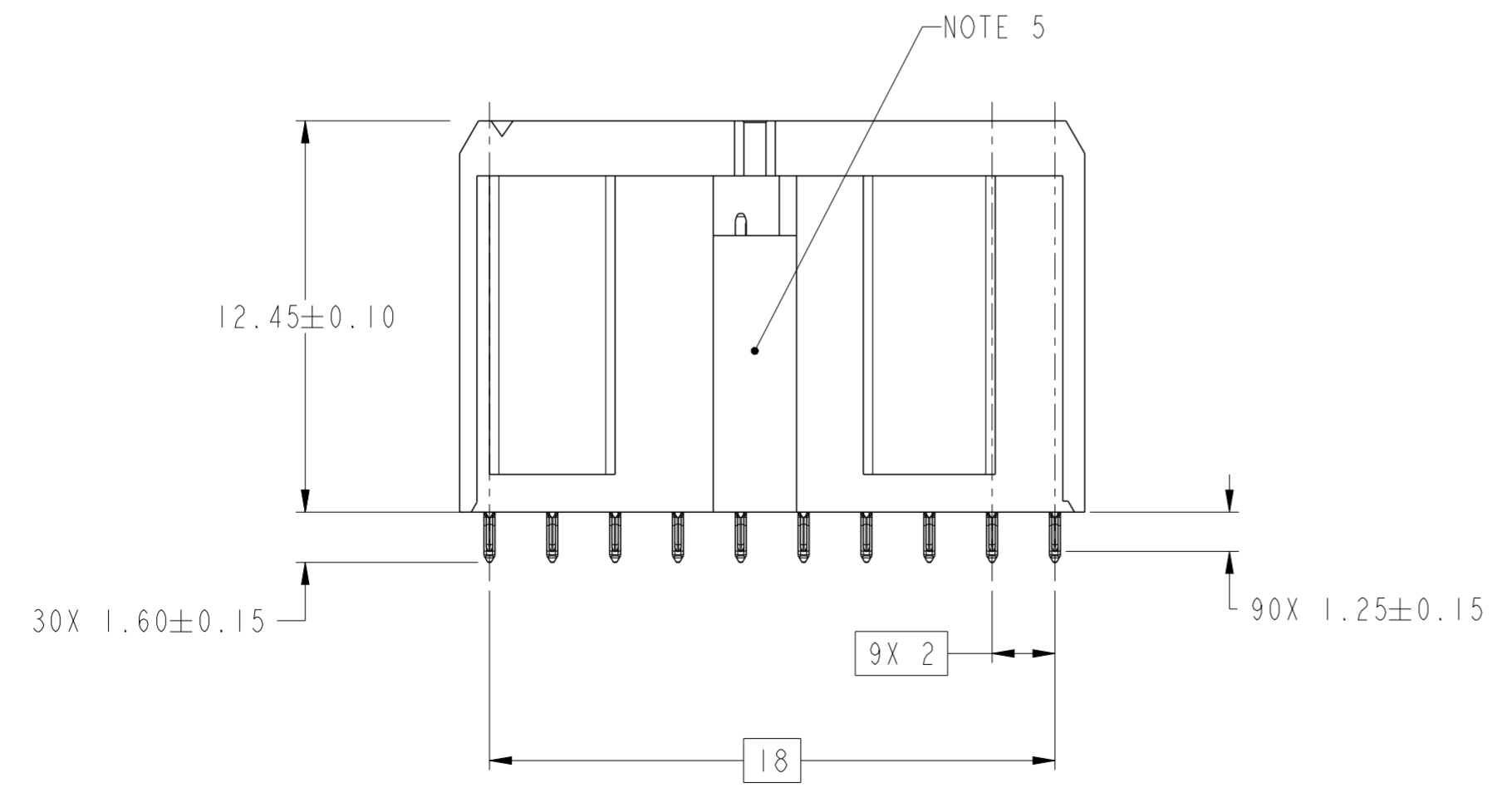
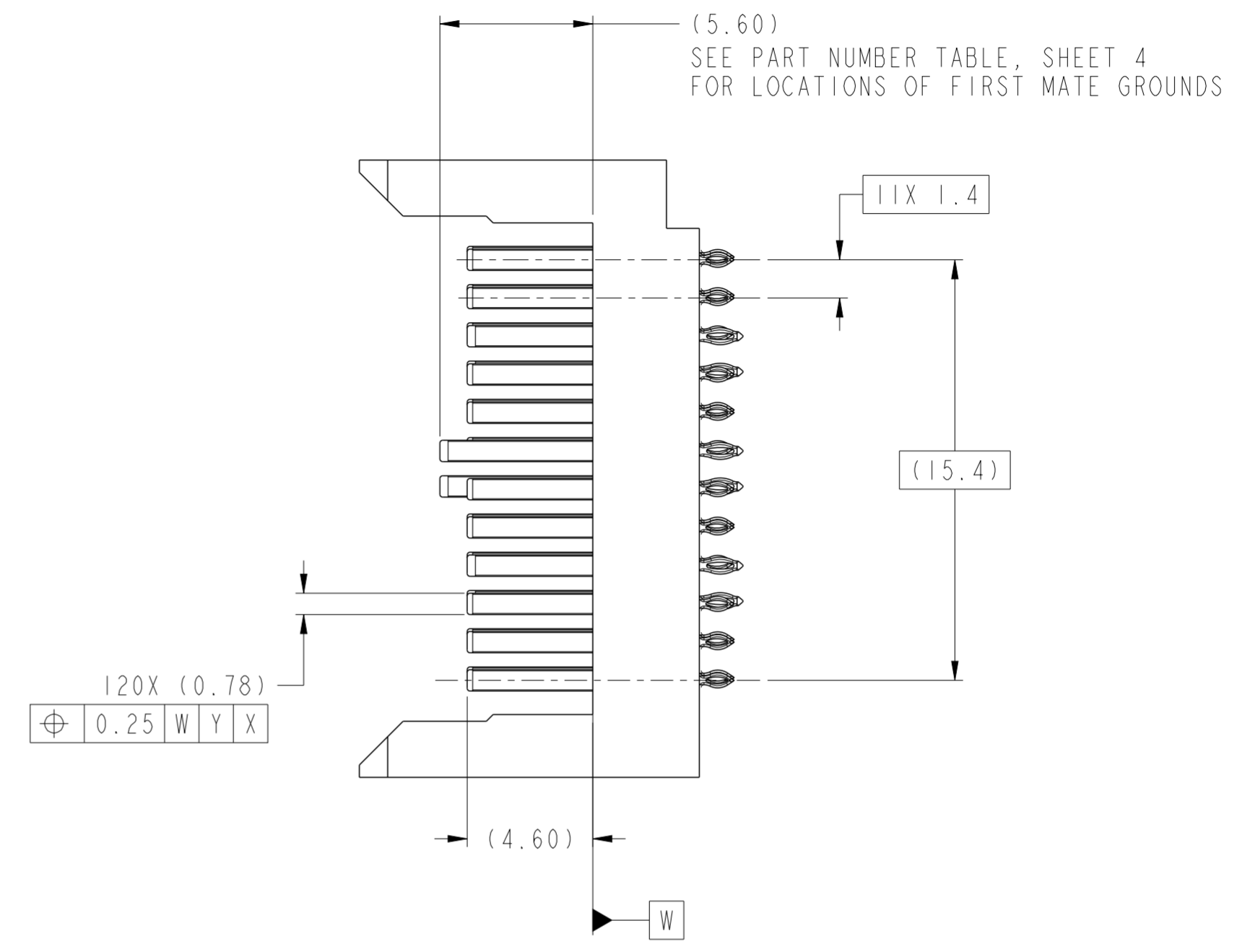
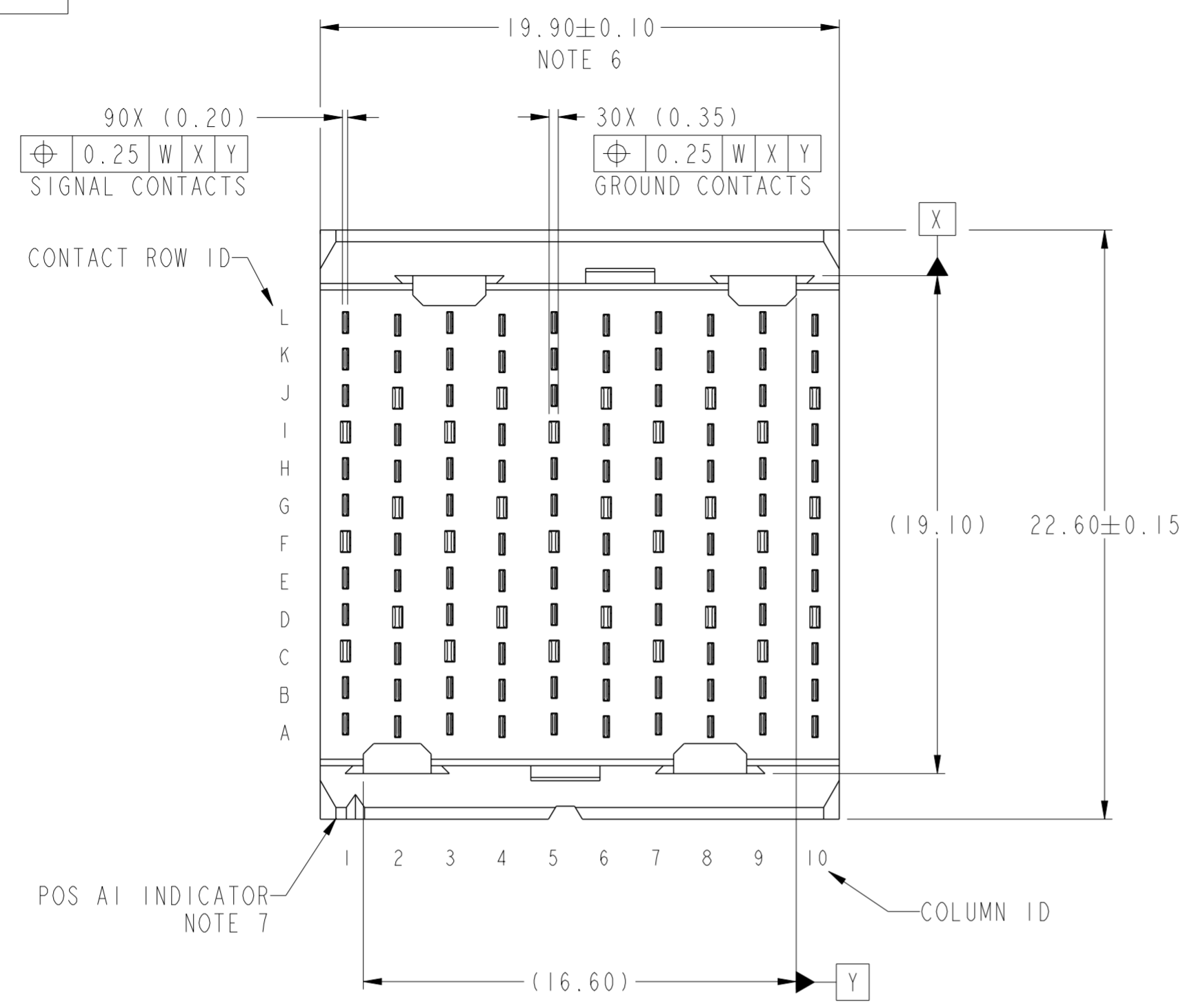


Product number
SEE TABLE, SHT 4



spec ref	-	dr	Mark Gray	2011/04/08	projection	MM	size	A2	scale	5:1	
tolerance std	ASME Y14.5	eng	Kou Xu	2014/06/05			ecn no	ELX-DG-17847-1			
TOLERANCES UNLESS OTHERWISE SPECIFIED		chr	Zhi-Guo Qiao	2014/06/23			rel level	Released			
		appr	Collins Lu	2014/06/23			product family	AIRMAX VS			
surface	ASME Y14.5	linear	0.X	±0.3		AIRMAX VSE VERTICAL HEADER SMALL PRESS-FIT, 120 POS, 20.0 mm	div no 10117992	rev C	Product - Customer Drw		
	angular	0°	±2°	cat. no.					sheet 1 of 4		

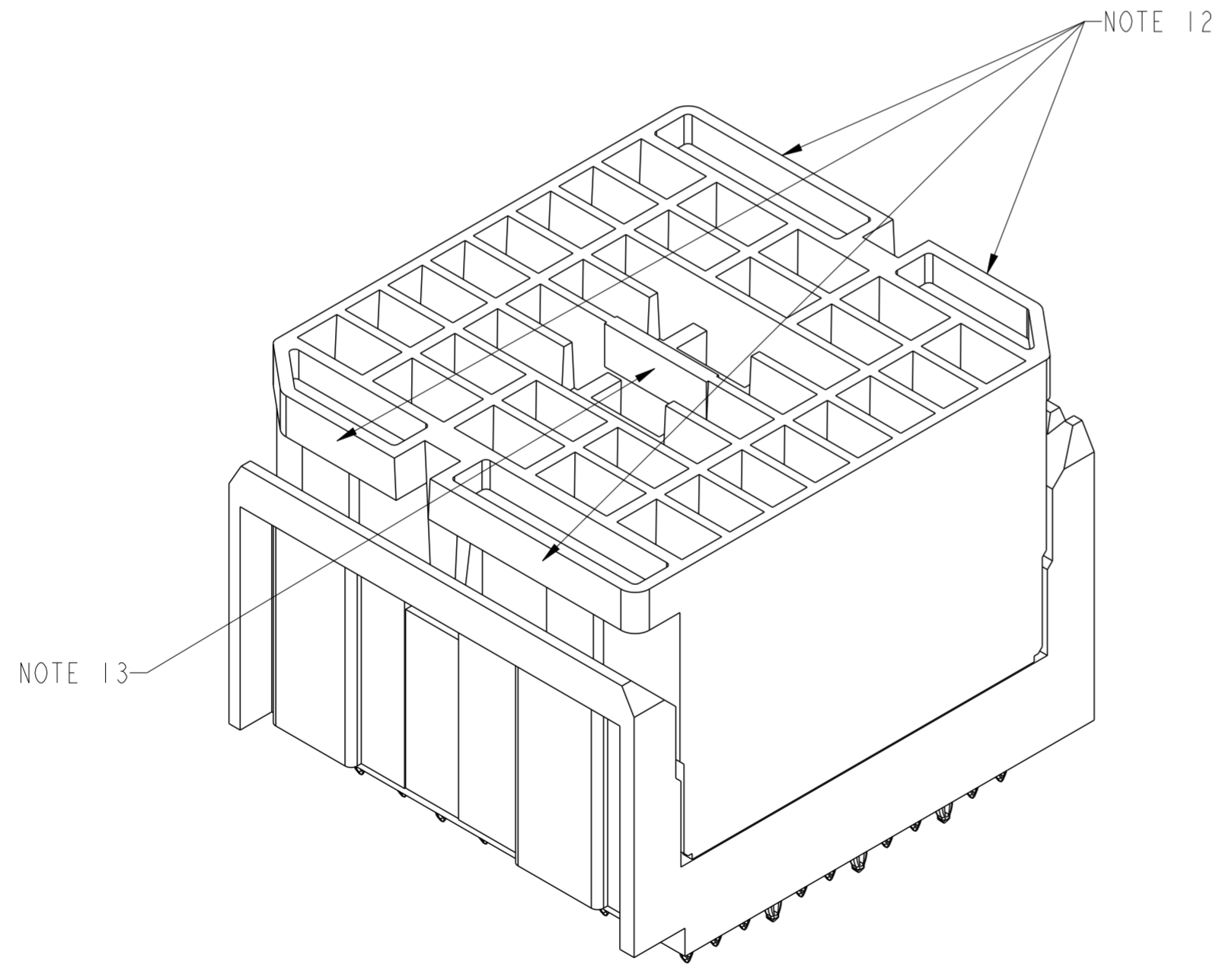
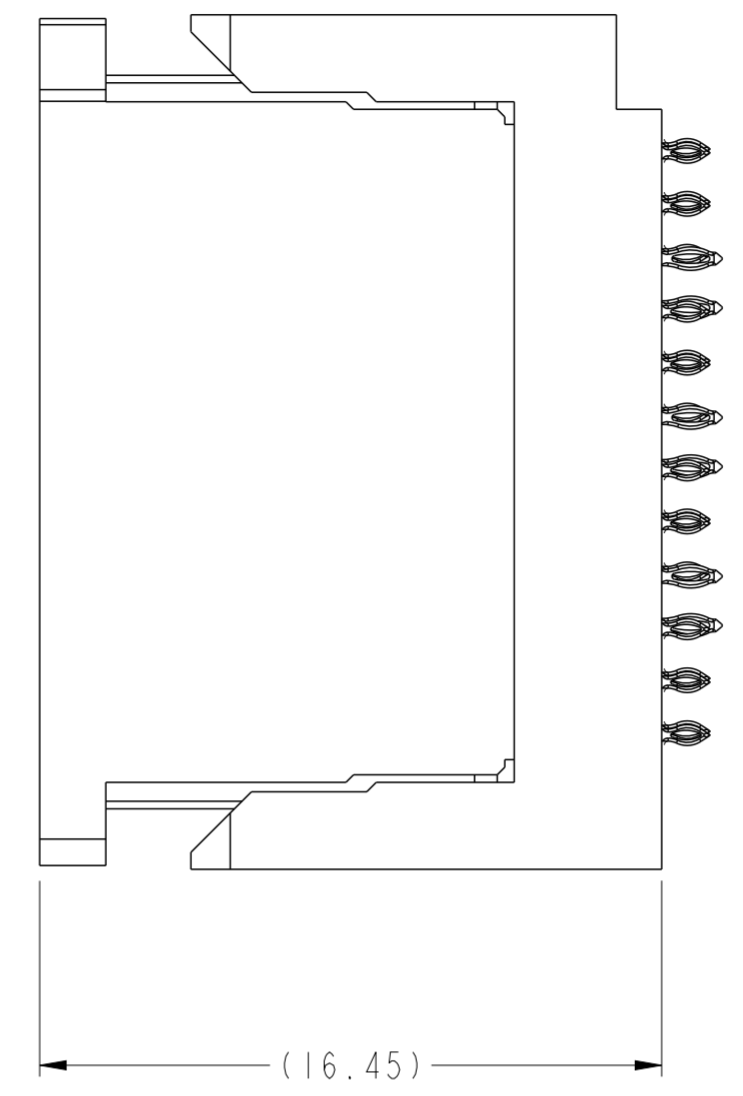
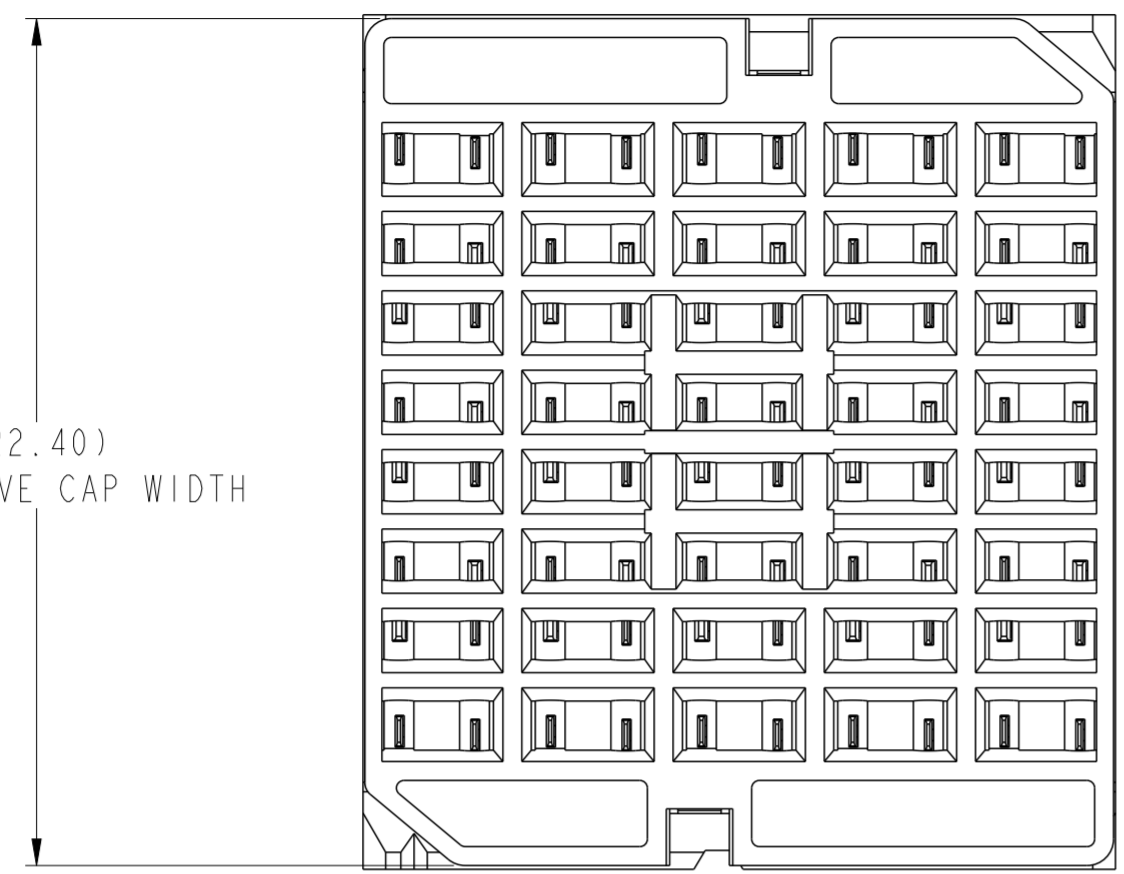
PDS: Rev : C

STATUS: Released

Printed: Jun 24, 2014

Copyright FCI. FCI

(22.40)
PROTECTIVE CAP WIDTH



VIEWS SHOWN WITH
PROTECTIVE COVER INSTALLED

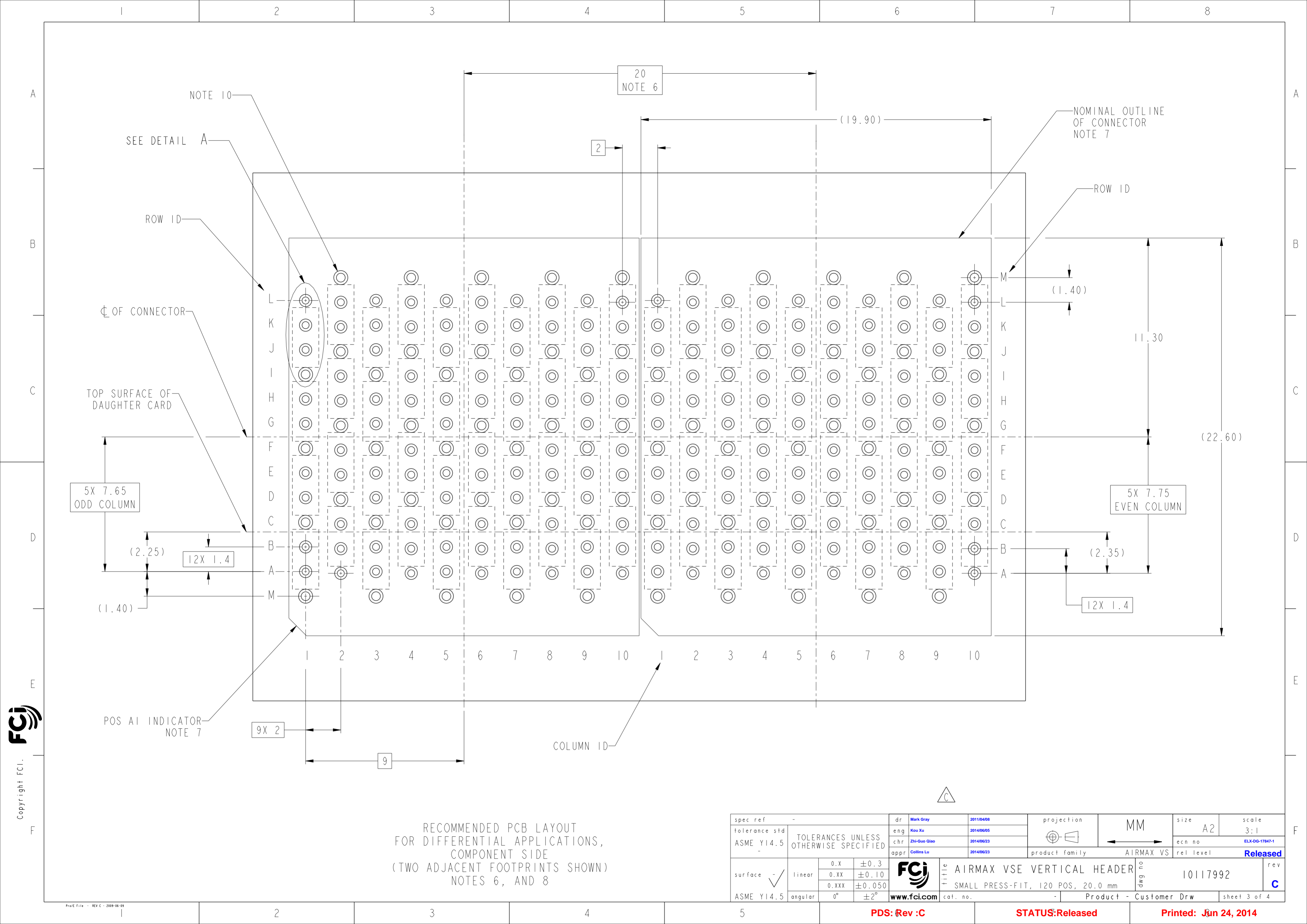
Copyright FCI.
FCI

spec ref	-	dr	Mark Gray	2011/04/08	projection	MM	size	A2	scale	5:1		
tolerance std	ASME Y14.5	eng	Kou Xu	2014/06/05			ecn no	ELX-DG-17847-1				
TOLERANCES UNLESS OTHERWISE SPECIFIED		chr	Zhi-Guo Qiao	2014/06/23			rel level	Released				
		appr	Collins Lu	2014/06/23			product family	AIRMAX VS				
surface	✓	linear	0.X	±0.3		AIRMAX VSE VERTICAL HEADER SMALL PRESS-FIT, 120 POS, 20.0 mm	divg no 10117992	rev C	www.fci.com			
			0.XX	±0.10					cat. no.	Product - Customer Drw		sheet 2 of 4
		angular	0°	±2°								

PDS: Rev :C

STATUS:Released

Printed: Jun 24, 2014




Copyright FCI.

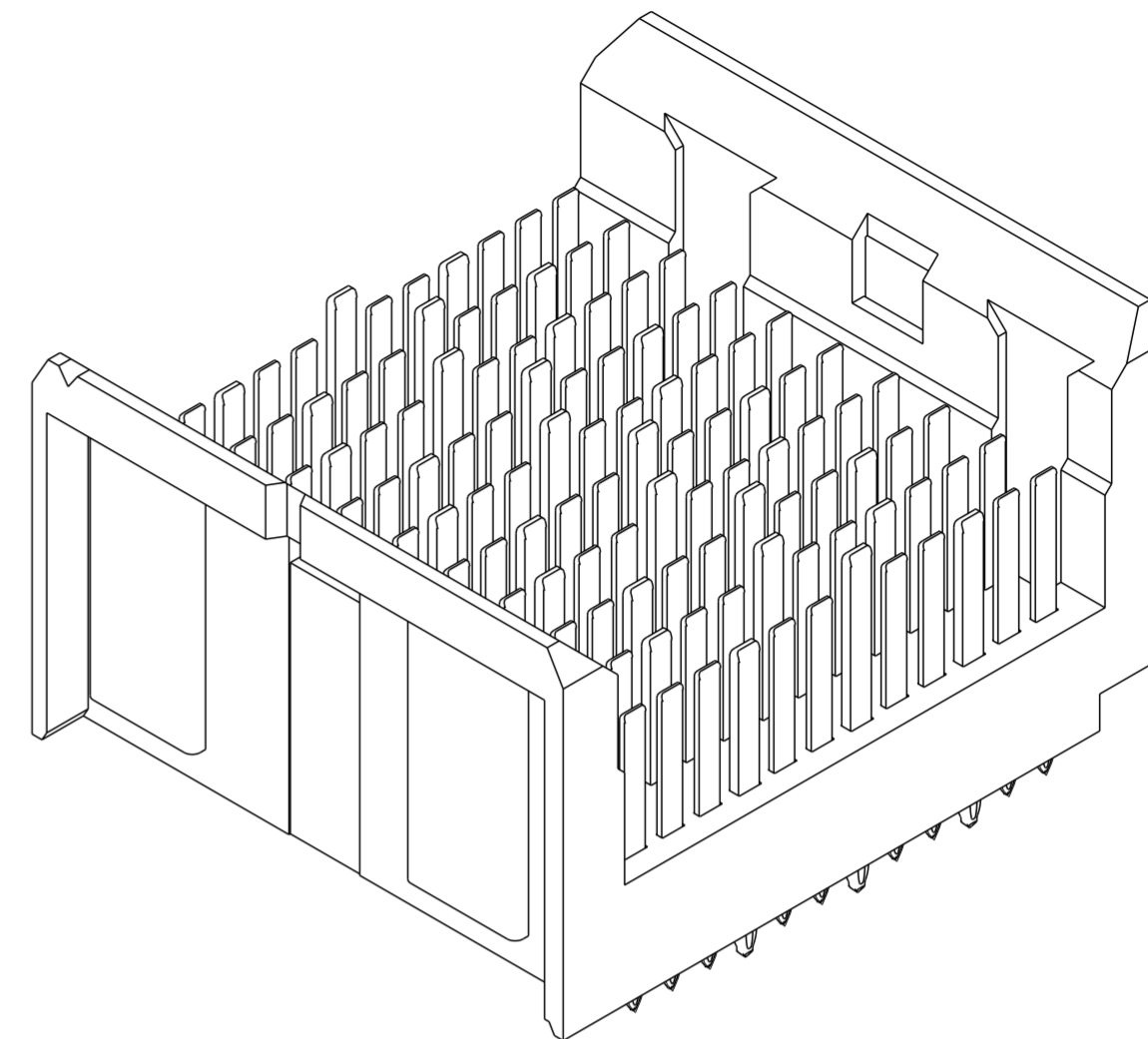
RECOMMENDED PCB LAYOUT
FOR DIFFERENTIAL APPLICATIONS,
COMPONENT SIDE
(TWO ADJACENT FOOTPRINTS SHOWN)
NOTES 6, AND 8

spec ref	-	dr	Mark Gray	2011/04/08	projection	MM	size	A2	scale	3:1		
tolerance std	ASME Y14.5	eng	Kou Xu	2014/06/05			ecn no	ELX-DG-17847-1				
TOLERANCES UNLESS OTHERWISE SPECIFIED		chr	Zhi-Guo Qiao	2014/06/23				product family	AIRMAX VS	rel level	Released	
surface	✓	appr	Collins Lu	2014/06/23					AIRMAX VS		10117992	rev
ASME Y14.5	linear	0.X	±0.3	0.XX	±0.10	0.XXX	±0.050	angular	0°	±2°		

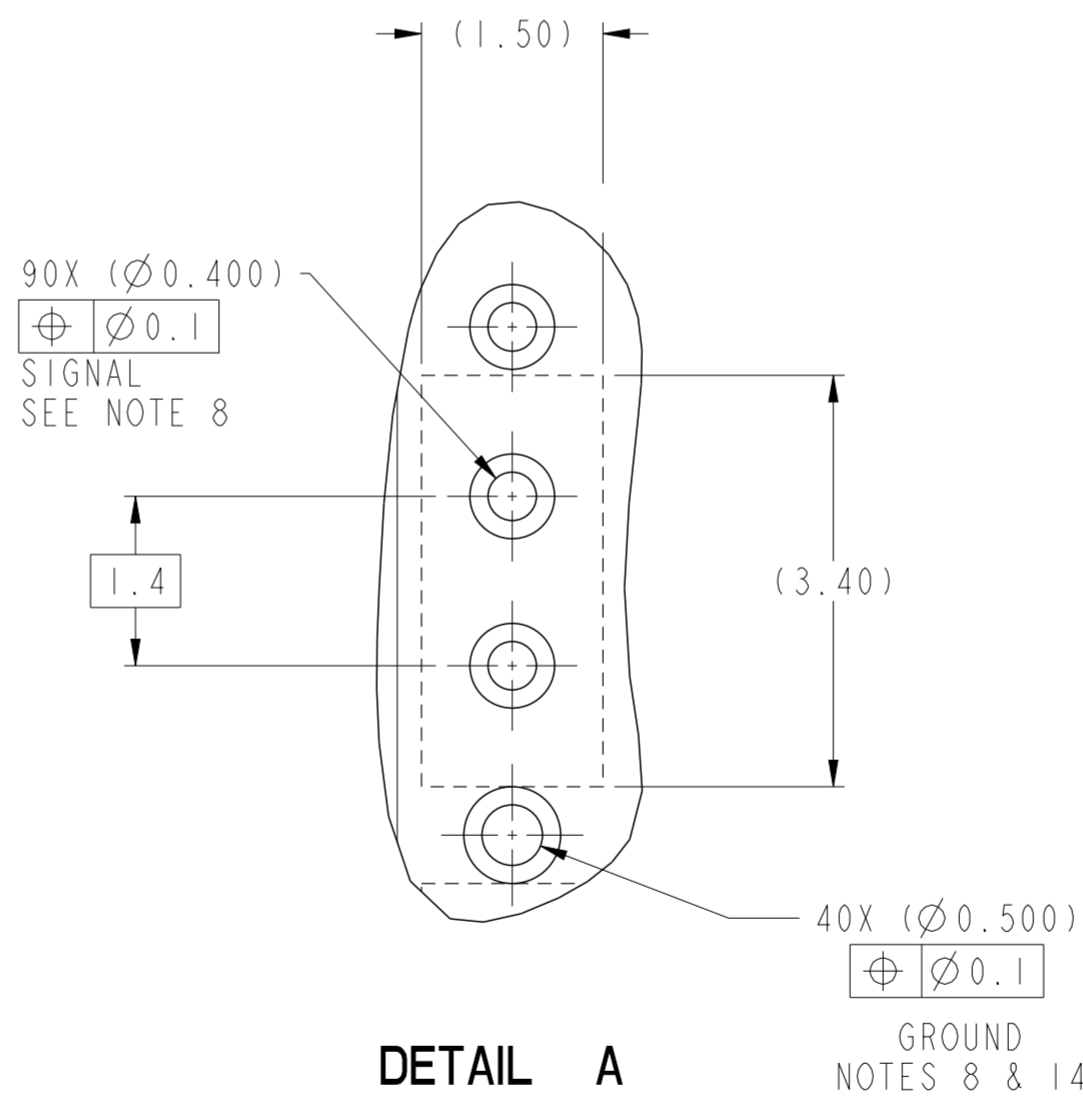
PART NUMBER	PRESS-FIT TAIL PLATING TYPE	PROTECTIVE COVER	FIRST MATE PIN LOCATIONS (5.6mm)
10117992-101LF	TIN OVER NICKEL (LEAD FREE)	YES	F1, F3, F5, F7, F9, G2, G4, G6, G8, G10

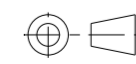

NOTES:

1. CONNECTOR MATERIALS:
HOUSING: HIGH TEMP THERMOPLASTIC, BLACK, UL94V-0
CONTACT: COPPER ALLOY
2. CONTACT PLATING:
SEPARABLE INTERFACE: PERFORMANCE-BASED PLATING, QUALIFIED TO MEET THE REQUIREMENTS OF FCI PRODUCT SPECIFICATION GS-12-XXX INCLUDING TELCORDIA GR-1217-CORE (NOVEMBER 1995) CENTRAL OFFICE TEST SEQUENCE
PRESS-FIT TAILS: SEE TABLE
3. PRODUCT SPECIFICATION: GS-12-239.
4. APPLICATION SPECIFICATION: GS-20-035.
5. PRODUCT MARKING, (PROTOTYPE, PART NUMBER & LOT CODE), ON THIS SURFACE.
6. THE MINIMUM CENTERLINE SPACING BETWEEN ADJACENT MODULES IS 20.0 mm.
7. CONNECTOR OUTLINE WITH HOUSING POS AI INDICATOR MAY BE SCREEN PRINTED ONTO CUSTOMER PCB TO BE USED AS A GUIDE FOR MANUAL CONNECTOR PLACEMENT.
8. REFER TO CUSTOMER DRAWING 10104444 FOR INFORMATION ON PCB HOLE DIAMETERS AND PLATING OPTIONS.
9. THIS PRODUCT MEETS EUROPEAN UNION DIRECTIVES AND OTHER COUNTRY REGULATIONS AS DESCRIBED IN GS-22-008.
10. THE OUTER VIAS IN COLUMN M ARE OPTIONAL. IF ADDED THESE HOLES PROVIDE GROUND SYMMETRY THROUGH THE PCB. NO CONNECTOR EONS WILL BE PRESSED INTO THESE HOLES.
11. PACKAGING MEETS GS-14-920 LEAD FREE LABELING SPECIFICATION.
12. FOR REMOVAL OF THE PROTECTIVE CAP BY HAND GRIP USING THESE SURFACES.
13. FOR REMOVAL OF THE PROTECTIVE CAP WITH PLIERS GRIP USING THIS FEATURE.
14. GROUND VIAS IN POSITIONS C, F, I, & M FOR ODD COLUMNS AND POSITIONS D, G, J, & M FOR EVEN COLUMNS REQUIRE (Ø0.50) FINISHED HOLES. ALL OTHER VIAS REQUIRE (Ø0.40) FINISHED HOLES.
15. A  SYMBOL WILL BE NEXT TO ANY DIMENSION, VIEW, OR NOTE WHICH HAS BEEN MODIFIED WITH THE CURRENT DRAWING REVISION



10117992-101LF



spec ref	-	dr	Mark Gray	2011/04/08	projection	MM	size	A2	scale	5:1
tolerance std	ASME Y14.5	eng	Kou Xu	2014/06/05		←	ecn no	ELX-DG-17847-1		
TOLERANCES UNLESS OTHERWISE SPECIFIED		chr	Zhi-Guo Qiao	2014/06/23				rel level	Released	
surface	✓	appr	Collins Lu	2014/06/23	product family	AIRMAX VS	title	AIRMAX VSE VERTICAL HEADER	dwg no	10117992
ASME Y14.5	linear	0.X	±0.3		SMALL PRESS-FIT, 120 POS, 20.0 mm	rev	C			
		0.XX	±0.10		cat. no.	-	Product - Customer Drw	sheet 4 of 4		
	angular	0°	±2°							