

ACTIVE 2X FREQUENCY MULTIPLIER (CONT.)

MODEL: SYS2X2640WG

FEATURES

- Fundamental rejection -80 dBc
- Output power +15 dBm
- Packaging Hermetically sealed

ELECTRICAL SPECIFICATIONS

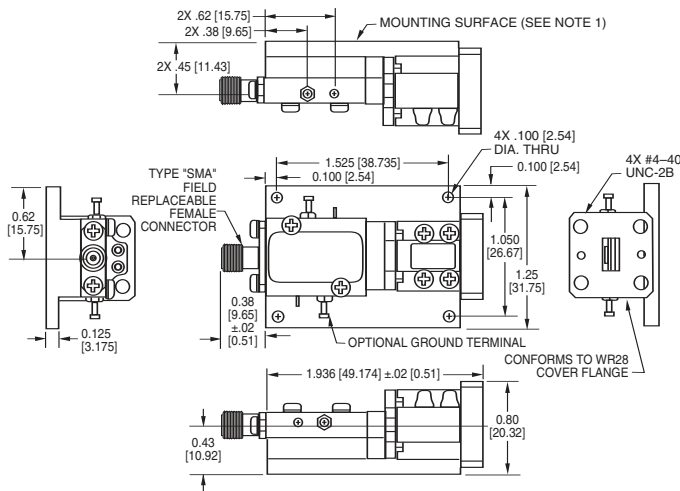
INPUT PARAMETERS	CONDITION	UNITS	MIN.	TYP.	MAX.
RF frequency range		GHz	13		20
RF VSWR	50 ohm reference	Ratio		2.5:1	
RF power range		dBm	+9		+13
V+ bias voltage	@ 250 mA max.	VDC	9		16
V- bias voltage	@ 15 mA max.	VDC	-9		-16
TRANSFER CHARACTERISTICS	CONDITION	UNITS	MIN.	TYP.	MAX.
Output power		dBm	+13	+15	
Fundamental leakage	Input	dBc		-80	-50
Third-harmonic leakage	Input	dBc		-30	-15
OUTPUT PARAMETERS	CONDITION	UNITS	MIN.	TYP.	MAX.
RF frequency range		GHz	26		40
RF VSWR	50 ohm reference	Ratio		2.5:1	
RF power		dBm		+15	

NOTE: Test data supplied at 25°C;
fundamental rejection and output power.

MAXIMUM RATINGS

Specification temperature +25°C
Operating temperature -40 to +65°C
Storage temperature -65 to +95°C

OUTLINE DRAWING



- NOTES: 1. Unit's mounting surface shall be attached to a heatsink capable of dissipating the devices power consumption without exceeding the operating temperature limits.
2. All dimensions shown in brackets [] are in millimeters.

ADD SUFFIX TO
MODEL NO.
S

OPTION
Single positive supply

