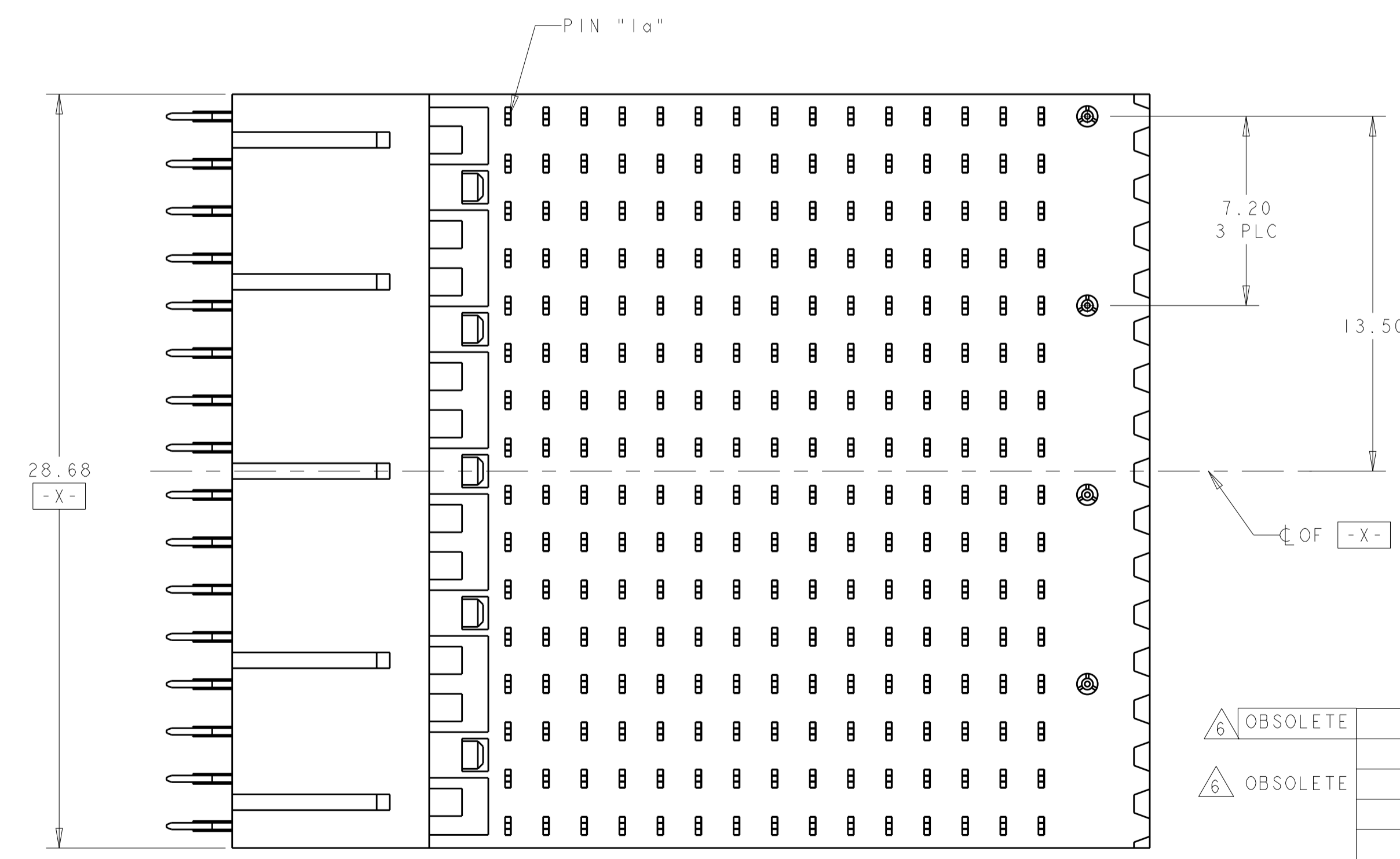
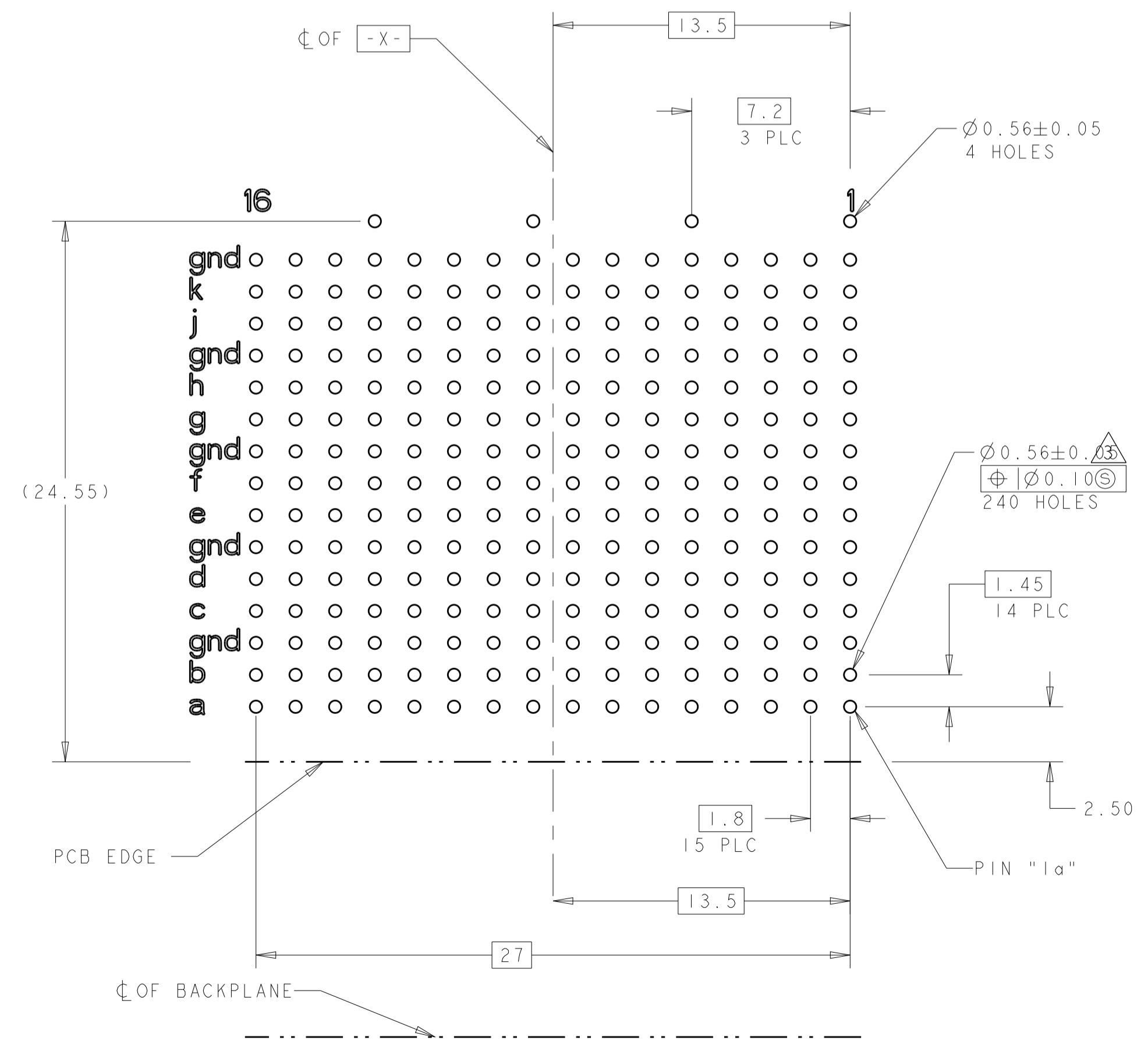
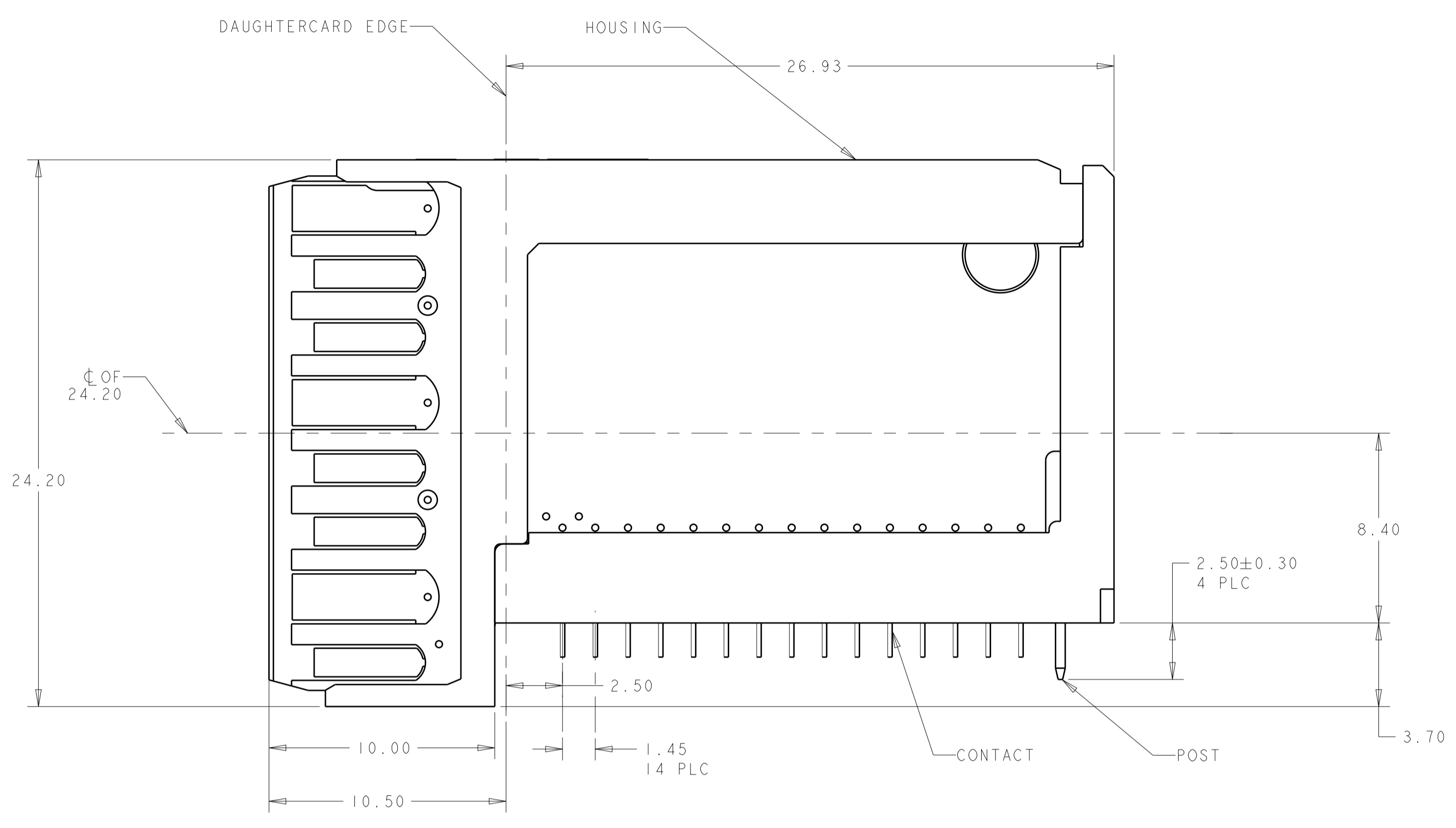
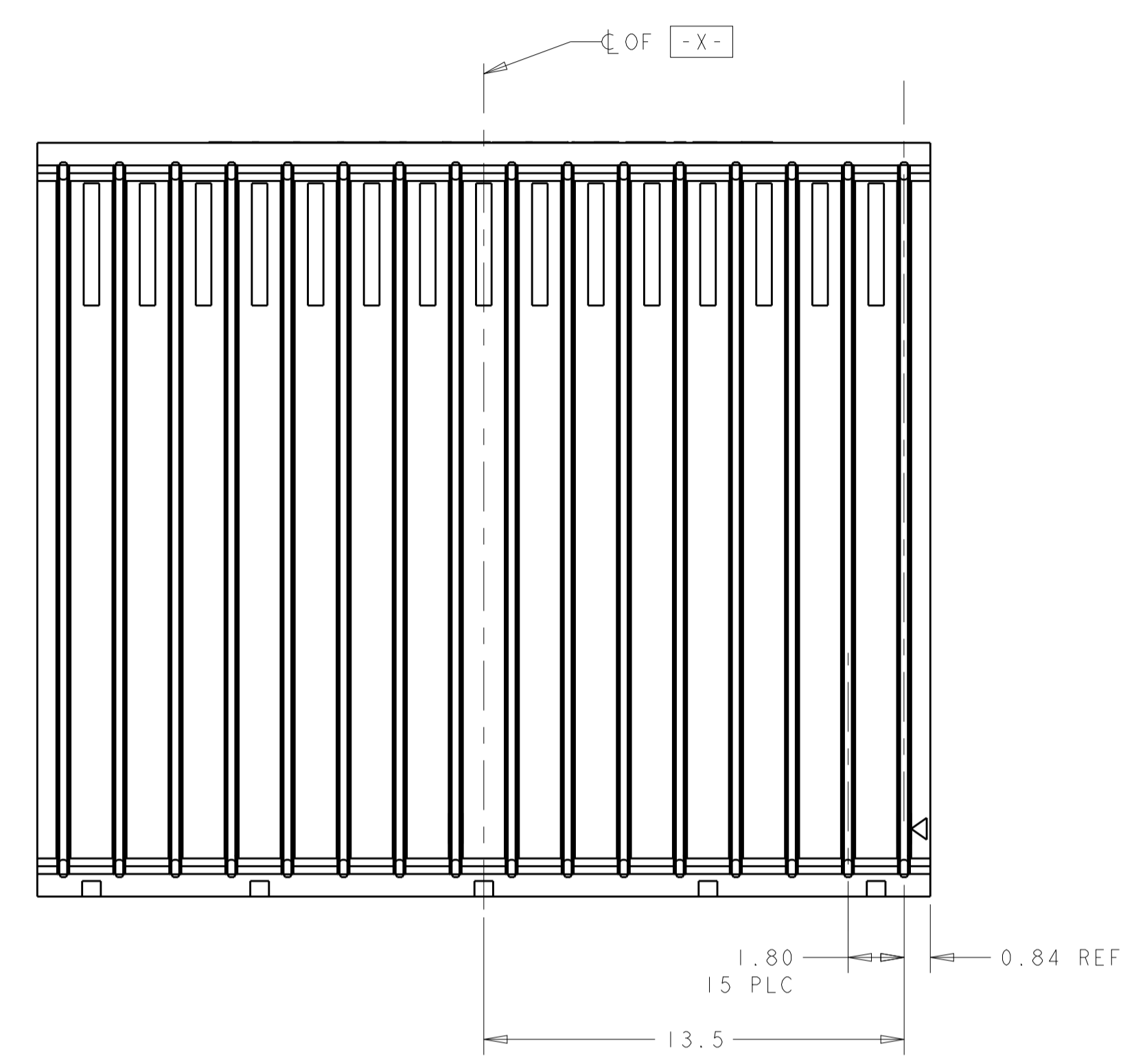


LOC		DIST		REVISIONS			
P	LTN	DESCRIPTION	DATE	DMN	APVD		
A2		REVISED PER ECO-12-011861	28JUN2012	KH	AS		



- 1 HOUSING: LCP, UL94V-0, BLACK.
CONTACT: PHOSPHOR BRONZE.
POST: BRASS WIRE.
- 2 CONTACT: 0.76 µm GOLD PER ASTM B 488 IN CONTACT AREA,
1.27 µm MIN TIN-LEAD
ON PCB TAIL,
OVER 1.27µm MIN NICKEL PER
SAE AMS-00-N-290 OVER ALL.
POST: 1.27 µm MIN NICKEL.
- 3 PLATED THROUGH HOLE PER 114-13056,
FIGURE 4.
- 4 CONTACT: 0.76 µm GOLD PER ASTM B 488 IN CONTACT AREA,
1.27 µm MIN MATTE TIN PER ASTM B 545
ON PCB TAIL,
OVER 1.27 µm MIN NICKEL PER
SAE AMS-00-N-290 OVER ALL.
POST: 1.27 µm MIN NICKEL.
- 5 NOTE DELETED.
- 6 OBSOLETE PARTS: OBSOLETE CIS STREAMLINING
PER D.RENAUD/D.SINISI

FINISH	DESCRIPTION	PART NO
4	DIFFERENTIAL PAIR, NONSEQUENTIAL	1410215-4
4	SINGLE END, NONSEQUENTIAL	1410215-3
2	DIFFERENTIAL PAIR, NONSEQUENTIAL	1410215-2
2	SINGLE END, NONSEQUENTIAL	1410215-1

THIS DRAWING IS A CONTROLLED DOCUMENT.

DIMENSIONS:	TOLERANCES UNLESS OTHERWISE SPECIFIED:	DMN D.E.STAHL 06JUN2000	CHK S.MICKLEVICZ 06JUN2000	APVD S.MICKLEVICZ 06JUN2000	NAME RIGHT-ANGLE PLUG ASSEMBLY, CENTER, FULL, 25.4mm, Multigig RT 1, DAUGHTERCARD CONNECTOR
mm	0 PLC ± 2 PLC ±0.13 3 PLC ±0.013 4 PLC ±	PRODUCT SPEC 108-2072	APPLICATION SPEC 114-13056	SIZE 114-13056	RESTRICTED TO
MATERIAL	FINISH	WEIGHT	CAGE CODE	DRAWING NO	SCALE
			A100779	1410215	8:1

CUSTOMER DRAWING

4805 (3/11)