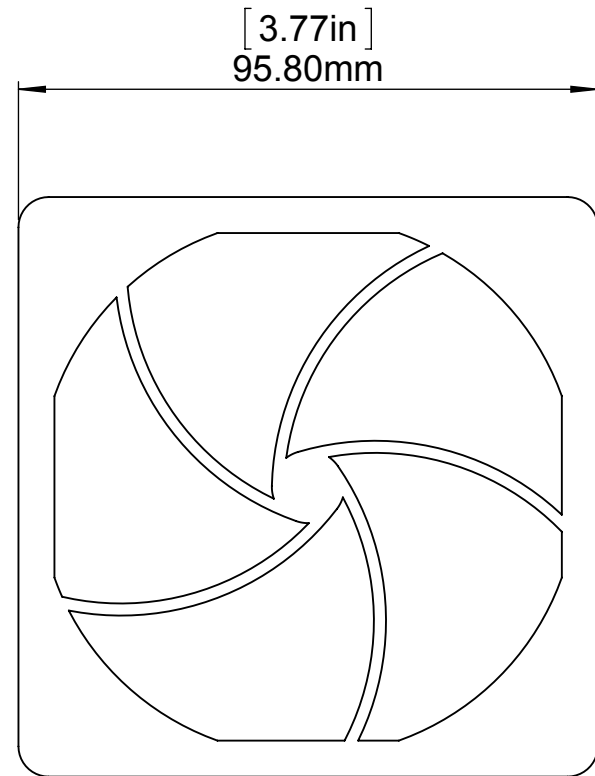
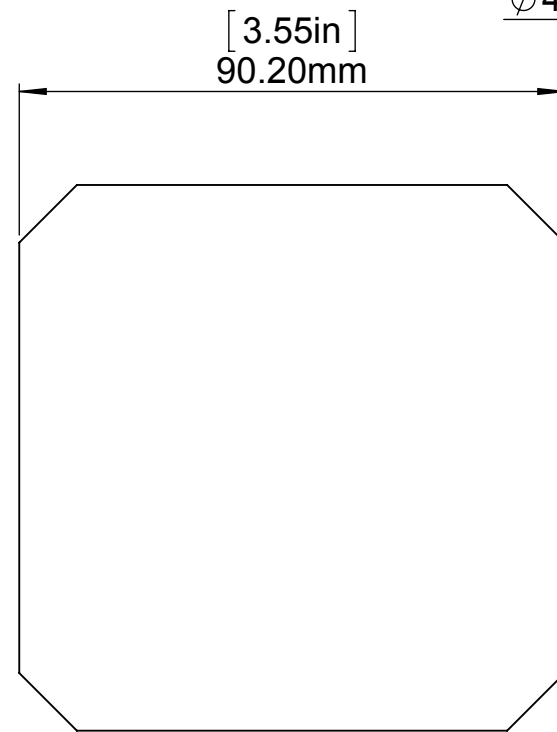


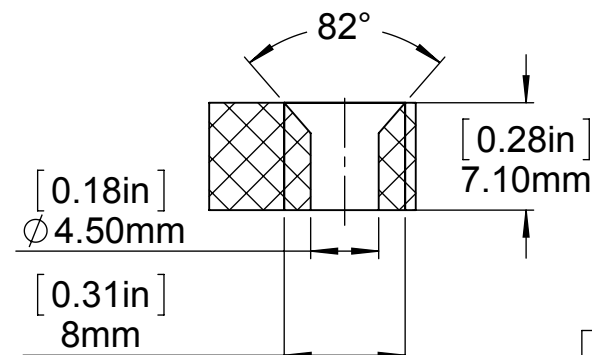
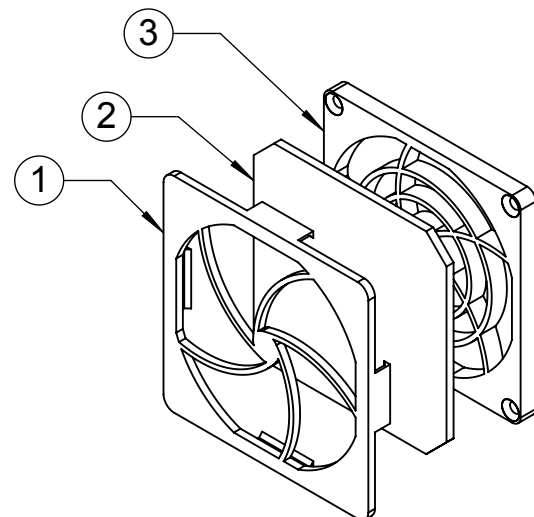
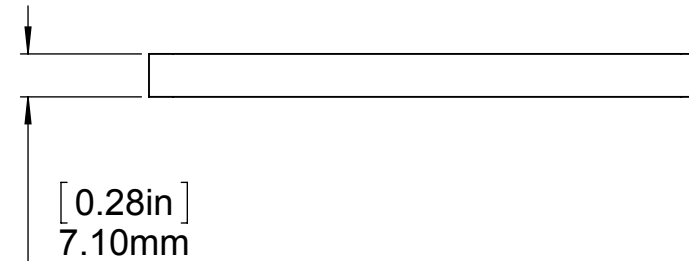
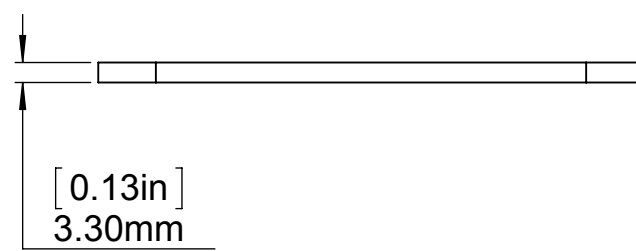
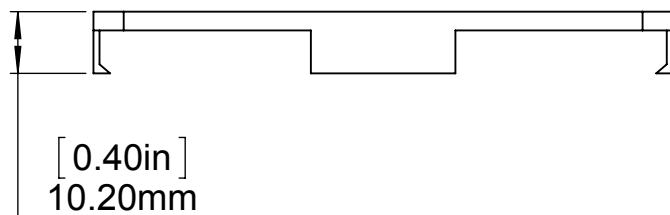
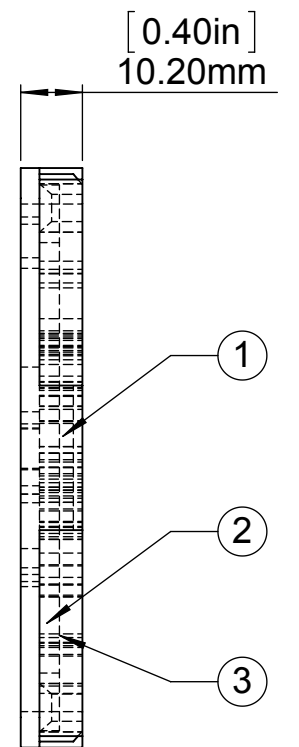
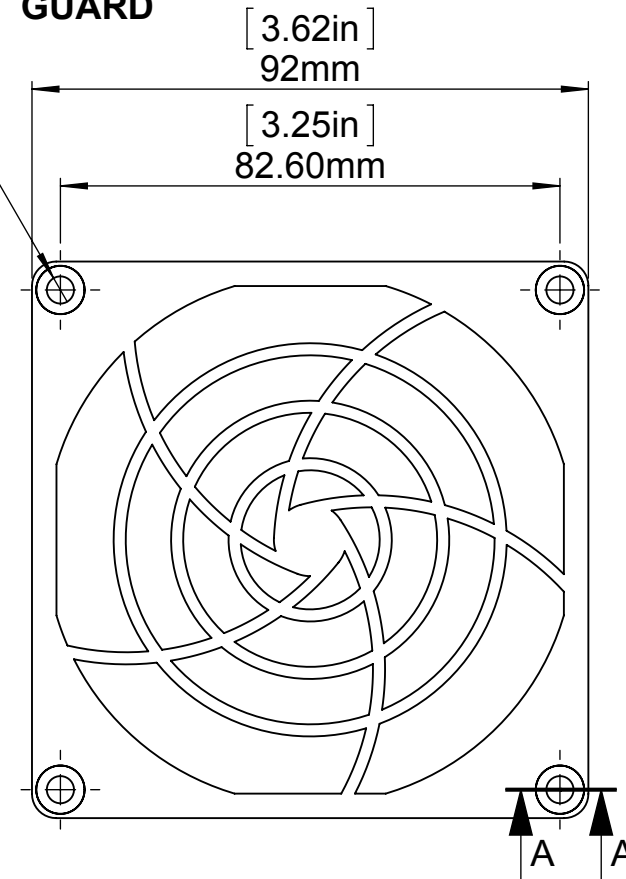
RETAINER



FILTER



GUARD



SECTION A-A
SCALE 2 : 1

ITEM NO.	DESCRIPTION	MATERIAL	QTY.
1	RETAINER	Plastic UL94V-O	1
2	FILTER	Polyurethane Foam UL94HF-1 30PPI	1
3	GUARD	Plastic UL94V-O	1

NAME	SIGNATURE	DATE	THICKNESS:	TITLE:
DRAWN HI-TECH			SEE PART DETAIL	PLASTIC FAN ASSEMBLY
CHK'D				
APPV'D			MATERIAL:	ASSEMBLY NO.
MFG			SEE PART DETAIL	SC92-P15/30
Q.A			WEIGHT: 63.606kg	A3
			SCALE:1:1.25	SHEET 1 OF 1

GARDTEC INC.

THIS DRAWING IS THE PROPERTY OF GARDTEC INC AND IS NOT TO BE PRODUCED FOR OR COMMUNICATED TO ANY THIRD PARTY WITHOUT SPECIFIC WRITTEN APPROVAL OF AN OFFICER OF GARDTEC INC.