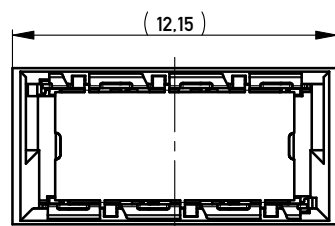
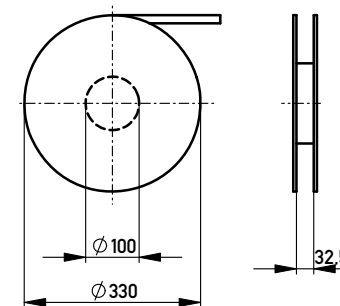
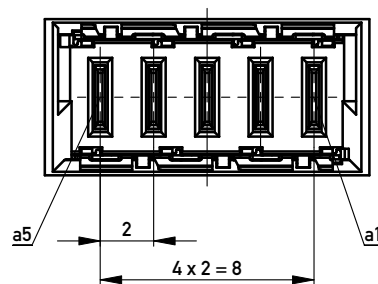


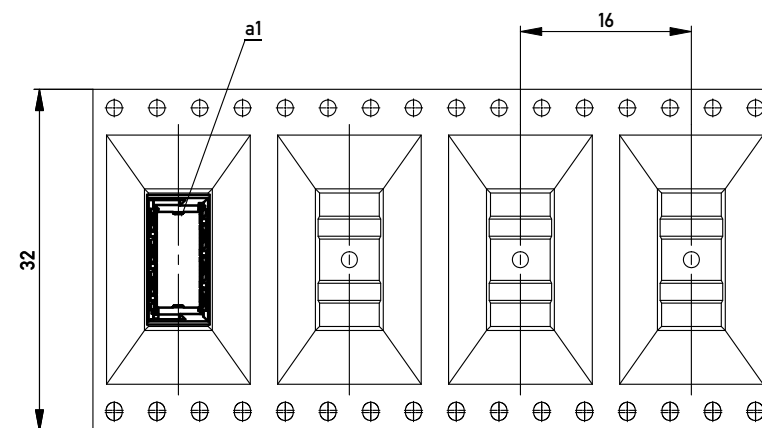
Verpackt in Gurtverpackung - Tape on Reel Packaging  
 Verpackungseinheit: 420 Stück - Packaging unit: 420 pcs



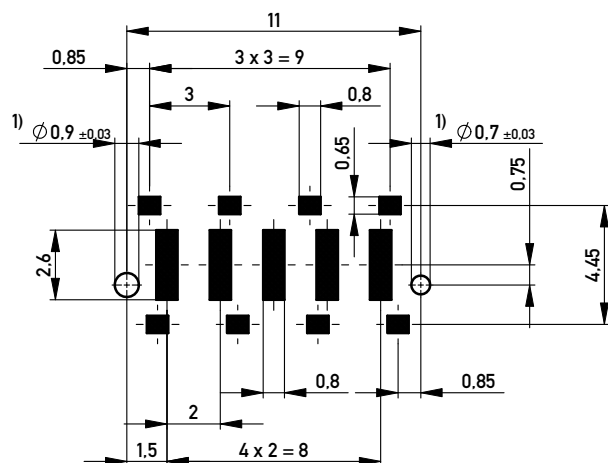
ohne Ansaughaube  
without hood



Abspulrichtung - Reel off Direction



Leiterplatten-Layout Vorschlag / PCB-layout proposal



Anforderungsstufe 1  
Performance Level 1

Kontaktbereich vergoldet  
Mating Area gold plating

Anschlussbereich verzinkt 4-6 µm  
Terminal Area 4-6 µm tin plating

Koplanarität der Anschlüsse ≤ 0,1 mm  
Coplanarity Area of Termination ≤ 0,1 mm

1) Durchmesser des Bohrers / Drill tool

Copyright by ERNI GmbH  
 Proprietary notice pursuant to ISO 16016 to be observed.

Information:		Tolerances		Scale	5:1
All rights reserved. Only for Information. To ensure that this is the latest version of this drawing, please contact one of the ERNI companies before using.		All Dimensions in mm		Designation	
Subject to modification without prior notice. Drawing will not be updated.				Messerleiste SMD, Powerm. 2mm Male Con. SMD, Powerm. 2mm	
www.ERNI.com		214550		I	
i	06.08.2010	Class		MSPEED	
Index	Date			A3	