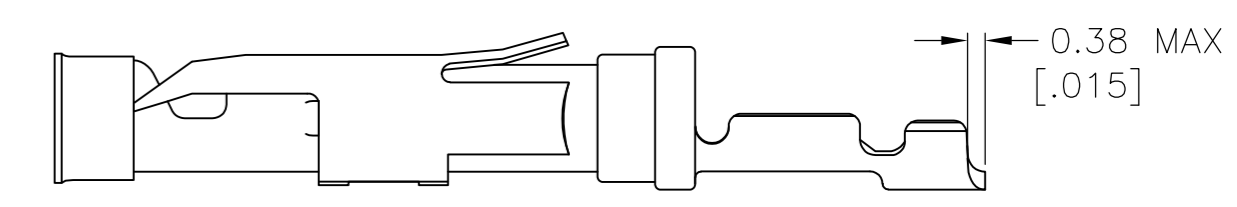
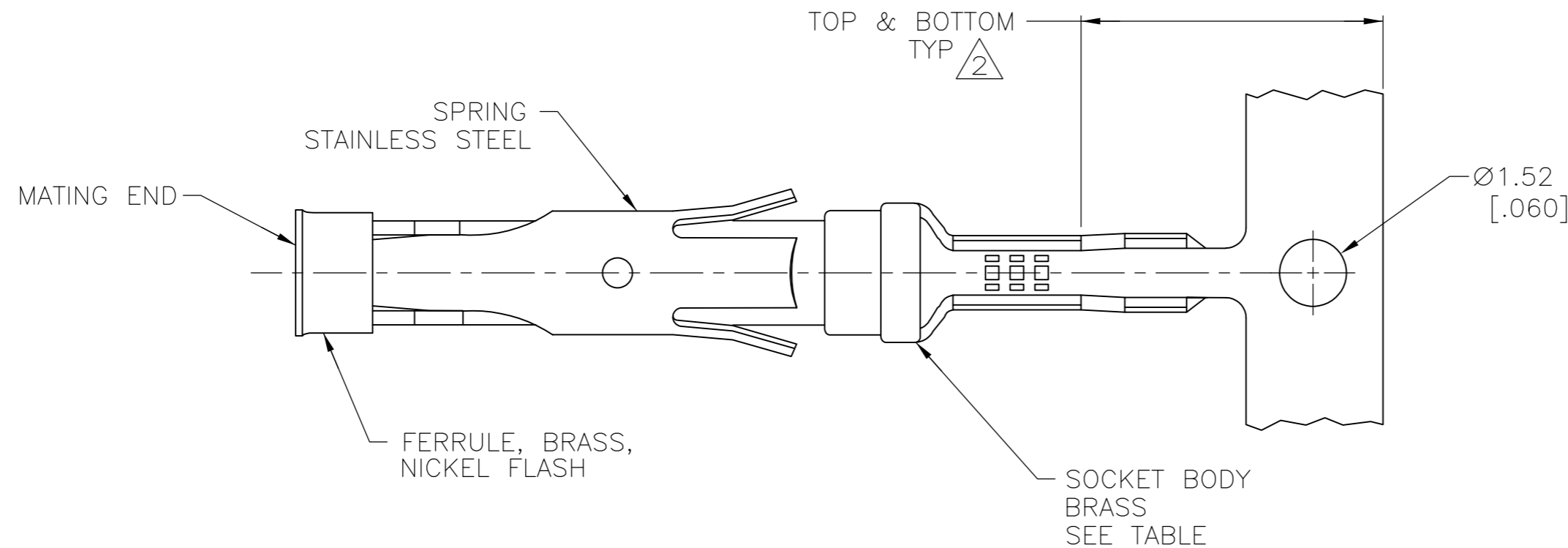
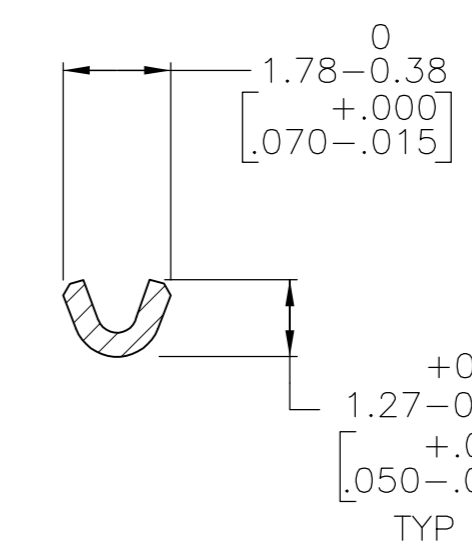
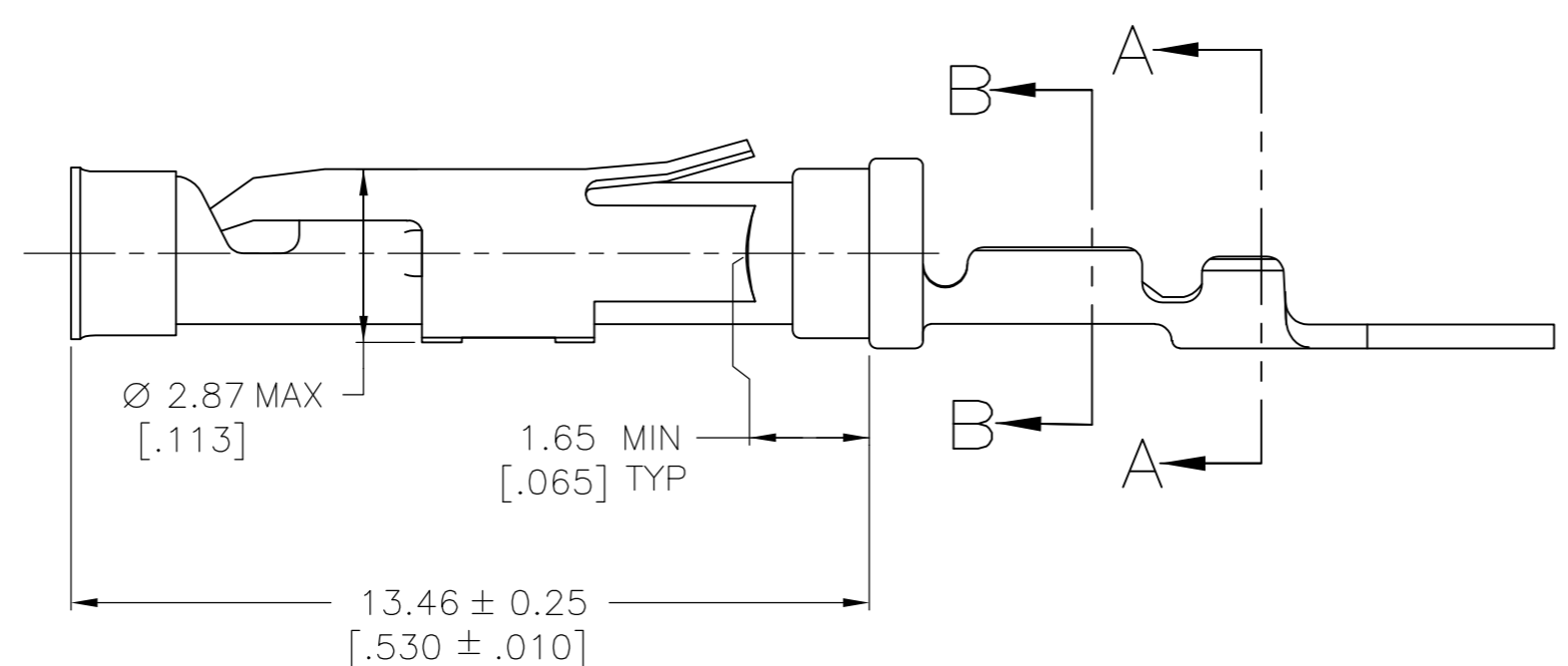
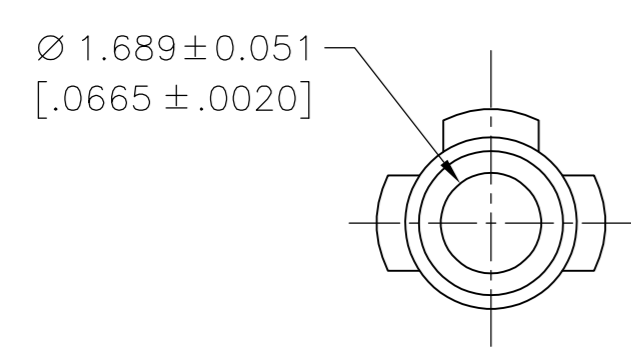


THIS DRAWING IS UNPUBLISHED. RELEASED FOR PUBLICATION
 © COPYRIGHT - By - ALL RIGHTS RESERVED.

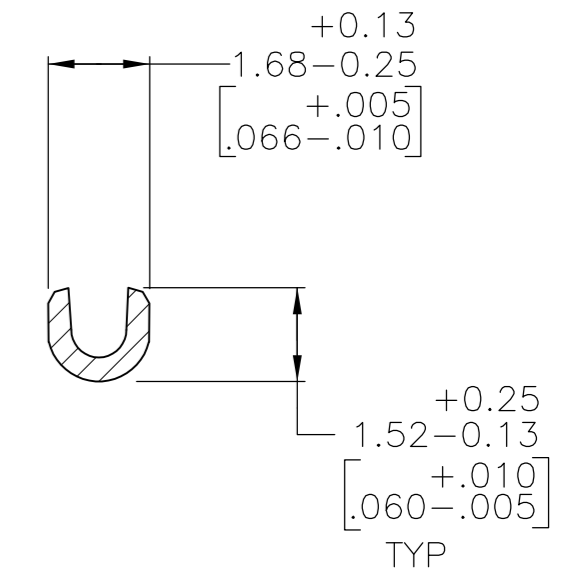
REVISIONS				
P	LTR	DESCRIPTION	DATE	APVD
C1		REVISED PER ECO-16-004223	20JUL2016	NK MZ



DETAIL F
SCALE 6:1



SECTION B-B



SECTION A-A

- 1 0.76µm [.000030] MIN GOLD PER MIL-G-45204 ON MATING END FOR A LENGTH OF 5.08 [.200] MIN WITH 1.27µm [.000050] MIN MATTE TIN PLATE IN WIRE CRIMP AREA, BOTH OVER 0.76µm [.000030] MIN NICKEL PER QQ-N-290.
- 2 GOLD PLATING NEED NOT APPEAR IN THIS AREA.
- 3 REELED FOR MINI-APPLICATOR.
- 4 WIRE RANGE 28-30 AWG. INSULATION RANGE Ø3.81 [.015]-7.62 [.030]
- 5 0.38µm [.000015] MIN GOLD PER MIL-G-45204 ON MATING END FOR A LENGTH OF 5.08 [.200] MIN WITH 1.27µm [.000050] MIN MATTE TIN PLATE IN WIRE CRIMP AREA, BOTH OVER 0.76µm [.000030] MIN NICKEL PER QQ-N-290.

OBSOLETE	PER DETAIL F	1	788088-3
	-	5	788088-2
	-	1	788088-1
	LOOSE PIECE	FINISH SOCKET BODY	PART NUMBER

THIS DRAWING IS A CONTROLLED DOCUMENT.		DWN 21 NOV 96 C.OBERMAN	TE TE Connectivity	
DIMENSIONS: mm [INCHES]		CHK 22 NOV 96 R.STONE		
TOLERANCES UNLESS OTHERWISE SPECIFIED:		APVD 22 NOV 96 G.STEINHAUER	NAME	
0 PLC ± -		PRODUCT SPEC	SOCKET ASSEMBLY, .062, TYPE III+	
1 PLC ± -		APPLICATION SPEC	108-10042	
2 PLC ± 0.13 [.005]		WEIGHT	114-10004	
3 PLC ± -		SCALE	A2 00779 C=788088	
4 PLC ± -		SHEET	1 of 1	
ANGLES ± -		REV	C1	
MATERIAL SEE CALLOUTS		FINISH SEE CALLOUTS	CUSTOMER DRAWING	