



Is Now Part of



**ON Semiconductor®**

To learn more about ON Semiconductor, please visit our website at  
[www.onsemi.com](http://www.onsemi.com)

Please note: As part of the Fairchild Semiconductor integration, some of the Fairchild orderable part numbers will need to change in order to meet ON Semiconductor's system requirements. Since the ON Semiconductor product management systems do not have the ability to manage part nomenclature that utilizes an underscore (\_), the underscore (\_) in the Fairchild part numbers will be changed to a dash (-). This document may contain device numbers with an underscore (\_). Please check the ON Semiconductor website to verify the updated device numbers. The most current and up-to-date ordering information can be found at [www.onsemi.com](http://www.onsemi.com). Please email any questions regarding the system integration to [Fairchild\\_questions@onsemi.com](mailto:Fairchild_questions@onsemi.com).

ON Semiconductor and the ON Semiconductor logo are trademarks of Semiconductor Components Industries, LLC dba ON Semiconductor or its subsidiaries in the United States and/or other countries. ON Semiconductor owns the rights to a number of patents, trademarks, copyrights, trade secrets, and other intellectual property. A listing of ON Semiconductor's product/patent coverage may be accessed at [www.onsemi.com/site/pdf/Patent-Marking.pdf](http://www.onsemi.com/site/pdf/Patent-Marking.pdf). ON Semiconductor reserves the right to make changes without further notice to any products herein. ON Semiconductor makes no warranty, representation or guarantee regarding the suitability of its products for any particular purpose, nor does ON Semiconductor assume any liability arising out of the application or use of any product or circuit, and specifically disclaims any and all liability, including without limitation special, consequential or incidental damages. Buyer is responsible for its products and applications using ON Semiconductor products, including compliance with all laws, regulations and safety requirements or standards, regardless of any support or applications information provided by ON Semiconductor. "Typical" parameters which may be provided in ON Semiconductor data sheets and/or specifications can and do vary in different applications and actual performance may vary over time. All operating parameters, including "Typicals" must be validated for each customer application by customer's technical experts. ON Semiconductor does not convey any license under its patent rights nor the rights of others. ON Semiconductor products are not designed, intended, or authorized for use as a critical component in life support systems or any FDA Class 3 medical devices or medical devices with a same or similar classification in a foreign jurisdiction or any devices intended for implantation in the human body. Should Buyer purchase or use ON Semiconductor products for any such unintended or unauthorized application, Buyer shall indemnify and hold ON Semiconductor and its officers, employees, subsidiaries, affiliates, and distributors harmless against all claims, costs, damages, and expenses, and reasonable attorney fees arising out of, directly or indirectly, any claim of personal injury or death associated with such unintended or unauthorized use, even if such claim alleges that ON Semiconductor was negligent regarding the design or manufacture of the part. ON Semiconductor is an Equal Opportunity/Affirmative Action Employer. This literature is subject to all applicable copyright laws and is not for resale in any manner.

# FSL156MRBN

## Green-Mode Fairchild Power Switch (FPS™)

### Features

- Advanced Soft Burst-Mode Operation for Low Standby Power and Low Audible Noise
- Random Frequency Fluctuation (RFF) for Low EMI
- Pulse-by-Pulse Current Limit
- Various Protection Functions: Overload Protection (OLP), Over-Voltage Protection (OVP), Abnormal Over-Current Protection (AOCP), Internal Thermal Shutdown (TSD) with Hysteresis, Output-Short Protection (OSP), and Under-Voltage Lockout (UVLO) with Hysteresis
- Low Operating Current (0.4mA) in Burst Mode
- Internal Startup Circuit
- Internal High-Voltage SenseFET: 650V
- Built-in Soft-Start: 15ms
- Auto-Restart Mode

### Description

The FSL156MRBN is an integrated Pulse Width Modulation (PWM) controller and SenseFET specifically designed for offline Switch-Mode Power Supplies (SMPS) with minimal external components. The PWM controller includes an integrated fixed-frequency oscillator, Under-Voltage Lockout (UVLO), Leading-Edge Blanking (LEB), optimized gate driver, internal soft-start, temperature-compensated precise current sources for loop compensation, and self-protection circuitry. Compared with a discrete MOSFET and PWM controller solution, the FSL156MRBN series can reduce total cost, component count, size, and weight; while simultaneously increasing efficiency, productivity, and system reliability. This device provides a basic platform suited for cost-effective design of a flyback converter.

### Applications

- Power Supply for LCD Monitor, STB, and DVD Combination

### Ordering Information

| Part Number | Package | Operating Junction Temperature | Current Limit | R <sub>DS(ON)</sub> (Max.) | Output Power Table <sup>(2)</sup>      |                           |                        |                           | Replaces Device     |
|-------------|---------|--------------------------------|---------------|----------------------------|--|---------------------------|------------------------|---------------------------|---------------------|
|             |         |                                |               |                            | 230V <sub>AC</sub> ±15% <sup>(3)</sup> |                           | 85-265V <sub>AC</sub>  |                           |                     |
|             |         |                                |               |                            | Adapter <sup>(4)</sup>                 | Open Frame <sup>(5)</sup> | Adapter <sup>(4)</sup> | Open Frame <sup>(5)</sup> |                     |
| FSL156MRBN  | 8-DIP   | -40°C ~ +125°C                 | 1.60A         | 2.2Ω                       | 26W                                    | 40W                       | 20W                    | 30W                       | FSFM300N<br>FSGM300 |

#### Notes:

1. Lead-free package per JEDEC J-STD-020B.
2. The junction temperature can limit the maximum output power.
3. 230V<sub>AC</sub> or 100/115V<sub>AC</sub> with voltage doubler.
4. Typical continuous power in a non-ventilated enclosed adapter measured at 50°C ambient temperature.
5. Maximum practical continuous power in an open-frame design at 50°C ambient temperature.



## Pin Configuration

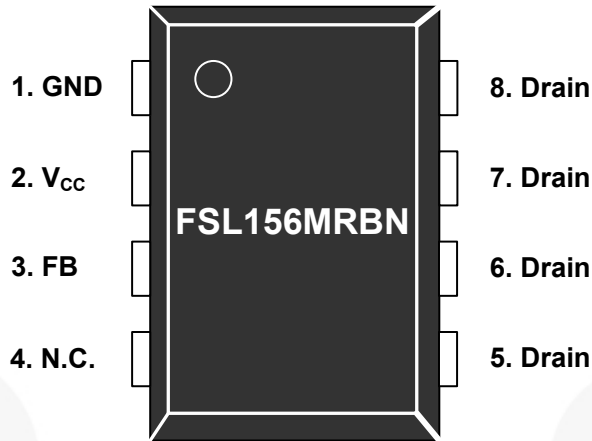


Figure 3. Pin Configuration (Top View)

## Pin Definitions

| Pin #      | Name            | Description  |
|------------|-----------------|--|
| 1          | GND             | <b>Ground.</b> This pin is the control ground and the SenseFET source.   |
| 2          | V <sub>CC</sub> | <b>Power Supply.</b> This pin is the positive supply input, which provides the internal operating current for both startup and steady-state operation.   |
| 3          | FB              | <b>Feedback.</b> This pin is internally connected to the inverting input of the PWM comparator. The collector of an opto-coupler is typically tied to this pin. For stable operation, a capacitor should be placed between this pin and GND. If the voltage of this pin reaches 7.0V, the overload protection triggers, which shuts down the FPS™. |
| 4          | N.C.            | No Connection  |
| 5, 6, 7, 8 | Drain           | <b>SenseFET Drain.</b> High-voltage power SenseFET drain connection.   |

## Absolute Maximum Ratings

Stresses exceeding the absolute maximum ratings may damage the device. The device may not function or be operable above the recommended operating conditions and stressing the parts to these levels is not recommended. In addition, extended exposure to stresses above the recommended operating conditions may affect device reliability. The absolute maximum ratings are stress ratings only.

| Symbol           | Parameter   | Min.                              | Max. | Unit |
|------------------|---|-----------------------------------|------|------|
| V <sub>DS</sub>  | Drain Pin Voltage   |                                   | 650  | V    |
| V <sub>CC</sub>  | V <sub>CC</sub> Pin Voltage                                   |                                   | 26   | V    |
| V <sub>FB</sub>  | Feedback Pin Voltage  | -0.3                              | 10.0 | V    |
| I <sub>DM</sub>  | Drain Current Pulsed  |                                   | 4    | A    |
| I <sub>DS</sub>  | Continuous Switching Drain Current <sup>(6)</sup>             | T <sub>C</sub> =25°C              | 1.90 | A    |
|                  |   | T <sub>C</sub> =100°C             | 1.27 | A    |
| E <sub>AS</sub>  | Single Pulsed Avalanche Energy <sup>(7)</sup>                 |                                   | 190  | mJ   |
| P <sub>D</sub>   | Total Power Dissipation (T <sub>C</sub> =25°C) <sup>(8)</sup> |                                   | 1.5  | W    |
| T <sub>J</sub>   | Maximum Junction Temperature                                  |                                   | 150  | °C   |
|                  | Operating Junction Temperature <sup>(9)</sup>                 | -40                               | +125 | °C   |
| T <sub>STG</sub> | Storage Temperature   | -55                               | +150 | °C   |
| ESD              | Electrostatic Discharge Capability                            | Human Body Model, JESD22-A114     | 5    | kV   |
|                  |   | Charged Device Model, JESD22-C101 | 2    |      |

### Notes:

6. Repetitive peak switching current when the inductive load is assumed: Limited by maximum duty (D<sub>MAX</sub>=0.73) and junction temperature (see Figure 4).
7. L=45mH, starting T<sub>J</sub>=25°C.
8. Infinite cooling condition (refer to the SEMI G30-88).
9. Although this parameter guarantees IC operation, it does not guarantee all electrical characteristics.

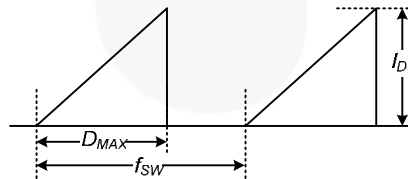


Figure 4. Repetitive Peak Switching Current

## Thermal Impedance

T<sub>A</sub>=25°C unless otherwise specified.

| Symbol          | Parameter   | Value | Unit |
|-----------------|---|-------|------|
| θ <sub>JA</sub> | Junction-to-Ambient Thermal Impedance <sup>(10)</sup> | 85    | °C/W |
| ψ <sub>JL</sub> | Junction-to-Lead Thermal Impedance <sup>(11)</sup>    | 11    | °C/W |

### Notes:

10. JEDEC recommended environment, JESD51-2 and test board, JESD51-10 with minimum land pattern.
11. Measured on the SOURCE pin #7, close to the plastic interface.

## Electrical Characteristics

T<sub>J</sub> = 25°C unless otherwise specified.

| Symbol                    | Parameter                                     | Conditions   | Min. | Typ. | Max. | Unit |
|---------------------------|---|--|------|------|------|------|
| <b>SenseFET Section</b>   |   |  |      |      |      |      |
| BV <sub>DSS</sub>         | Drain-Source Breakdown Voltage                | V <sub>CC</sub> = 0V, I <sub>D</sub> = 250μA                     | 650  |      |      | V    |
| I <sub>DSS</sub>          | Zero-Gate-Voltage Drain Current               | V <sub>DS</sub> = 650V, T <sub>A</sub> = 25°C                    |      |      | 250  | μA   |
| R <sub>DS(ON)</sub>       | Drain-Source On-State Resistance              | V <sub>GS</sub> =10V, I <sub>D</sub> =1A                         |      | 1.8  | 2.2  | Ω    |
| C <sub>ISS</sub>          | Input Capacitance <sup>(12)</sup>             | V <sub>DS</sub> = 25V, V <sub>GS</sub> = 0V, f=1MHz              |      | 515  |      | pF   |
| C <sub>OSS</sub>          | Output Capacitance <sup>(12)</sup>            | V <sub>DS</sub> = 25V, V <sub>GS</sub> = 0V, f=1MHz              |      | 75   |      | pF   |
| t <sub>r</sub>            | Rise Time                                     | V <sub>DS</sub> = 325V, I <sub>D</sub> = 4A, R <sub>G</sub> =25Ω |      | 26   |      | ns   |
| t <sub>f</sub>            | Fall Time                                     | V <sub>DS</sub> = 325V, I <sub>D</sub> = 4A, R <sub>G</sub> =25Ω |      | 25   |      | ns   |
| t <sub>d(on)</sub>        | Turn-On Delay                                 | V <sub>DS</sub> = 325V, I <sub>D</sub> = 4A, R <sub>G</sub> =25Ω |      | 14   |      | ns   |
| t <sub>d(off)</sub>       | Turn-Off Delay                                | V <sub>DS</sub> = 325V, I <sub>D</sub> = 4A, R <sub>G</sub> =25Ω |      | 32   |      | ns   |
| <b>Control Section</b>    |   |  |      |      |      |      |
| f <sub>S</sub>            | Switching Frequency <sup>(12)</sup>           | V <sub>CC</sub> = 14V, V <sub>FB</sub> = 4V                      | 61   | 67   | 73   | kHz  |
| Δf <sub>S</sub>           | Switching Frequency Variation <sup>(12)</sup> | -25°C < T <sub>J</sub> < 125°C                                   |      | ±5   | ±10  | %    |
| D <sub>MAX</sub>          | Maximum Duty Ratio                            | V <sub>CC</sub> = 14V, V <sub>FB</sub> = 4V                      | 61   | 67   | 73   | %    |
| D <sub>MIN</sub>          | Minimum Duty Ratio                            | V <sub>CC</sub> = 14V, V <sub>FB</sub> = 0V                      |      |      | 0    | %    |
| I <sub>FB</sub>           | Feedback Source Current                       | V <sub>FB</sub> = 0  | 65   | 90   | 115  | μA   |
| V <sub>START</sub>        | UVLO Threshold Voltage                        | V <sub>FB</sub> = 0V, V <sub>CC</sub> Sweep                      | 11   | 12   | 13   | V    |
| V <sub>STOP</sub>         |   | After Turn-On, V <sub>FB</sub> = 0V                              | 7.0  | 7.5  | 8.0  | V    |
| t <sub>SS</sub>           | Internal Soft-Start Time                      | V <sub>STR</sub> = 40V, V <sub>CC</sub> Sweep                    |      | 15   |      | ms   |
| V <sub>RECOMM</sub>       | Recommended V <sub>CC</sub> Range             |  | 13   |      | 23   | V    |
| <b>Burst-Mode Section</b> |   |  |      |      |      |      |
| V <sub>BURH</sub>         | Burst-Mode Voltage                            | V <sub>CC</sub> = 14V, V <sub>FB</sub> Sweep                     | 0.45 | 0.50 | 0.55 | V    |
| V <sub>BURL</sub>         |   |  | 0.30 | 0.35 | 0.40 | V    |
| V <sub>HYS</sub>          |   |  |      | 150  |      | mV   |
| <b>Protection Section</b> |   |  |      |      |      |      |
| I <sub>LIM</sub>          | Peak Drain Current Limit                      | di/dt = 300mA/μs   | 1.45 | 1.60 | 1.75 | A    |
| V <sub>SD</sub>           | Shutdown Feedback Voltage                     | V <sub>CC</sub> = 14V, V <sub>FB</sub> Sweep                     | 6.45 | 7.00 | 7.55 | V    |
| I <sub>DELAY</sub>        | Shutdown Delay Current                        | V <sub>CC</sub> = 14V, V <sub>FB</sub> = 4V                      | 1.2  | 2.0  | 2.8  | μA   |
| t <sub>LEB</sub>          | Leading-Edge Blanking Time <sup>(12,14)</sup> |  |      | 300  |      | ns   |
| V <sub>OVP</sub>          | Over-Voltage Protection                       | V <sub>CC</sub> Sweep  | 23.0 | 24.5 | 26.0 | V    |
| t <sub>OSP</sub>          | Output-Short Protection <sup>(12)</sup>       | Threshold Time   | 0.7  | 1.0  | 1.3  | μs   |
| V <sub>OSP</sub>          |   | Threshold V <sub>FB</sub>  | 1.8  | 2.0  | 2.2  | V    |
| t <sub>OSP_FB</sub>       |   | V <sub>FB</sub> Blanking Time                                    | 2.0  | 2.5  | 3.0  | μs   |
| TSD                       | Thermal Shutdown Temperature <sup>(12)</sup>  | Shutdown Temperature   | 125  | 135  | 145  | °C   |
| T <sub>HYS</sub>          |   | Hysteresis   |      | 60   |      | °C   |

Continued on the following page...

## Electrical Characteristics (Continued)

T<sub>J</sub> = 25°C unless otherwise specified.

| Symbol                      | Parameter   | Conditions  | Min. | Typ. | Max. | Unit |
|-----------------------------|---|---|------|------|------|------|
| <b>Total Device Section</b> |   |   |      |      |      |      |
| I <sub>OP</sub>             | Operating Supply Current, (Control Part in Burst Mode)        | V <sub>CC</sub> = 14V, V <sub>FB</sub> = 0V                               | 0.3  | 0.4  | 0.5  | mA   |
| I <sub>OPS</sub>            | Operating Switching Current, (Control Part and SenseFET Part) | V <sub>CC</sub> = 14V, V <sub>FB</sub> = 2V                               | 1.1  | 1.5  | 1.9  | mA   |
| I <sub>START</sub>          | Start Current   | V <sub>CC</sub> =11V (Before V <sub>CC</sub> Reaches V <sub>START</sub> ) | 85   | 120  | 155  | μA   |
| I <sub>CH</sub>             | Startup Charging Current                                      | V <sub>CC</sub> = V <sub>FB</sub> = 0V, V <sub>STR</sub> = 40V            | 0.7  | 1.0  | 1.3  | mA   |
| V <sub>STR</sub>            | Minimum V <sub>STR</sub> Supply Voltage                       | V <sub>CC</sub> = V <sub>FB</sub> = 0V, V <sub>STR</sub> Sweep            |      | 26   |      | V    |

### Notes:

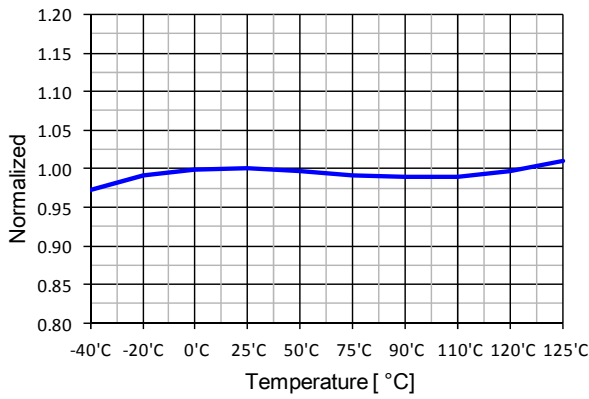
12. Although these parameters are guaranteed, they are not 100% tested in production.
13. Average value.
14. t<sub>LEB</sub> includes gate turn-on time.

## Comparison of FSGM300N and FSL156MRBN

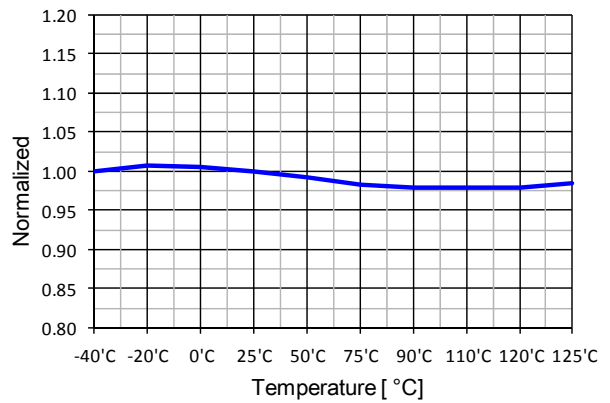
| Function          | FSGM300N              | FSL156MRBN                  | Advantages of FSL156MRBN   |
|-------------------|-----------------------|-----------------------------|--|
| Operating Current | 1.5mA                 | 0.4mA                       | Very low standby power   |
| Power Balance     | Long t <sub>CLD</sub> | Very Short t <sub>CLD</sub> | The difference of input power between the low and high input voltage is quite small. |

## Typical Performance Characteristics

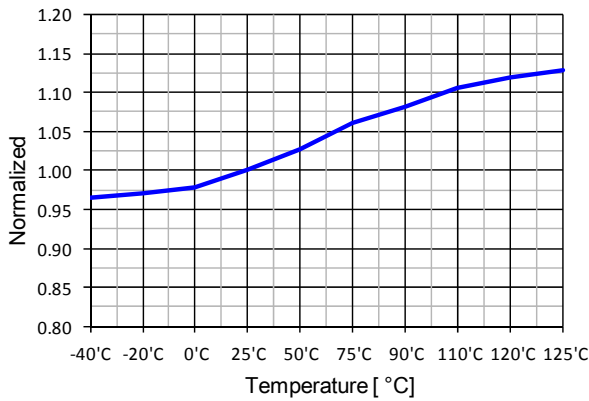
Characteristic graphs are normalized at  $T_A=25^\circ\text{C}$ .



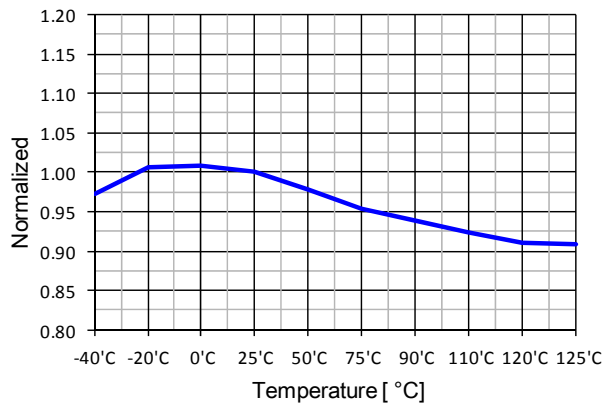
**Figure 5. Operating Supply Current ( $I_{OP}$ ) vs.  $T_A$**



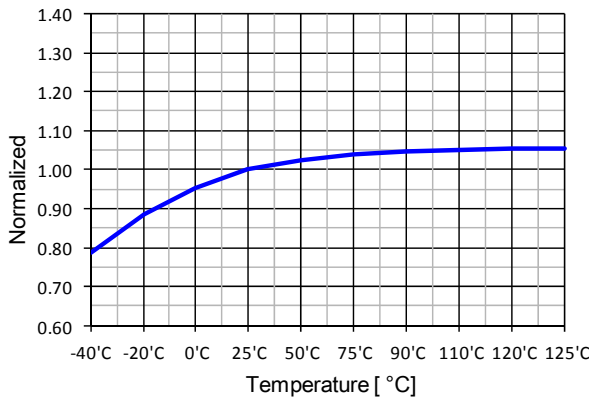
**Figure 6. Operating Switching Current ( $I_{OPS}$ ) vs.  $T_A$**



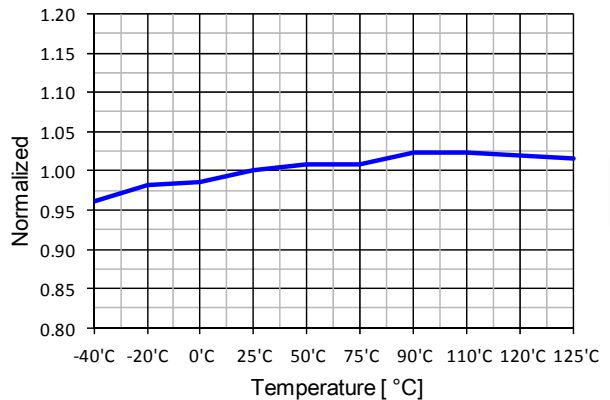
**Figure 7. Startup Charging Current ( $I_{CH}$ ) vs.  $T_A$**



**Figure 8. Peak Drain Current Limit ( $I_{LIM}$ ) vs.  $T_A$**



**Figure 9. Feedback Source Current ( $I_{FB}$ ) vs.  $T_A$**



**Figure 10. Shutdown Delay Current ( $I_{DELAY}$ ) vs.  $T_A$**



## Typical Performance Characteristics

Characteristic graphs are normalized at  $T_A=25^\circ\text{C}$ .

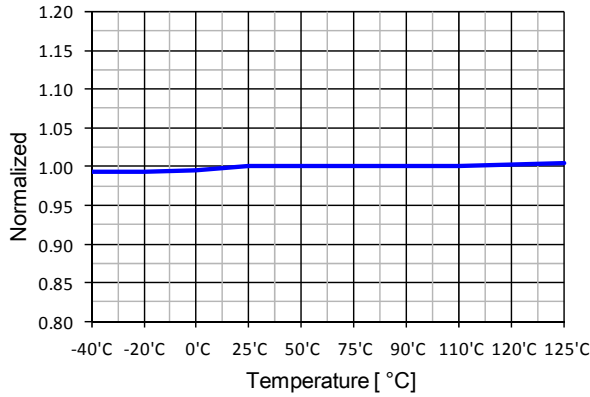


Figure 11. UVLO Threshold Voltage ( $V_{START}$ ) vs.  $T_A$

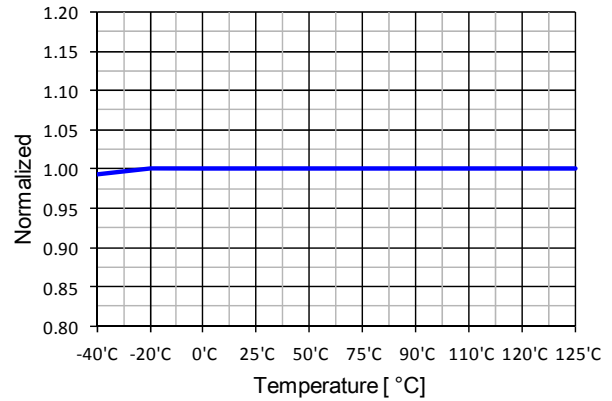


Figure 12. UVLO Threshold Voltage ( $V_{STOP}$ ) vs.  $T_A$

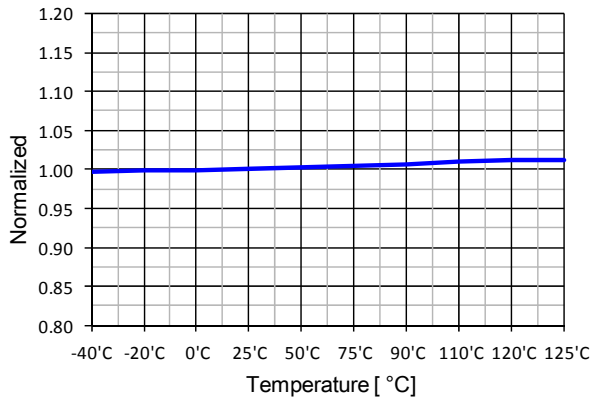


Figure 13. Shutdown Feedback Voltage ( $V_{SD}$ ) vs.  $T_A$

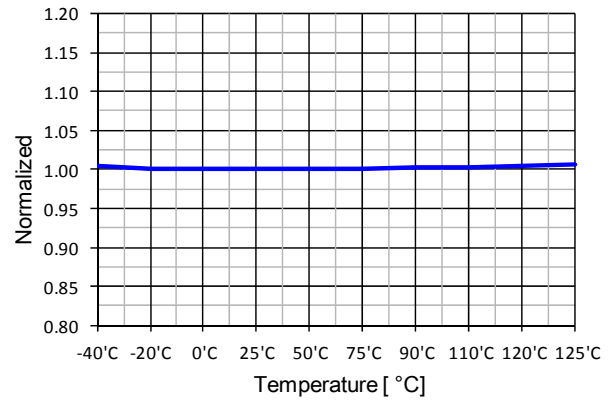


Figure 14. Over-Voltage Protection ( $V_{OVP}$ ) vs.  $T_A$

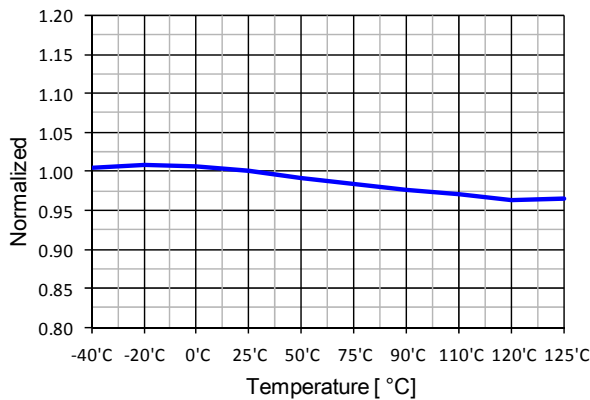


Figure 15. Switching Frequency ( $f_s$ ) vs.  $T_A$

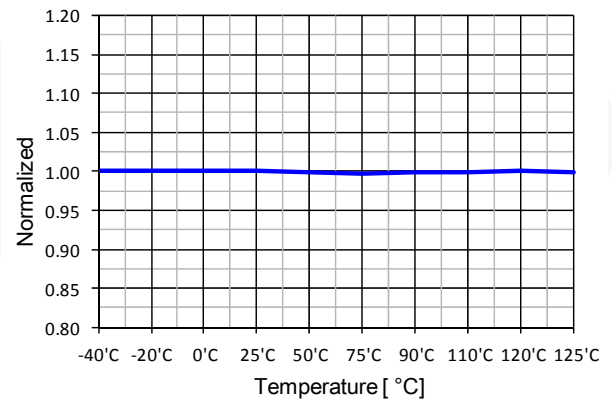
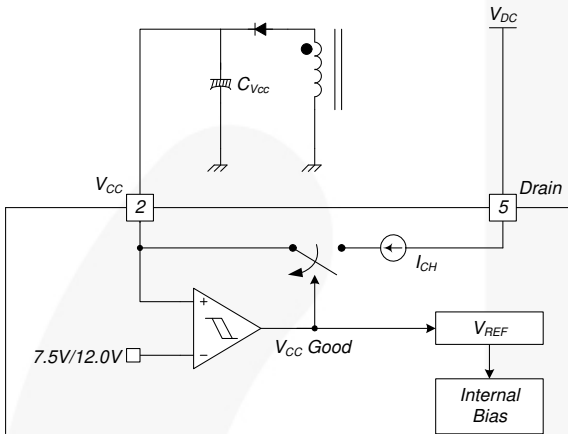


Figure 16. Maximum Duty Ratio ( $D_{MAX}$ ) vs.  $T_A$

## Functional Description

**1. Startup:** At startup, an internal high-voltage current source supplies the internal bias and charges the external capacitor ( $C_{VCC}$ ) connected to the  $V_{CC}$  pin, as illustrated in Figure 17. When  $V_{CC}$  reaches 12V, the FSL156MRBN begins switching and the internal high-voltage current source is disabled. Normal switching operation continues and the power is supplied from the auxiliary transformer winding unless  $V_{CC}$  goes below the stop voltage of 7.5V.



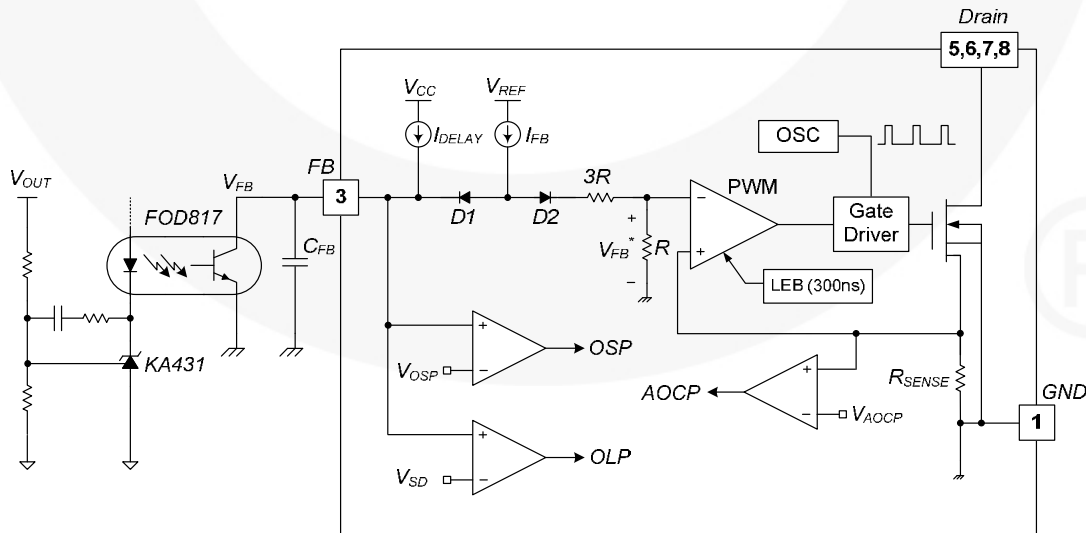
**Figure 17. Startup Block**

**2. Soft-Start:** The internal soft-start circuit increases PWM comparator inverting input voltage, together with the SenseFET current, slowly after startup. The typical soft-start time is 15ms. The pulse width to the power switching device is progressively increased to establish the correct working conditions for the transformers, inductors, and capacitors. The voltage on the output capacitors is progressively increased to smoothly establish the required output voltage. This helps prevent transformer saturation and reduces stress on the secondary diode during startup.

**3. Feedback Control:** This device employs Current-Mode control, as shown in Figure 18. An opto-coupler (such as the FOD817) and shunt regulator (such as the KA431) are typically used to implement the feedback network. Comparing the feedback voltage with the voltage across the  $R_{SENSE}$  resistor makes it possible to control the switching duty cycle. When the reference pin voltage of the shunt regulator exceeds the internal reference voltage of 2.5V, the opto-coupler LED current increases, pulling down the feedback voltage and reducing drain current. This typically occurs when the input voltage is increased or the output load is decreased.

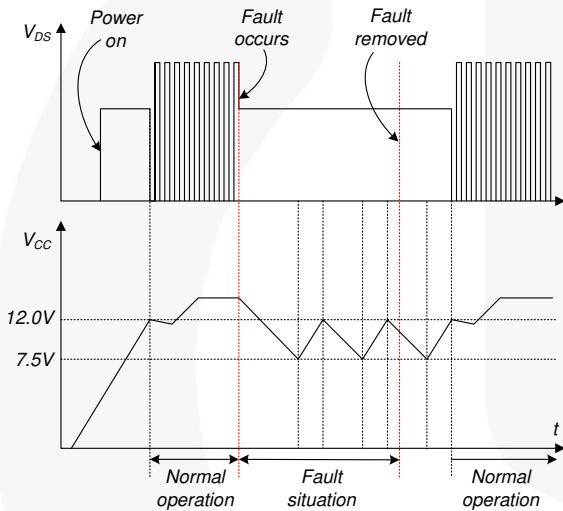
**3.1 Pulse-by-Pulse Current Limit:** Because Current-Mode control is employed, the peak current through the SenseFET is limited by the inverting input of PWM comparator ( $V_{FB}^*$ ), as shown in Figure 18. Assuming that the  $90\mu A$  current source flows only through the internal resistor ( $3R + R = 25k\Omega$ ), the cathode voltage of diode D2 is about 2.8V. Since D1 is blocked when the feedback voltage ( $V_{FB}$ ) exceeds 2.8V, the maximum voltage of the cathode of D2 is clamped at this voltage. Therefore, the peak value of the current through the SenseFET is limited.

**3.2 Leading-Edge Blanking (LEB):** At the instant the internal SenseFET is turned on, a high-current spike usually occurs through the SenseFET, caused by primary-side capacitance and secondary-side rectifier reverse recovery. Excessive voltage across the  $R_{SENSE}$  resistor leads to incorrect feedback operation in the Current-Mode PWM control. To counter this effect, the leading-edge blanking (LEB) circuit inhibits the PWM comparator for  $t_{LEB}$  (300ns) after the SenseFET is turned on.



**Figure 18. Pulse Width Modulation Circuit**

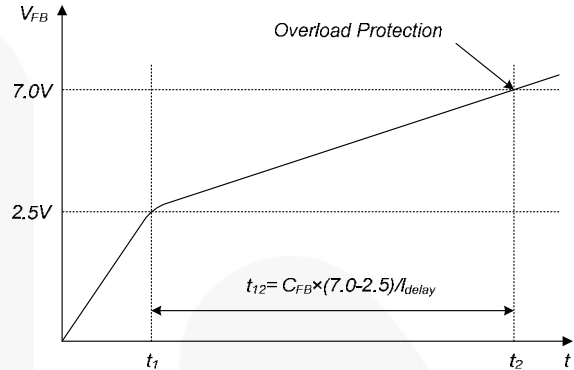
**4. Protection Circuits:** The FSL156MRBN has several self-protective functions, such as Overload Protection (OLP), Abnormal Over-Current Protection (AOCP), Output-Short Protection (OSP), Over-Voltage Protection (OVP), and Thermal Shutdown (TSD). All the protections are implemented as auto-restart. Once the fault condition is detected, switching is terminated and the SenseFET remains off. This causes  $V_{CC}$  to fall. When  $V_{CC}$  falls to the Under-Voltage Lockout (UVLO) stop voltage of 7.5V, the protection is reset and the startup circuit charges the  $V_{CC}$  capacitor. When  $V_{CC}$  reaches the start voltage of 12.0V, normal operation resumes. If the fault condition is not removed, the SenseFET remains off and  $V_{CC}$  drops to stop voltage again. In this manner, the auto-restart can alternately enable and disable the switching of the power SenseFET until the fault condition is eliminated. Because these protection circuits are fully integrated into the IC without external components, reliability is improved without increasing cost.



**Figure 19. Auto-Restart Protection Waveforms**

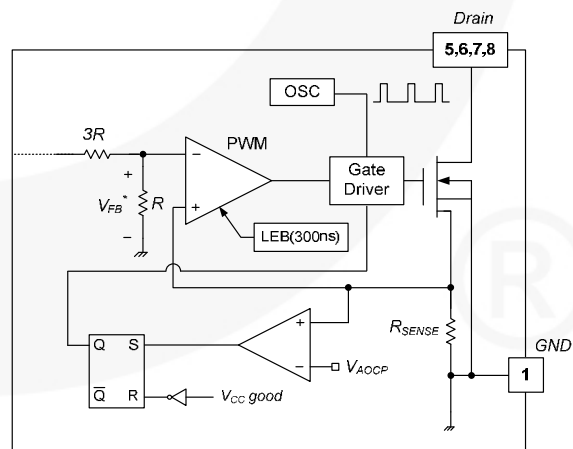
**4.1 Overload Protection (OLP):** Overload is defined as the load current exceeding its normal level due to an unexpected abnormal event. In this situation, the protection circuit should trigger to protect the SMPS. However, even when the SMPS is in normal operation, the overload protection circuit can be triggered during the load transition. To avoid this undesired operation, the overload protection circuit is designed to trigger only after a specified time to determine whether it is a transient situation or a true overload situation. Because of the pulse-by-pulse current-limit capability, the maximum peak current through the SenseFET is limited and, therefore, the maximum input power is restricted with a given input voltage. If the output consumes more than this maximum power, the output voltage ( $V_{OUT}$ ) decreases below the set voltage. This reduces the current through the opto-coupler LED, which also reduces the opto-coupler transistor current, increasing the feedback voltage ( $V_{FB}$ ). If  $V_{FB}$  exceeds 2.5V, D1 is blocked and the 2.0 $\mu$ A current source starts to charge

$C_{FB}$  slowly up. In this condition,  $V_{FB}$  continues increasing until it reaches 7.0V, when the switching operation is terminated, as shown in Figure 20. The delay for shutdown is the time required to charge  $C_{FB}$  from 2.5V to 7.0V with 2.0 $\mu$ A. A 25 ~ 50ms delay is typical for most applications. This protection is implemented in Auto-Restart Mode.



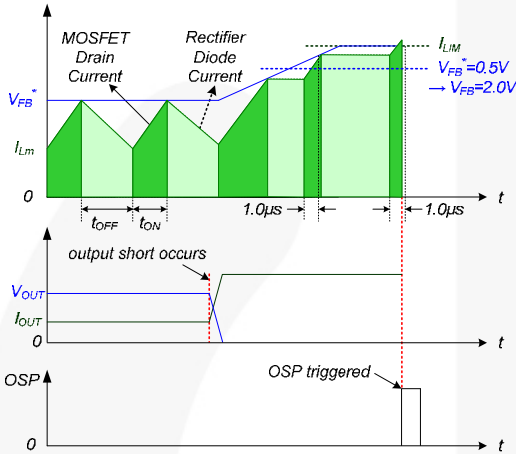
**Figure 20. Overload Protection**

**4.2 Abnormal Over-Current Protection (AOCP):** When the secondary rectifier diodes or the transformer pins are shorted, a steep current with extremely high di/dt can flow through the SenseFET during the minimum turn-on time. Even though the FSL156MRBN has overload protection, it is not enough to protect in that abnormal case due to the severe current stress imposed on the SenseFET until OLP is triggered. The internal AOCP circuit is shown in Figure 21. When the gate turn-on signal is applied to the power SenseFET, the AOCP block is enabled and monitors the current through the sensing resistor. The voltage across the resistor is compared with a preset AOCP level. If the sensing resistor voltage is greater than the AOCP level, the set signal is applied to the S-R latch, resulting in the shutdown of the SMPS.



**Figure 21. Abnormal Over-Current Protection**

**4.3. Output-Short Protection (OSP):** If the output is shorted, steep current with extremely high di/dt can flow through the SenseFET during the minimum turn-on time. Such a steep current brings high-voltage stress on the drain of the SenseFET when turned off. To protect the device from this abnormal condition, OSP is included. It is comprised of detecting  $V_{FB}$  and SenseFET turn-on time. When the  $V_{FB}$  is higher than 2.0V and the SenseFET turn-on time is lower than  $1.0\mu s$ , this condition is recognized as an abnormal error and PWM switching shuts down until  $V_{CC}$  reaches  $V_{START}$  again. An abnormal condition output short is shown in Figure 22.

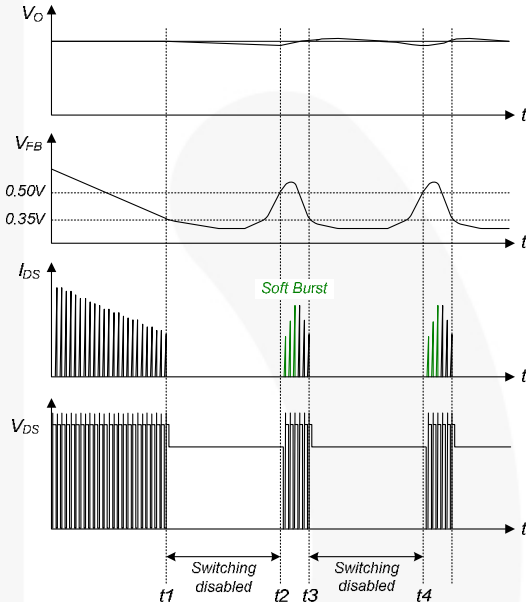


**Figure 22. Output-Short Protection**

**4.4 Over-Voltage Protection (OVP):** If the secondary-side feedback circuit malfunctions or a solder defect causes an opening in the feedback path, the current through the opto-coupler transistor becomes almost zero. Then  $V_{FB}$  climbs up in a similar manner to the overload situation, forcing the preset maximum current to be supplied to the SMPS until the overload protection is triggered. Because more energy than required is provided to the output, the output voltage may exceed the rated voltage before the overload protection is triggered, resulting in the breakdown of the devices in the secondary side. To prevent this situation, an OVP circuit is employed. In general, the  $V_{CC}$  is proportional to the output voltage and the FSL156MRBN uses  $V_{CC}$  instead of directly monitoring the output voltage. If  $V_{CC}$  exceeds 24.5V, an OVP circuit is triggered, resulting in the termination of the switching operation. To avoid undesired activation of OVP during normal operation,  $V_{CC}$  should be designed to be below 24.5V.

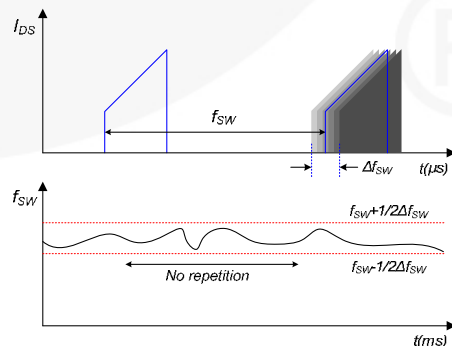
**4.5 Thermal Shutdown (TSD):** The SenseFET and the control IC on a die in one package makes it easier for the control IC to detect the over temperature of the SenseFET. If the temperature exceeds  $\sim 135^{\circ}C$ , the thermal shutdown is triggered and stops operation. The FSL156MRBN operates in Auto-Restart Mode until the temperature decreases to around  $75^{\circ}C$ , when normal operation resumes.

**5. Soft Burst-Mode Operation:** To minimize power dissipation in Standby Mode, the FSL156MRBN enters Burst-Mode operation. As the load decreases, the feedback voltage decreases. As shown in Figure 23, the device automatically enters Burst Mode when the feedback voltage drops below  $V_{BURL}$  (350mV). At this point, switching stops and the output voltages start to drop at a rate dependent on standby current load. This causes the feedback voltage to rise. Once it passes  $V_{BURH}$  (500mV), switching resumes. The feedback voltage then falls and the process repeats. Burst Mode alternately enables and disables SenseFET switching, reducing switching loss in Standby Mode.



**Figure 23. Burst-Mode Operation**

**6. Random Frequency Fluctuation (RFF):** Fluctuating switching frequency of an SMPS can reduce EMI by spreading the energy over a wide frequency range. The amount of EMI reduction is directly related to the switching frequency variation, which is limited internally. The switching frequency is determined randomly by external feedback voltage and an internal free-running oscillator at every switching instant. RFF effectively scatters EMI noise around typical switching frequency (67kHz) and can reduce the cost of the input filter included to meet the EMI requirements (e.g. EN55022).



**Figure 24. Random Frequency Fluctuation**

## Typical Application Circuit

| Application              | Input Voltage           | Rated Output            | Rated Power |
|--------------------------|-------------------------|-------------------------|-------------|
| LCD Monitor Power Supply | 85 ~ 265V <sub>AC</sub> | 5.0V(2A)<br>14.0V(1.3A) | 28.2W       |

### Key Design Notes

1. The delay for overload protection is designed to be about 30ms with C105 (8.2nF). OLP time between 39ms (12nF) and 46ms (15nF) is recommended.
2. The SMD-type capacitor (C106) must be placed as close as possible to the V<sub>CC</sub> pin to avoid malfunction by abrupt pulsating noises and to improve ESD and surge immunity. Capacitance between 100nF and 220nF is recommended.

### Schematic

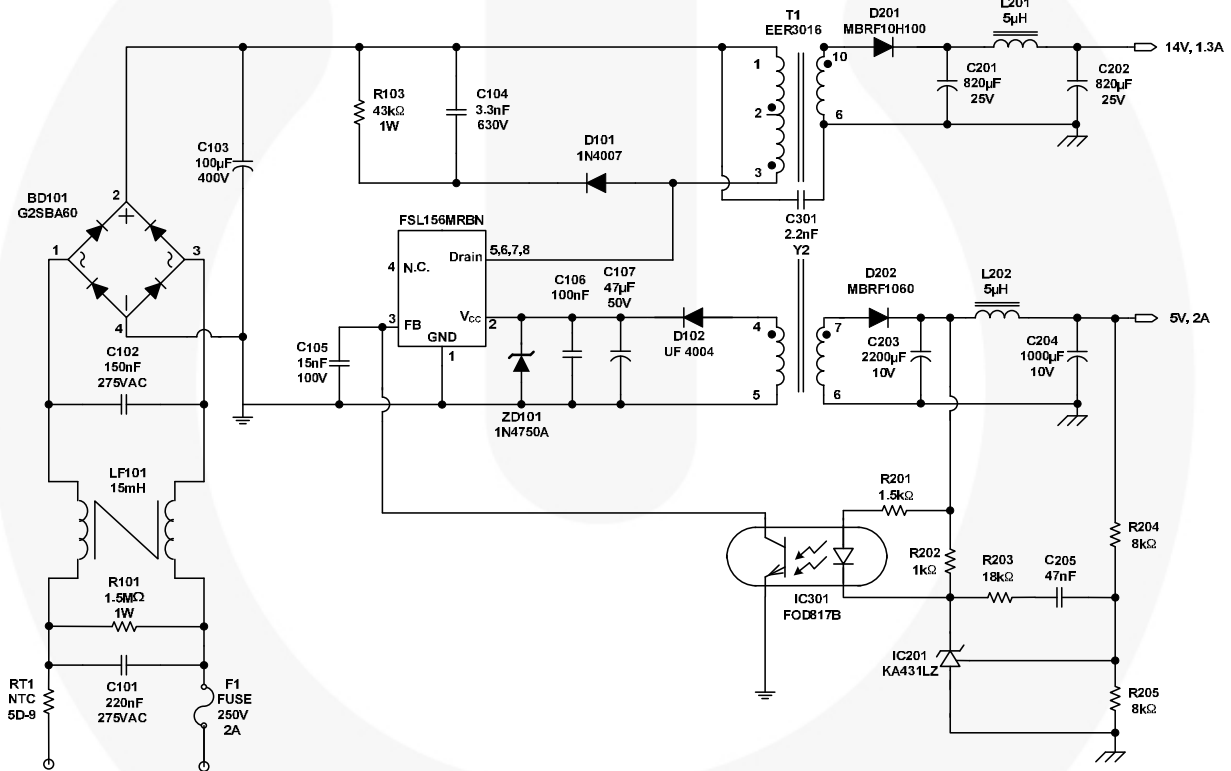


Figure 25. Schematic

## Transformer

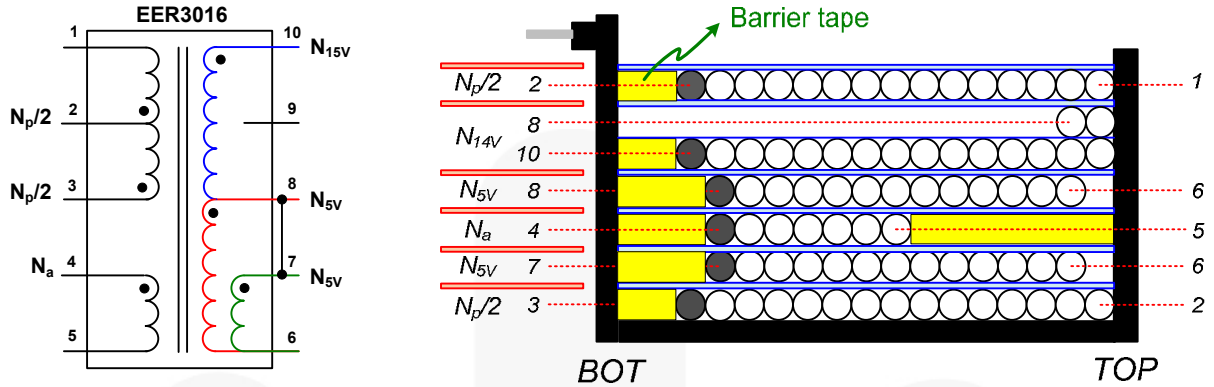


Figure 26. Schematic of Transformer

## Winding Specification

|  | Pin (S → F) | Wire                | Turns | Winding Method   | Barrier Tape |       |    |
|--|-------------|---------------------|-------|------------------|--------------|-------|----|
|  |             |                     |       |                  | TOP          | BOT   | Ts |
| $N_p/2$  | 3 → 2       | 0.25 $\phi$ ×1      | 22    | Solenoid Winding |              | 2.0mm | 1  |
| Insulation: Polyester Tape t = 0.025mm, 2 Layers |             |                     |       |                  |              |       |    |
| $N_{5V}$   | 7 → 6       | 0.4 $\phi$ ×2 (TIW) | 3     | Solenoid Winding |              | 3.0mm | 1  |
| Insulation: Polyester Tape t = 0.025mm, 2 Layers |             |                     |       |                  |              |       |    |
| $N_a$  | 4 → 5       | 0.2 $\phi$ ×1       | 8     | Solenoid Winding | 4.0mm        | 3.0mm | 1  |
| Insulation: Polyester Tape t = 0.025mm, 2 Layers |             |                     |       |                  |              |       |    |
| $N_{5V}$   | 8 → 6       | 0.4 $\phi$ ×2 (TIW) | 3     | Solenoid Winding |              | 3.0mm | 1  |
| Insulation: Polyester Tape t = 0.025mm, 2 Layers |             |                     |       |                  |              |       |    |
| $N_{14V}$  | 10 → 8      | 0.4 $\phi$ ×2 (TIW) | 5     | Solenoid Winding |              | 2.0mm | 1  |
| Insulation: Polyester Tape t = 0.025mm, 2 Layers |             |                     |       |                  |              |       |    |
| $N_p/2$  | 2 → 1       | 0.25 $\phi$ ×1      | 22    | Solenoid Winding |              | 2.0mm | 1  |
| Insulation: Polyester Tape t = 0.025mm, 2 Layers |             |                     |       |                  |              |       |    |

## Electrical Characteristics

|            | Pin | Specification        | Remark               |
|------------|-----|----------------------|----------------------|
| Inductance | 1–3 | 826 $\mu$ H $\pm$ 6% | 67kHz, 1V            |
| Leakage    | 1–3 | 15 $\mu$ H Maximum   | Short all other pins |

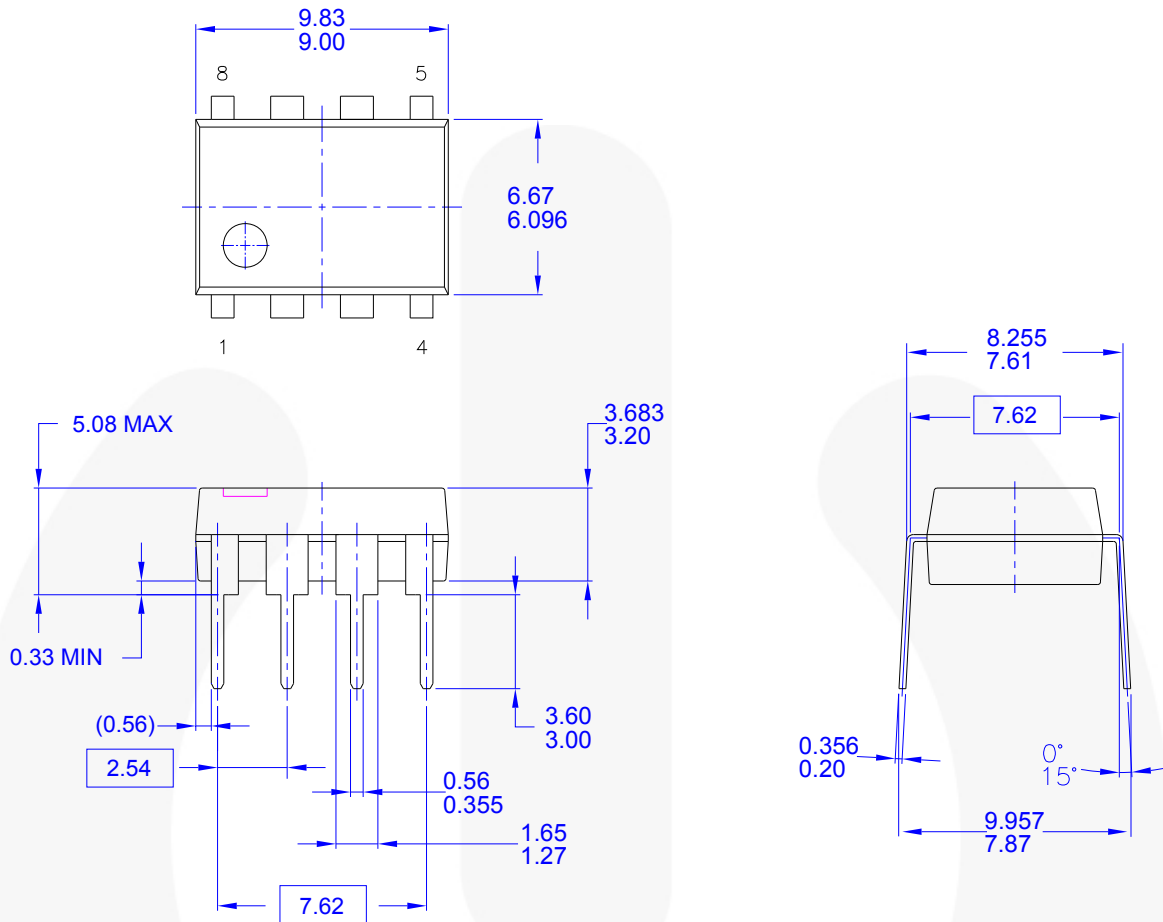
## Core & Bobbin

- Core: EER3016 ( $A_e=109.7\text{mm}^2$ )
- Bobbin: EER3016

## Bill of Materials

| Part #          | Value      | Note      | Part #             | Value        | Note                    |
|-----------------|------------|-----------|--------------------|--------------|-------------------------|
| <b>Fuse</b>     |            |           | <b>Capacitor</b>   |              |                         |
| F101            | 250V 2A    |           | C101               | 220nF / 275V | Box (Pilkor)            |
| <b>NTC</b>      |            |           | C102               | 150nF/275V   | Box (Pilkor)            |
| NTC101          | 5D-9       | DSC       | C103               | 100µF / 400V | Electrolytic (SamYoung) |
| <b>Resistor</b> |            |           | C104               | 3.3nF/630V   | Film (Sehwa)            |
| R101            | 1.5MΩ, J   | 1W        | C105               | 15nF / 100V  | Film (Sehwa)            |
| R103            | 43kΩ, J    | 1W        | C106               | 100nF        | SMD (2012)              |
| R201            | 1.5kΩ, F   | 1/4W, 1%  | C107               | 47µF / 50V   | Electrolytic (SamYoung) |
| R202            | 1.0kΩ, F   | 1/4W, 1%  | C201               | 820µF / 25V  | Electrolytic (SamYoung) |
| R203            | 18kΩ, F    | 1/4W, 1%  | C202               | 820µF / 25V  | Electrolytic (SamYoung) |
| R204            | 8kΩ, F     | 1/4W, 1%  | C203               | 2200µF / 10V | Electrolytic (SamYoung) |
| R205            | 8kΩ, F     | 1/4W, 1%  | C204               | 1000µF / 16V | Electrolytic (SamYoung) |
|                 |            |           | C205               | 47nF / 100V  | Film (Sehwa)            |
|                 |            |           | C301               | 2.2nF / Y2   | Y-cap (Samhwa)          |
| <b>IC</b>       |            |           | <b>Inductor</b>    |              |                         |
| FPS             | FSL156MRBN | Fairchild | LF101              | 20mH         | Line filter 0.5Ø        |
| IC201           | KA431LZ    | Fairchild | L201               | 5µH          | 5A Rating               |
| IC301           | FOD817B    | Fairchild | L202               | 5µH          | 5A Rating               |
| <b>Diode</b>    |            |           | <b>Transformer</b> |              |                         |
| D101            | 1N4007     | Vishay    | T101               | 826µH        |                         |
| D102            | UF4007     | Vishay    |                    |              |                         |
| ZD101           | 1N4750     | Vishay    |                    |              |                         |
| D201            | MBRF10H100 | Fairchild |                    |              |                         |
| D202            | MBRF1060   | Fairchild |                    |              |                         |
| BD101           | G2SBA60    | Vishay    |                    |              |                         |

## Physical Dimensions



- NOTES: UNLESS OTHERWISE SPECIFIED**
- A) THIS PACKAGE CONFORMS TO JEDEC MS-001 VARIATION BA
  - B) ALL DIMENSIONS ARE IN MILLIMETERS.
  - C) DIMENSIONS ARE EXCLUSIVE OF BURRS, MOLD FLASH, AND TIE BAR EXTRUSIONS.
  - D) DIMENSIONS AND TOLERANCES PER ASME Y14.5M-1994
  - E) DRAWING FILENAME AND REVISION: MKT-N08FREV2.

**Figure 27. 8-Lead, MDIP, JEDEC MS-001, .300" Wide**

Package drawings are provided as a service to customers considering Fairchild components. Drawings may change in any manner without notice. Please note the revision and/or date on the drawing and contact a Fairchild Semiconductor representative to verify or obtain the most recent revision. Package specifications do not expand the terms of Fairchild's worldwide terms and conditions, specifically the warranty therein, which covers Fairchild products.

Always visit Fairchild Semiconductor's online packaging area for the most recent package drawings:  
<http://www.fairchildsemi.com/packaging/>.





**TRADEMARKS**

The following includes registered and unregistered trademarks and service marks, owned by Fairchild Semiconductor and/or its global subsidiaries, and is not intended to be an exhaustive list of all such trademarks.

- |  |  |  |   |
|--|--|--|---|
| 2Cool™   | F-PFS™   | PowerTrench®   | The Power Franchise®  |
| AccuPower™   | FRFET®   | PowerXS™   | the <b>power</b> franchise  |
| AX-CAP™*   | Global Power Resource™                         | Programmable Active Droop™   | TinyBoost™  |
| BITSiC™  | GreenBridge™                                   | QFET®  | TinyBuck™   |
| Build it Now™  | Green FPS™                                     | QS™  | TinyCalc™   |
| CorePLUS™  | Green FPS™ e-Series™                           | Quiet Series™  | TinyLogic®  |
| CorePOWER™   | Gmax™  | RapidConfigure™  | TINYOPTO™   |
| CROSSVOLT™   | GTO™   |  ™                | TinyPower™  |
| CTL™   | IntelliMAX™                                    | Saving our world, 1mW/W at a time™   | TinyPWM™  |
| Current Transfer Logic™  | ISOPLANAR™                                     | SignalWise™  | TinyWire™   |
| DEUXPEED®  | Making Small Speakers Sound Louder and Better™ | SmartMax™  | TranSiC™  |
| Dual Cool™   | MegaBuck™                                      | SMART START™   | TriFault Detect™  |
| EcoSPARK®  | MICROCOUPLER™                                  | Solutions for Your Success™  | TRUECURRENT®*   |
| EfficientMax™  | MicroFET™                                      | SPM®   | µSerDes™  |
| ESBC™  | MicroPak™                                      | STEALTH™   |  SerDes™ |
|  Fairchild® | MicroPak2™                                     | SuperFET®  | UHC®  |
| Fairchild Semiconductor®   | MillerDrive™                                   | SuperSOT™-3  | Ultra FRFET™  |
| FACT Quiet Series™   | MotionMax™                                     | SuperSOT™-6  | UniFET™   |
| FACT®  | Motion-SPM™                                    | SuperSOT™-8  | VCM™  |
| FAST®  | mWSaver™                                       | SupreMOS®  | VisualMax™  |
| FastvCore™   | OptoHiT™                                       | SyncFET™   | VoltagePlus™  |
| FETBench™  | OPTOLOGIC®                                     | Sync-Lock™   | XS™   |
| FlashWriter®*  | OPTOPLANAR®                                    |  SYSTEM GENERAL®* |   |
| FPS™   |  |  |   |

\* Trademarks of System General Corporation, used under license by Fairchild Semiconductor.

**DISCLAIMER**

FAIRCHILD SEMICONDUCTOR RESERVES THE RIGHT TO MAKE CHANGES WITHOUT FURTHER NOTICE TO ANY PRODUCTS HEREIN TO IMPROVE RELIABILITY, FUNCTION, OR DESIGN. FAIRCHILD DOES NOT ASSUME ANY LIABILITY ARISING OUT OF THE APPLICATION OR USE OF ANY PRODUCT OR CIRCUIT DESCRIBED HEREIN; NEITHER DOES IT CONVEY ANY LICENSE UNDER ITS PATENT RIGHTS, NOR THE RIGHTS OF OTHERS. THESE SPECIFICATIONS DO NOT EXPAND THE TERMS OF FAIRCHILD'S WORLDWIDE TERMS AND CONDITIONS, SPECIFICALLY THE WARRANTY THEREIN, WHICH COVERS THESE PRODUCTS.

**LIFE SUPPORT POLICY**

FAIRCHILD'S PRODUCTS ARE NOT AUTHORIZED FOR USE AS CRITICAL COMPONENTS IN LIFE SUPPORT DEVICES OR SYSTEMS WITHOUT THE EXPRESS WRITTEN APPROVAL OF FAIRCHILD SEMICONDUCTOR CORPORATION.

As used herein:

- Life support devices or systems are devices or systems which, (a) are intended for surgical implant into the body or (b) support or sustain life, and (c) whose failure to perform when properly used in accordance with instructions for use provided in the labeling, can be reasonably expected to result in a significant injury of the user.
- A critical component in any component of a life support, device, or system whose failure to perform can be reasonably expected to cause the failure of the life support device or system, or to affect its safety or effectiveness.

**ANTI-COUNTERFEITING POLICY**

Fairchild Semiconductor Corporation's Anti-Counterfeiting Policy. Fairchild's Anti-Counterfeiting Policy is also stated on our external website, [www.fairchildsemi.com](http://www.fairchildsemi.com), under Sales Support.

Counterfeiting of semiconductor parts is a growing problem in the industry. All manufacturers of semiconductor products are experiencing counterfeiting of their parts. Customers who inadvertently purchase counterfeit parts experience many problems such as loss of brand reputation, substandard performance, failed applications, and increased cost of production and manufacturing delays. Fairchild is taking strong measures to protect ourselves and our customers from the proliferation of counterfeit parts. Fairchild strongly encourages customers to purchase Fairchild parts either directly from Fairchild or from Authorized Fairchild Distributors who are listed by country on our web page cited above. Products customers buy either from Fairchild directly or from Authorized Fairchild Distributors are genuine parts, have full traceability, meet Fairchild's quality standards for handling and storage and provide access to Fairchild's full range of up-to-date technical and product information. Fairchild and our Authorized Distributors will stand behind all warranties and will appropriately address any warranty issues that may arise. Fairchild will not provide any warranty coverage or other assistance for parts bought from Unauthorized Sources. Fairchild is committed to combat this global problem and encourage our customers to do their part in stopping this practice by buying direct or from authorized distributors.

**PRODUCT STATUS DEFINITIONS**

**Definition of Terms**

| Datasheet Identification | Product Status        | Definition  |
|--------------------------|-----------------------|---|
| Advance Information      | Formative / In Design | Datasheet contains the design specifications for product development. Specifications may change in any manner without notice.   |
| Preliminary              | First Production      | Datasheet contains preliminary data; supplementary data will be published at a later date. Fairchild Semiconductor reserves the right to make changes at any time without notice to improve design. |
| No Identification Needed | Full Production       | Datasheet contains final specifications. Fairchild Semiconductor reserves the right to make changes at any time without notice to improve the design.   |
| Obsolete                 | Not In Production     | Datasheet contains specifications on a product that is discontinued by Fairchild Semiconductor. The datasheet is for reference information only.  |

Rev. 181

ON Semiconductor and  are trademarks of Semiconductor Components Industries, LLC dba ON Semiconductor or its subsidiaries in the United States and/or other countries. ON Semiconductor owns the rights to a number of patents, trademarks, copyrights, trade secrets, and other intellectual property. A listing of ON Semiconductor's product/patent coverage may be accessed at [www.onsemi.com/site/pdf/Patent-Marking.pdf](http://www.onsemi.com/site/pdf/Patent-Marking.pdf). ON Semiconductor reserves the right to make changes without further notice to any products herein. ON Semiconductor makes no warranty, representation or guarantee regarding the suitability of its products for any particular purpose, nor does ON Semiconductor assume any liability arising out of the application or use of any product or circuit, and specifically disclaims any and all liability, including without limitation special, consequential or incidental damages. Buyer is responsible for its products and applications using ON Semiconductor products, including compliance with all laws, regulations and safety requirements or standards, regardless of any support or applications information provided by ON Semiconductor. "Typical" parameters which may be provided in ON Semiconductor data sheets and/or specifications can and do vary in different applications and actual performance may vary over time. All operating parameters, including "Typicals" must be validated for each customer application by customer's technical experts. ON Semiconductor does not convey any license under its patent rights nor the rights of others. ON Semiconductor products are not designed, intended, or authorized for use as a critical component in life support systems or any FDA Class 3 medical devices or medical devices with a same or similar classification in a foreign jurisdiction or any devices intended for implantation in the human body. Should Buyer purchase or use ON Semiconductor products for any such unintended or unauthorized application, Buyer shall indemnify and hold ON Semiconductor and its officers, employees, subsidiaries, affiliates, and distributors harmless against all claims, costs, damages, and expenses, and reasonable attorney fees arising out of, directly or indirectly, any claim of personal injury or death associated with such unintended or unauthorized use, even if such claim alleges that ON Semiconductor was negligent regarding the design or manufacture of the part. ON Semiconductor is an Equal Opportunity/Affirmative Action Employer. This literature is subject to all applicable copyright laws and is not for resale in any manner.

## PUBLICATION ORDERING INFORMATION

### LITERATURE FULFILLMENT:

Literature Distribution Center for ON Semiconductor  
19521 E. 32nd Pkwy, Aurora, Colorado 80011 USA  
**Phone:** 303-675-2175 or 800-344-3860 Toll Free USA/Canada  
**Fax:** 303-675-2176 or 800-344-3867 Toll Free USA/Canada  
**Email:** [orderlit@onsemi.com](mailto:orderlit@onsemi.com)

**N. American Technical Support:** 800-282-9855 Toll Free  
USA/Canada  
**Europe, Middle East and Africa Technical Support:**  
Phone: 421 33 790 2910  
**Japan Customer Focus Center**  
Phone: 81-3-5817-1050

**ON Semiconductor Website:** [www.onsemi.com](http://www.onsemi.com)  
**Order Literature:** <http://www.onsemi.com/orderlit>  
For additional information, please contact your local  
Sales Representative