



# PRODUCT DATASHEET

## Emy series

last update 8/3/2014

### DETAILS

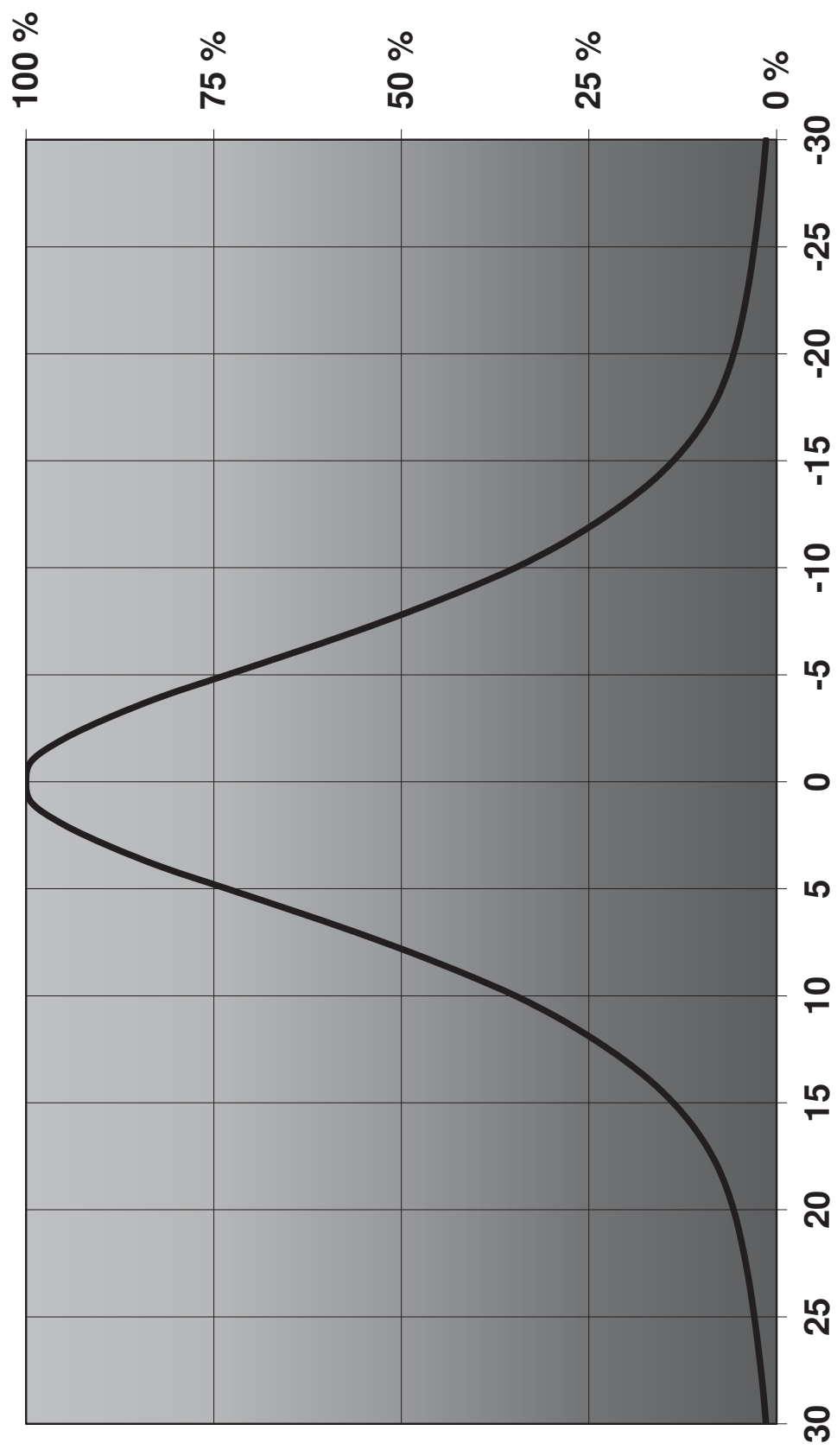
|                        |                     |
|------------------------|---------------------|
| <b>Product Number</b>  | C10535_NIS83-MX-6-S |
| <b>Family</b>          | Emy                 |
| <b>Type</b>            | Lens array          |
| <b>Color</b>           | clear               |
| <b>Diameter</b>        | 50 mm               |
| <b>Height</b>          | 14,4 mm             |
| <b>Style</b>           | round               |
| <b>Optic Material</b>  | PMMA                |
| <b>Holder Material</b> |                     |
| <b>Fastening</b>       | pin, glue           |
| <b>Status</b>          | production ready    |
| <b>ROHS Comliant</b>   | Yes                 |
| <b>Date Updated</b>    | 8/03/2014           |

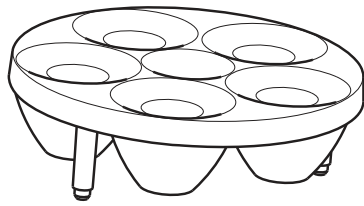


### OPTICAL PROPERTIES

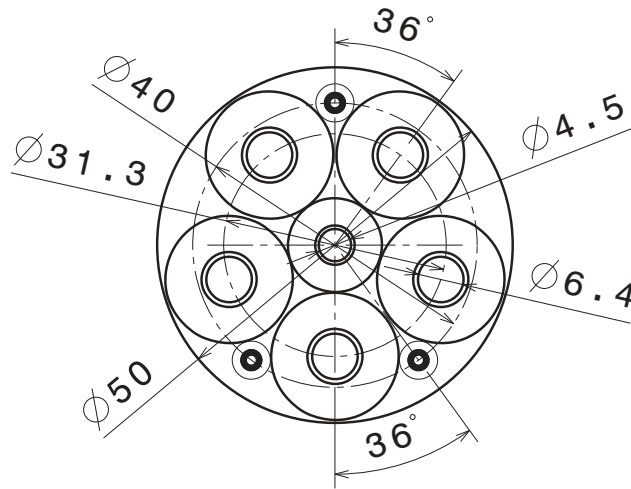
| LED    | Viewing | Light | Effi-  |       |           |
|--------|---------|-------|--------|-------|-----------|
|        | Angle   | Beam  | ciency | cd/lm | Connector |
| MX-6   | 16 deg  | Spot  | -      | -     | -         |
| NS6x83 | 12 deg  | Spot  | -      | -     | -         |

Relative Intensity of C10535\_NIS83-MX-6-S (MX-6)

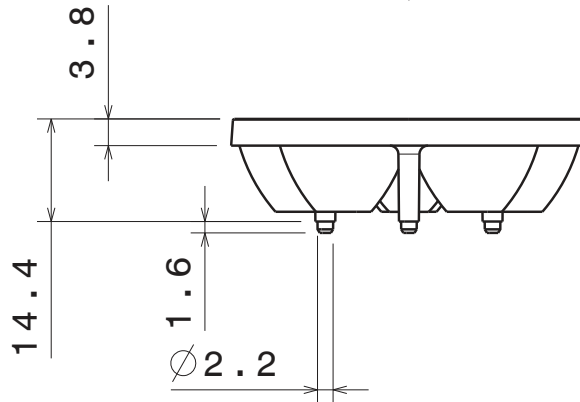




Isometric view



Bottom view



Front view

Material: PMMA

This drawing is our property.  
It can't be reproduced  
or communicated without  
our written agreement.



L  
T  
F  
F

e  
e  
i  
i  
n  
n

d

DRAWING TITLE

Datasheet NIS83-6-S lens

DRAWN BY

DATE

p

13.11.2009

CHECKED BY

DATE

s

n

02.11.2009

SIZE

DRAWING NUMBER

A4

C10535

REV

1

DESIGNED BY

DATE

HH

22.04.2008

SCALE

1:1

WEIGHT (g)

SHEET

1/1

D

A

**NOTE: The typical divergence will be changed by different color, chip size and chip position tolerance. The typical total divergence is the full angle measured where the luminous intensity is half of the peak value.**