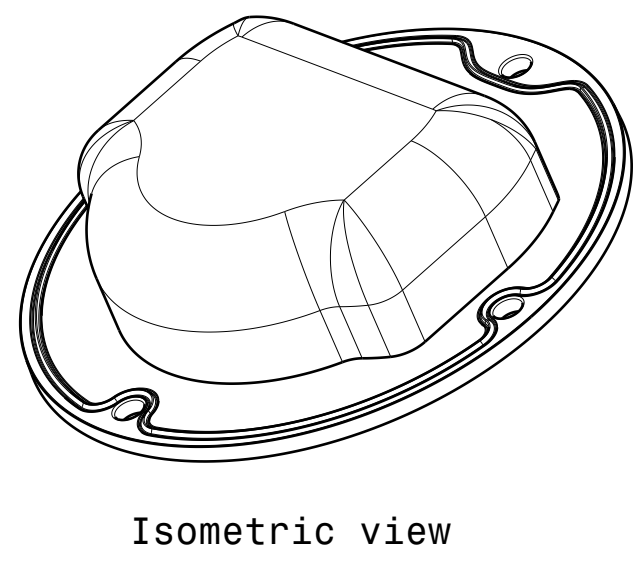
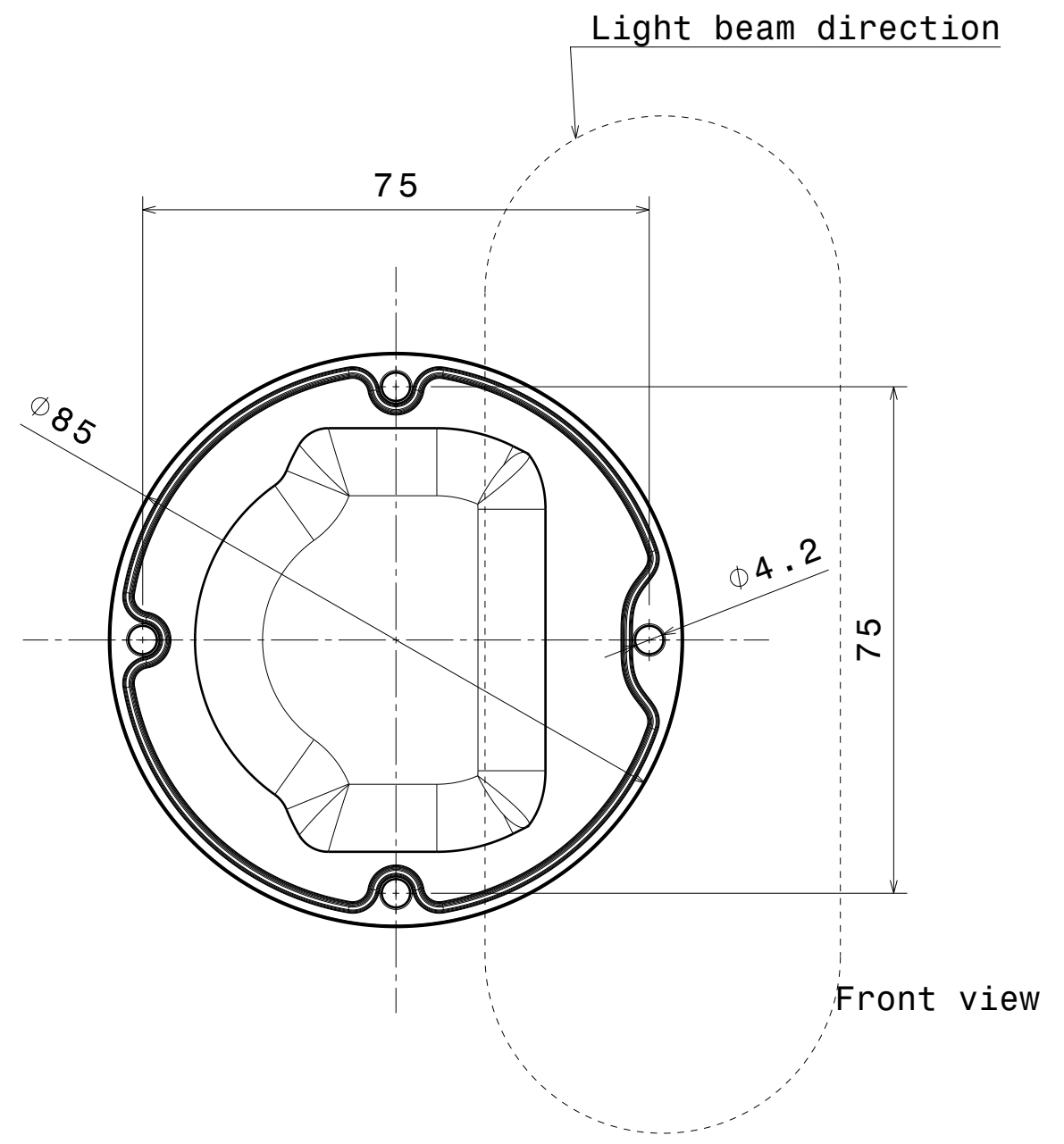
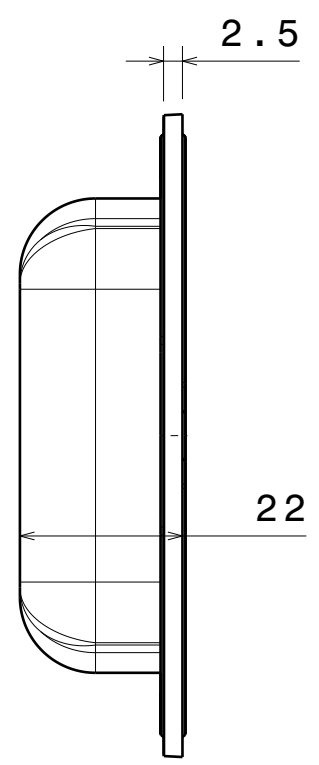
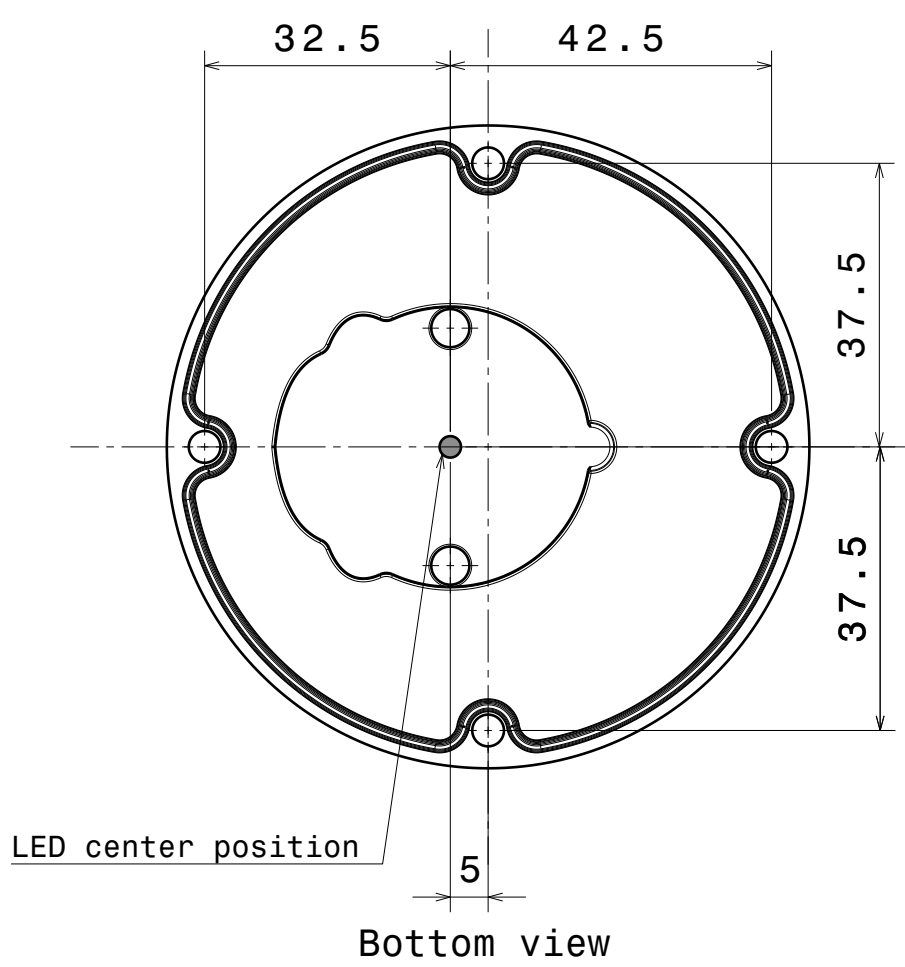


H G F E D C B A



INDEX	PART NO	DESCRIPTION	MATERIAL	COLOUR
1	F13321	STELLA-A	Optical grade LSR	

Tolerances if not otherwise shown
 According to DIN ISO 2768-1
 Linear measures: class V
 Please note that due to the elasticity of
 products made of silicone actual measured
 values may vary, and therefore typical
 tolerance values may not be applied.

LEDiL LediL Oy
 Salorankatu 10
 FIN 24240 SALO
 Finland

THIRD ANGLE PROJECTION:

DRAWING TITLE
F13321_STELLA-A

This drawing is the property
 of LEDiL Oy. It may not be
 reproduced, copied or
 communicated without a written
 agreement with LEDiL Oy.

SIZE	PART NUMBER
A3	F13321

SCALE	1:1	WEIGHT	58 g	SHEET	1/1
-------	-----	--------	------	-------	-----

H G B A