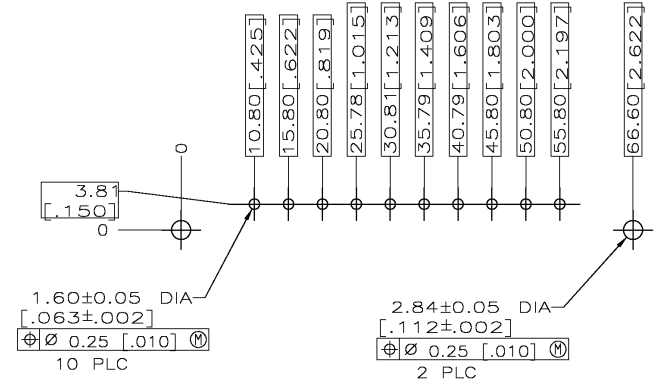
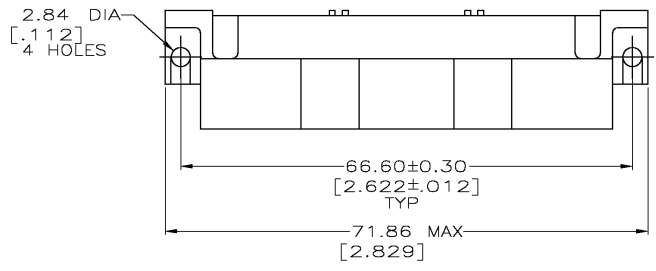
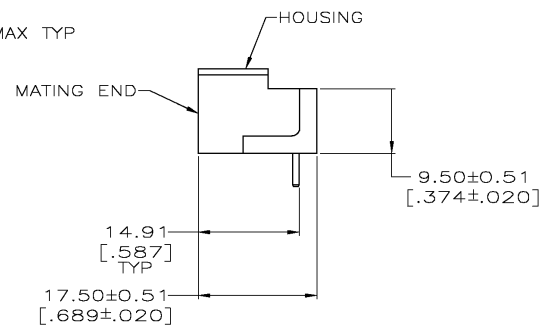
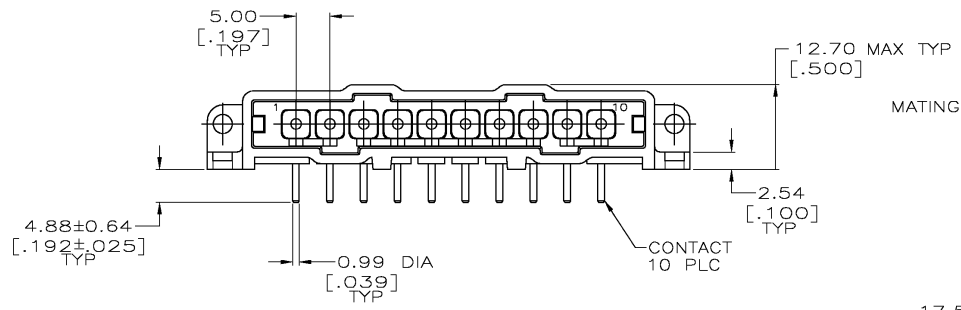


THIS DRAWING IS UNPUBLISHED. RELEASED FOR PUBLICATION  
 BY TYCO ELECTRONICS CORPORATION. ALL RIGHTS RESERVED.

LOC	DIST	REVISIONS			
P	U/R	DESCRIPTION	DATE	DWN	APP'D
BD	37	K	063B-0397-03	12MAY03	TK GS



RECOMMENDED PC BOARD LAYOUT



- ▲ NYLON, RED.
- ▲ BRASS PER ASTM B36.
- ▲ 3.81µm [0.000150] MIN TIN-LEAD OVER 2.54µm [0.000100] MIN COPPER OR 1.27µm [0.000050] MIN NICKEL.
- ▲ 0.76µm [0.000030] MIN GOLD FOR A LENGTH OF 5.08 [0.200] MIN FROM MATING END, 3.81µm [0.000150] MIN TIN-LEAD FOR A LENGTH OF 5.36 [0.211] MIN FROM OPPOSITE END, BOTH OVER 1.27µm [0.000050] MIN NICKEL.
- ▲ .000150 MIN LEAD FREE TIN OVER .000100 MIN COPPER, OR .000050 MIN NICKEL.

5	207398-6
4	207398-3
3	207398-1
FINISH	PART NO

THIS DRAWING IS A CONTROLLED DOCUMENT.		DWN L. SIPE 07/07/92	Tyco Electronics Corporation Harrisburg, Pa
DIMENSIONS: INCHES		CHK R. STONE 7-24-92	
TOLERANCES UNLESS OTHERWISE SPECIFIED:		APD A. TRAVIS 7-24-92	NAME A. TRAVIS
0 PLC ± - 1 PLC ± - 2 PLC ± 0.25 [010] 3 PLC ± - 4 PLC ± - ANGLES ± -		PRODUCT SPEC APPLICATION SPEC	PIN HEADER ASSEMBLY, 10 POSN, IN-LINE, RIGHT ANGLE, SMALL METRIC CONNECTOR, METRIMATE
MATERIAL HOUSING: 1	FINISH CONTACTS: SEE TBL	WEIGHT -	SIZE A2
CUSTOMER DRAWING		SCALE 2:1	RESTRICTED TO K