

# UKH 95-F - High-current terminal block



3247022

<https://www.phoenixcontact.com/us/products/3247022>

Please be informed that the data shown in this PDF document is generated from our online catalog. Please find the complete data in the user documentation. Our general terms of use for downloads are valid.



High-current terminal block, nom. voltage: 1000 V, nominal current: 232 A, number of connections: 2, connection method: Screw connection, Rated cross section: 95 mm<sup>2</sup>, cross section: 25 mm<sup>2</sup> - 95 mm<sup>2</sup>, mounting type: direct screw connection, color: gray

## Your advantages

- Reliable cable connection is ensured by three-point centering of the conductor in the prismatic sleeve base
- Screw locking by means of spring-loaded elements in the clamping part
- Low contact resistance of the contact surface due to ribbing

## Commercial data

Item number	3247022
Packing unit	1 pc
Minimum order quantity	10 pc
Sales key	BE13
Product key	BE1311
Catalog page	Page 195 (C-1-2019)
GTIN	4046356607254
Weight per piece (including packing)	237.3 g
Weight per piece (excluding packing)	230.09 g
Customs tariff number	85369010
Country of origin	IN

# UKH 95-F - High-current terminal block



3247022

<https://www.phoenixcontact.com/us/products/3247022>

## Technical data

### Product properties

Product type	High current terminal block
Number of connections	2
Number of rows	1
Potentials	1

### Insulation characteristics

Overvoltage category	III
Degree of pollution	3

### Electrical properties

Rated surge voltage	8 kV
Maximum power dissipation for nominal condition	7.54 W

### Connection data

Number of connections per level	2
Nominal cross section	95 mm <sup>2</sup>

### Level 1 above 1 below 1

Screw thread	M8
Note	Screws with hexagonal socket
Tightening torque	15 ... 20 Nm
Stripping length	33 mm
Connection in acc. with standard	IEC 60947-7-1
Conductor cross section rigid	25 mm <sup>2</sup> ... 95 mm <sup>2</sup>
Cross section AWG	4 ... 3/0 (converted acc. to IEC)
Conductor cross section flexible	35 mm <sup>2</sup> ... 95 mm <sup>2</sup>
Conductor cross section, flexible [AWG]	2 ... 3/0 (converted acc. to IEC)
Conductor cross-section flexible (ferrule without plastic sleeve)	35 mm <sup>2</sup> ... 95 mm <sup>2</sup>
Flexible conductor cross section (ferrule with plastic sleeve)	35 mm <sup>2</sup> ... 95 mm <sup>2</sup>
Cross-section with insertion bridge, rigid	95 mm <sup>2</sup>
Cross-section with insertion bridge, flexible	70 mm <sup>2</sup>
2 conductors with same cross section, solid	25 mm <sup>2</sup> ... 35 mm <sup>2</sup>
2 conductors with same cross section, flexible	25 mm <sup>2</sup> ... 35 mm <sup>2</sup>
2 conductors with same cross section, flexible, with ferrule without plastic sleeve	16 mm <sup>2</sup> ... 35 mm <sup>2</sup>
Nominal current	232 A
Maximum load current	232 A
Nominal voltage	1000 V
Note	Note: Product releases, connection cross sections and notes on connecting aluminum cables can be found in the download area.
Nominal cross section	95 mm <sup>2</sup>

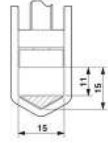
# UKH 95-F - High-current terminal block



3247022

<https://www.phoenixcontact.com/us/products/3247022>

## Dimensions

Dimensional drawing	
Width	25 mm
Height	118.8 mm
Depth	90 mm
Drill hole spacing	106.1 mm
Hole diameter	6.5 mm

## Material specifications

Color	gray
Flammability rating according to UL 94	V0
Insulating material group	I
Insulating material	PA

## Electrical tests

### Surge voltage test

Result	Test passed
--------	-------------

### Temperature-rise test

Requirement temperature-rise test	Increase in temperature $\leq 45$ K
Result	Test passed
Short-time withstand current 95 mm <sup>2</sup>	11.4 kA
Result	Test passed

### Power-frequency withstand voltage

Test voltage setpoint	2.2 kV
Result	Test passed

## Mechanical properties

### Mechanical data

Open side panel	No
-----------------	----

### Technical data

Drill hole spacing	106.1 mm
--------------------	----------

## Mechanical tests

### Mechanical strength

Result	Test passed
--------	-------------

### Attachment on the carrier

# UKH 95-F - High-current terminal block



3247022

<https://www.phoenixcontact.com/us/products/3247022>

DIN rail/fixing support	NS 32/NS 35
Result	Test passed

## Test for conductor damage and slackening

Rotation speed	10 (+/- 2) rpm
Revolutions	135
Conductor cross section/weight	25 mm <sup>2</sup> / 4.5 kg
	35 mm <sup>2</sup> / 6.8 kg
	95 mm <sup>2</sup> /14 kg
Result	Test passed

## Environmental and real-life conditions

### Needle-flame test

Time of exposure	30 s
Result	Test passed

### Oscillation/broadband noise

Specification	DIN EN 50155 (VDE 0115-200):2022-06
Spectrum	Service life test category 2, bogie-mounted
Frequency	$f_1 = 5 \text{ Hz}$ to $f_2 = 250 \text{ Hz}$
ASD level	6.12 (m/s <sup>2</sup> ) <sup>2</sup> /Hz
Acceleration	3.12g
Test duration per axis	5 h
Test directions	X-, Y- and Z-axis
Result	Test passed

### Shocks

Specification	DIN EN 50155 (VDE 0115-200):2022-06
Pulse shape	Half-sine
Acceleration	5g
Shock duration	30 ms
Number of shocks per direction	3
Test directions	X-, Y- and Z-axis (pos. and neg.)
Result	Test passed

### Ambient conditions

Ambient temperature (operation)	-60 °C ... 105 °C (max. short-term operating temperature RTI Elec.)
Ambient temperature (storage/transport)	-25 °C ... 60 °C (for a short time, not exceeding 24 h, -60 °C to +70 °C)
Ambient temperature (assembly)	-5 °C ... 70 °C
Ambient temperature (actuation)	-5 °C ... 70 °C
Permissible humidity (storage/transport)	30 % ... 70 %

## Standards and regulations

Connection in acc. with standard	IEC 60947-7-1
----------------------------------	---------------

# UKH 95-F - High-current terminal block



3247022

<https://www.phoenixcontact.com/us/products/3247022>

## Mounting

Mounting type
direct screw connection

# UKH 95-F - High-current terminal block

3247022

<https://www.phoenixcontact.com/us/products/3247022>

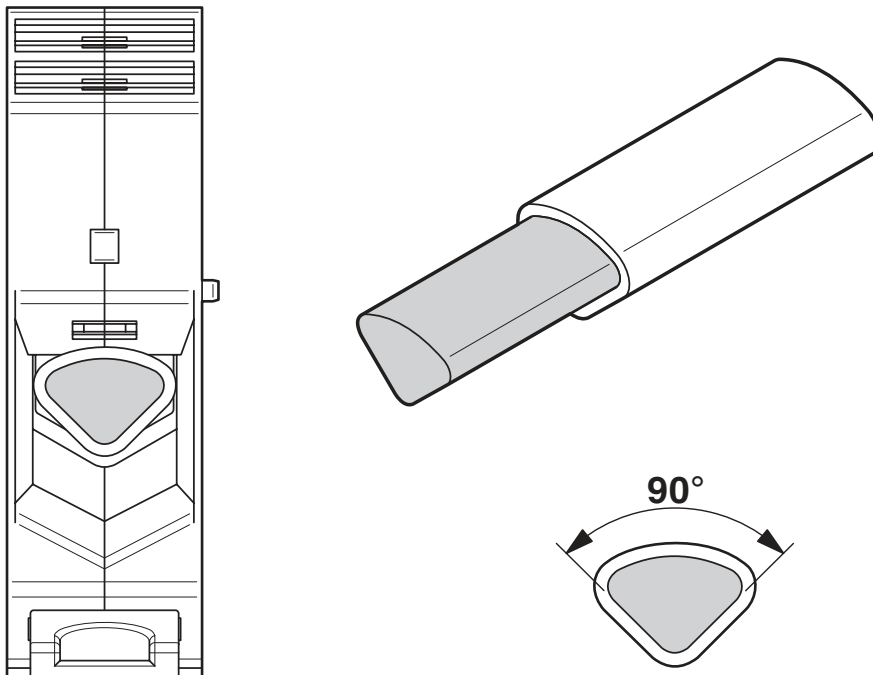


## Drawings

### Circuit diagram



### Schematic diagram



Connecting aluminum cables. Further notes can be found in the download area

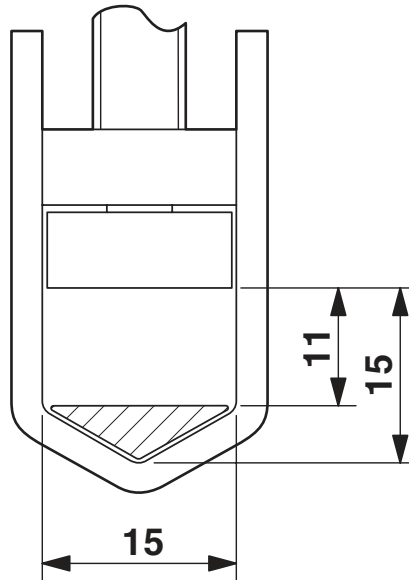
# UKH 95-F - High-current terminal block

3247022

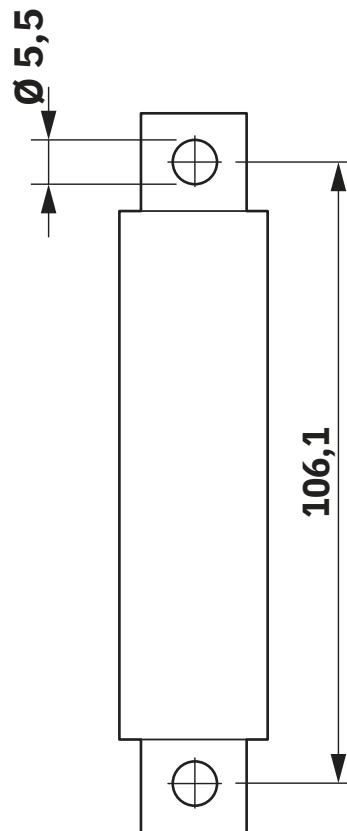
<https://www.phoenixcontact.com/us/products/3247022>



Dimensional drawing



Dimensional drawing



# UKH 95-F - High-current terminal block



3247022

<https://www.phoenixcontact.com/us/products/3247022>

## Approvals

To download certificates, visit the product detail page: <https://www.phoenixcontact.com/us/products/3247022>



**EAC**

Approval ID: RU C-DE.AI30.B.01102



**EAC**

Approval ID: RU C-DE.BL08.B.00534



**cULus Recognized**

Approval ID: E60425

	Nominal voltage $U_N$	Nominal current $I_N$	Cross section AWG	Cross section $\text{mm}^2$
Use group B				
	600 V	230 A	2 - 4/0	-
Multi-conductor connection	600 V	230 A	4 - 2	-
Use group C				
	600 V	230 A	2 - 4/0	-
Multi-conductor connection	600 V	230 A	4 - 2	-



# UKH 95-F - High-current terminal block



3247022

<https://www.phoenixcontact.com/us/products/3247022>

## Classifications

### ECLASS

ECLASS-11.0	27141120
ECLASS-13.0	27250101

### ETIM

ETIM 8.0	EC000897
----------	----------

### UNSPSC

UNSPSC 21.0	39121400
-------------	----------

# UKH 95-F - High-current terminal block



3247022

<https://www.phoenixcontact.com/us/products/3247022>

## Environmental product compliance


China RoHS	Environmentally friendly use period: unlimited = EFUP-e
	No hazardous substances above threshold values

# UKH 95-F - High-current terminal block

3247022

<https://www.phoenixcontact.com/us/products/3247022>

## Accessories

 Note: Applying some accessories below might limit this product.


### EB 3-25/UKH - Insertion bridge

0201375

<https://www.phoenixcontact.com/us/products/0201375>



Insertion bridge, pitch: 25 mm, number of positions: 3, length: 39 mm, color: gray

 Max. current carrying capacity: 232 A

---

### EB 2-25/UKH - Insertion bridge

0201362

<https://www.phoenixcontact.com/us/products/0201362>



Insertion bridge, pitch: 25 mm, number of positions: 2, color: gray

 Max. current carrying capacity: 232 A

## UKH 95-F - High-current terminal block

3247022

<https://www.phoenixcontact.com/us/products/3247022>



## WS-4K - Warning label

1004584

<https://www.phoenixcontact.com/us/products/1004584>

Adhesive warning plate, self-adhesive, black print: lightning flash with mixed version - "Vorsicht Spannung - Attention Danger" size of label: 13 x 23.5 mm



---

## UKH 95 EP - Insertion profile

3009231

<https://www.phoenixcontact.com/us/products/3009231>

Insertion profile, color: silver



# UKH 95-F - High-current terminal block

3247022

<https://www.phoenixcontact.com/us/products/3247022>



## AGK 10-UKH 95 - Pick-off terminal

3003541

<https://www.phoenixcontact.com/us/products/3003541>



Pick-off terminal, nom. voltage: 1000 V, nominal current: 57 A, number of connections: 1, connection method: Screw connection, Rated cross section: 10 mm<sup>2</sup>, cross section: 0.5 mm<sup>2</sup> - 10 mm<sup>2</sup>, mounting type: on base element, color: gray

---

## X-PEN 0,35 - Marker pen

0811228

<https://www.phoenixcontact.com/us/products/0811228>



Marker pen without ink cartridge, for manual labeling of markers, labeling extremely wipe-proof, line thickness 0.35 mm

# UKH 95-F - High-current terminal block

3247022

<https://www.phoenixcontact.com/us/products/3247022>



## SF-THEX 6-200 - Screwdriver

1212642

<https://www.phoenixcontact.com/us/products/1212642>



T-handle screwdriver, for Allen screws, hexagonal (with chamfer), size: hex 6 x 200 mm, ergonomically shaped handle, matt chrome-plated

---

## VDE-ISS 6 - Tool

1201934

<https://www.phoenixcontact.com/us/products/1201934>



Allen wrench, fully insulated, safety tool in accordance with EN 60900, length: 200 mm, handle width: 110 mm, for all terminal blocks with 8 mm Allen screw

# UKH 95-F - High-current terminal block



3247022

<https://www.phoenixcontact.com/us/products/3247022>

## ZB 22:UNBEDRUCKT - Zack marker strip

0811862

<https://www.phoenixcontact.com/us/products/0811862>



Zack marker strip, Strip, white, unlabeled, can be labeled with: PLOTMARK, CMS-P1-PLOTTER, mounting type: snapped, for terminal block width: 22 mm, lettering field size: 10.5 x 21.8 mm, Number of individual labels: 4

---

## ZB 22 CUS - Zack marker strip

0824949

<https://www.phoenixcontact.com/us/products/0824949>



Zack marker strip, can be ordered: Strip, white, labeled according to customer specifications, mounting type: snap into tall marker groove, for terminal block width: 22 mm, lettering field size: 10.5 x 21.8 mm, Number of individual labels: 4

# UKH 95-F - High-current terminal block



3247022

<https://www.phoenixcontact.com/us/products/3247022>

## ZB 22,LGS:L1-N,PE - Zack marker strip

0811875

<https://www.phoenixcontact.com/us/products/0811875>



Zack marker strip, Strip, white, labeled, printed horizontally: L1, L2, L3, N, PE, mounting type: snapped, for terminal block width: 22 mm, lettering field size: 10.5 x 21.8 mm, Number of individual labels: 50

---

## TMT 10 R - Marker for terminal blocks

0816210

<https://www.phoenixcontact.com/us/products/0816210>



Marker for terminal blocks, Roll, white, unlabeled, can be labeled with: THERMOMARK ROLL 2.0, THERMOMARK ROLL, THERMOMARK ROLL X1, THERMOMARK ROLLMASTER 300/600, THERMOMARK X1.2, THERMOMARK S1.1, perforated, mounting type: snapped, snap into flat marker groove, for terminal block width: 10.2 mm, lettering field size: 6.35 x 10.15 mm, Number of individual labels: 10000



# UKH 95-F - High-current terminal block

3247022

<https://www.phoenixcontact.com/us/products/3247022>



## TMT 10 R CUS - Marker for terminal blocks

0824500

<https://www.phoenixcontact.com/us/products/0824500>



Marker for terminal blocks, can be ordered: by line, white, labeled according to customer specifications, mounting type: snap into universal marker groove, snap into flat marker groove, for terminal block width: 10.2 mm, lettering field size: 6.35 x 10.15 mm

---

## PROJECT COMPLETE - Software

1050453

<https://www.phoenixcontact.com/us/products/1050453>



Intuitive planning and marking software for configuring terminal strips and for professional marking of marking materials for terminal blocks, conductors, cables, devices, and systems. The software is available for download

---

Phoenix Contact 2023 © - all rights reserved  
<https://www.phoenixcontact.com>

Phoenix Contact USA  
586 Fulling Mill Road  
Middletown, PA 17057, United States  
(+717) 944-1300  
[info@phoenixcon.com](mailto:info@phoenixcon.com)