



LC898215XA

CMOS LSI

AF(Auto Focus) Control LSI

ON Semiconductor®

<http://onsemi.com>

Overview

The LC898215 is a focus control LSI for cellphone/smartphone camera modules. It controls pre-loaded type actuators. The LSI is composed of a fast settling time circuit and a driver circuit to enable the control.

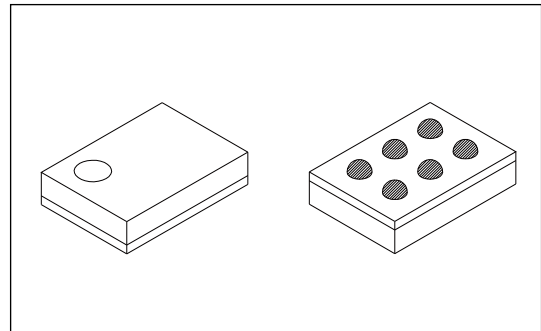
The fast settling time circuit features the high speed movement completion of the actuator.

Pre-loaded type actuators have unintentional oscillation by resonance frequency due to their structures while moving with step signal type current change, and it may interfere with the accurate focus control.

This LSI's fast settling time circuit permits optimum control of the current change. It enables high speed movement completion of the actuator so that the circuit will be an effective function for configuring high speed focus control systems.

Function

- Built-in Fast Settling Time Circuit.
- I²C Interface
 - 1.8V tolerant
- Built-in Power On Reset
- Built-in OSC
 - 40 MHz
- Built-in LDO
 - 1.5V for Logic unit
- Built-in PWM pulse generator circuit
 - PWM circuit for AF control
- 1-chip motor driver
 - Saturation drive 1 channel
 - I_O max 100mA
- Package
 - WL-CSP 6 pin
 - Pb-free, Halogen Free
- Supply voltage
 - VM (2.6 to 3.6 V)



WLP6(1.29X0.80)

* I²C Bus is a trademark of Philips Corporation.

ORDERING INFORMATION

See detailed ordering and shipping information on page 4 of this data sheet.

Pin Description

■ I ² C interface			
I2CCK	B		I ² C Clock pin
I2CDT	B		I ² C Data pin
■ Driver interface			
OUT1	O		Actuator output pin
ENA/OUT2	B		LSI enable / Actuator output pin
■ Power supply pin			
VDD	P		Power supply
GND	P		GND

PIN TYPE “O” – Ensure that it is set to OPEN.

PIN TYPE “I” – OPEN is inhibited. Ensure that it is connected to the V_{DD} or V_{SS} even when it is unused.

(Please contact our company. for more information about selection of V_{DD} or V_{SS}.)

PIN TYPE “B” – If you are unsure about processing method on the pin description of pin layout table, please contact us.

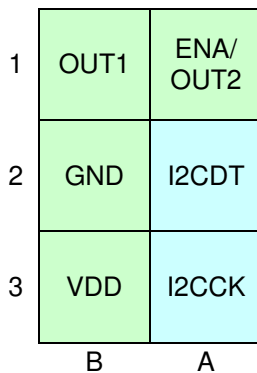
Note that incorrect processing of unused pins may result in defects.

If you have any question, please feel free to contact us.

Pin Layout

Circuit Name	Number of Pins
Analog	4
Logic	2

Pin layout diagram : Top View (Ball Side Down)



Block Diagram

