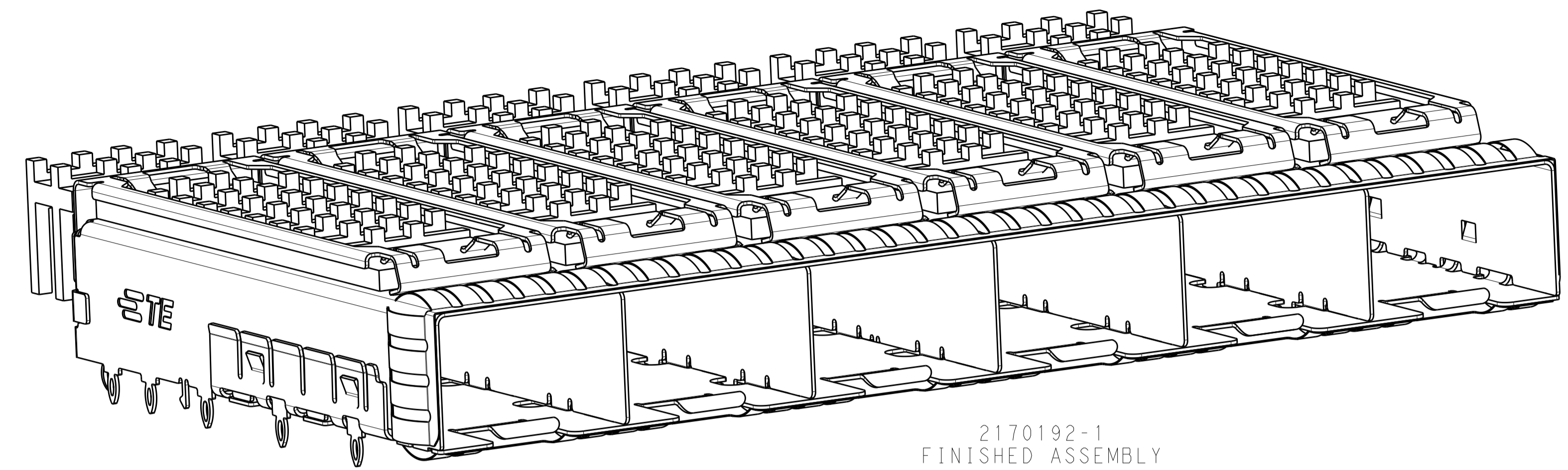
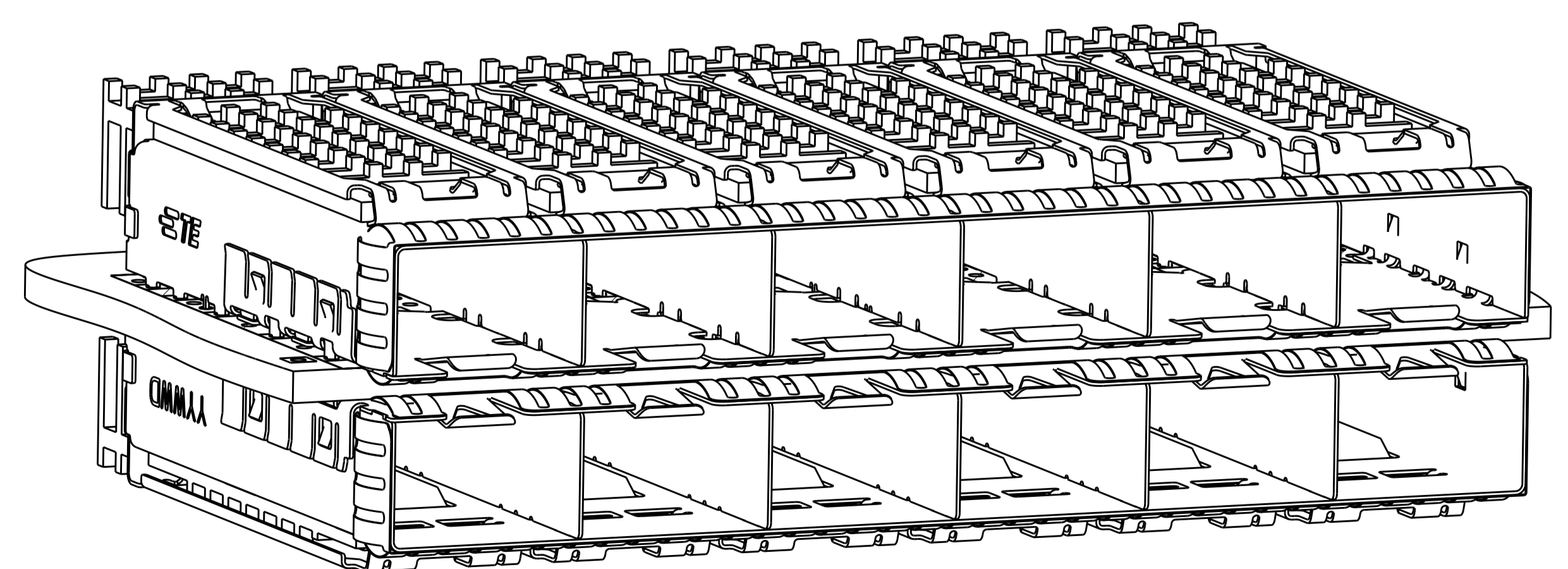
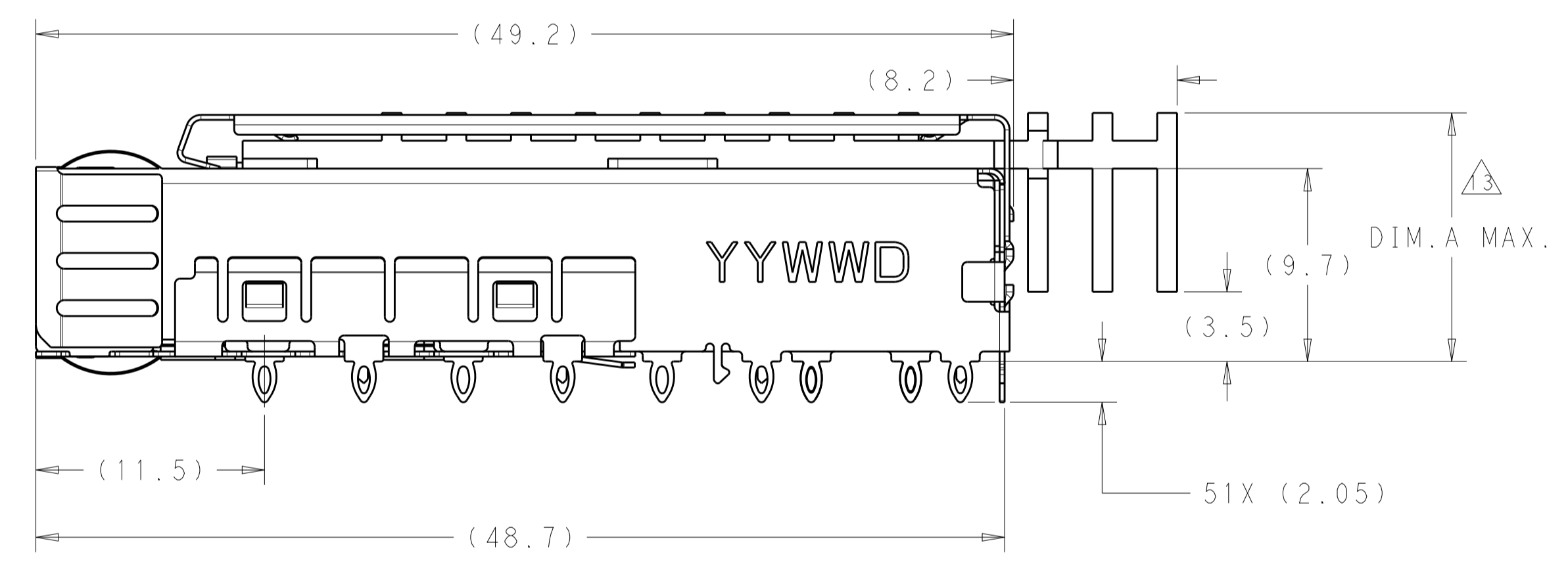
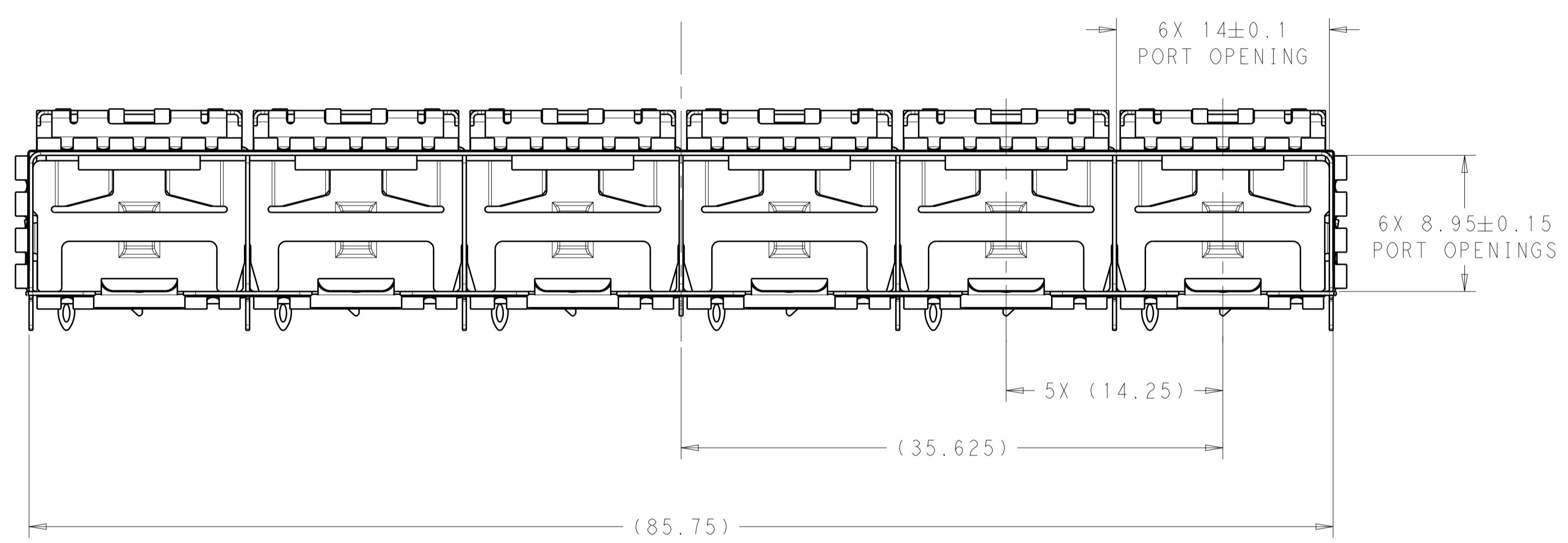


LOC	DIST	REVISIONS					
GP	00	P	LTN	DESCRIPTION	DATE	DWN	APVD
		A		INITIAL RELEASE	10AUG2015	JW	SH



2170192-1
FINISHED ASSEMBLY
SCALE 4:1

- 1 MATERIAL:
CAGE ASSEMBLY: 0.25mm THICK NICKEL SILVER ALLOY.
HEATSINK CLIP: STAINLESS STEEL
HEATSINK: ALUMINUM
- 2 FINISH:
SPRINGS: MINIMUM OF 0.8um TIN PLATE OVER A MINIMUM OF 0.8um NICKEL UNDERPLATE. NON-PLATED EDGES PERMISSIBLE.
HEATSINK CLIP: PASSIVATE
2170192-1/-2 HEATSINK: HARD ANODIC COATING
2170192-3 HEATSINK: BLACK ANODIZE
- 3. MATES WITH SFP MSA COMPLIANT TRANSCEIVERS.
- 4 PADS AND VIAS CHASSIS GROUND.
- 5. INTERPRETATION OF DATUM REFERENCE FRAME IN ACCORDANCE WITH SECT 4.4.1.1 OF ASME Y14.5M-1994.
- 6 MINIMUM PCB BOARD THICKNESS:
SINGLE SIDED = 1.50
DOUBLE SIDED = 2.25
- 7 HOLE PATTERN REPEATS FOR EACH PORT. SPACING BETWEEN PORTS IS 14.25mm.
- 8 DATUM AND BASIC DIMENSION ESTABLISHED BY CUSTOMER.
- 9 REFERENCE APPLICATION SPEC. 114-13120, HOLE A, FOR RECOMMENDED DRILL HOLE DIAMETER AND PLATING THICKNESS.
- 10 REFERENCE APPLICATION SPEC. 114-13120, HOLE B, FOR RECOMMENDED DRILL HOLE DIAMETER AND PLATING THICKNESS.
- 11. CERTAIN MATING TRANSCEIVERS MAY REQUIRE ADDITIONAL PCB THICKNESS THAT WOULD BE DETERMINED BY THE CUSTOMER.
- 12. PRODUCT COMPLIES WITH SPECIFICATION SFF-8433 IMPROVED PLUGGABLE FORM FACTOR FOR SFP+ GANGED CAGES.
- 13 DIMENSION APPLIES PRIOR TO INSERTION OF SFP MODULE



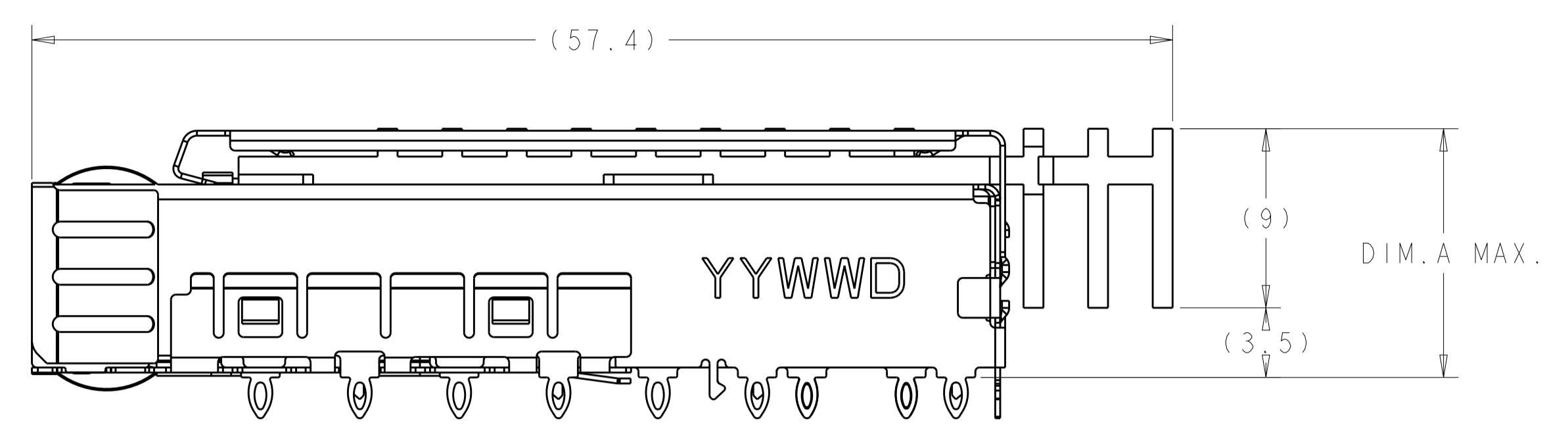
2170192-1
MOUNTED BELLY TO BELLY ON PCB
SCALE 3:1

PRELIMINARY	13.10 MAX.(WORKING)	FIN TYPE	HEAT SINK W/ THE FIRST ROW PIN	2170192-3
	20.2 MAX	PIN TYPE	HEAT SINK W/ THE FIRST ROW PIN	2170192-2
	13 MAX	PIN TYPE	HEAT SINK W/O THE FIRST ROW PIN	2170192-1
	A	HEAT SINK	DESCRIPTION	PART NUMBER

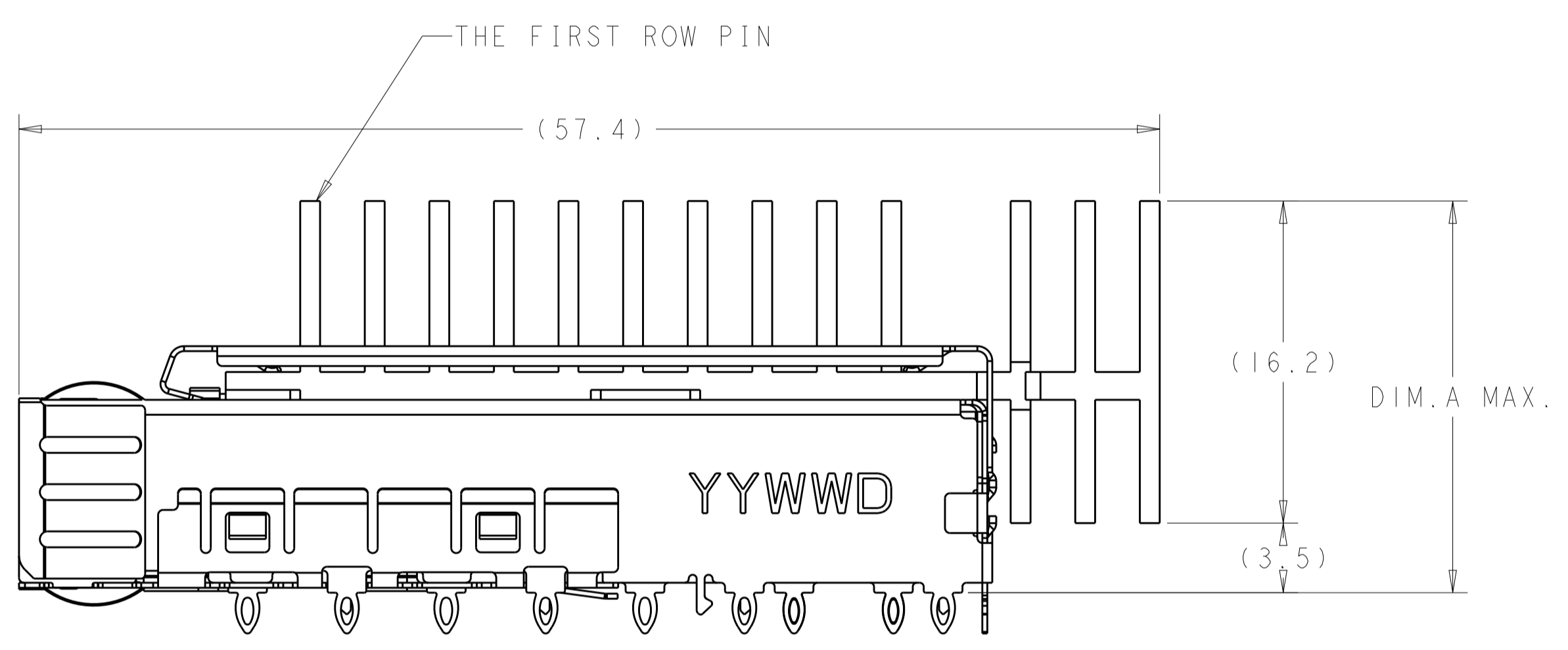
THIS DRAWING IS A CONTROLLED DOCUMENT.		OWN: TIM XUE 22NOV2011	TE Connectivity
DIMENSIONS:		CHK: ALEX CAI 22NOV2011	
TOLERANCES UNLESS OTHERWISE SPECIFIED:		APVD: ALEX CAI 22NOV2011	
mm		NAME: SFP+ ENHANCED 1X6 CAGE ASSEMBLY, PRESS FIT, EXTERNAL EMI SPRINGS WITH HEATSINK	
0 PLC ±0.25		PRODUCT SPEC: 108-2364	SIZE: CAGE CODE DRAWING NO. RESTRICTED TO A100779C=2170192
1 PLC ±0.20		APPLICATION SPEC: 114-13120	
2 PLC ±0.15		WEIGHT: -	SCALE: 4:1
3 PLC ±0.1		Customer Drawing	SHEET 1 OF 5
4 PLC ±0.1			REV A
ANGLES ±1*			
FINISH			

LOC	DIST	REV	DATE	BY	APPV
GP	00				

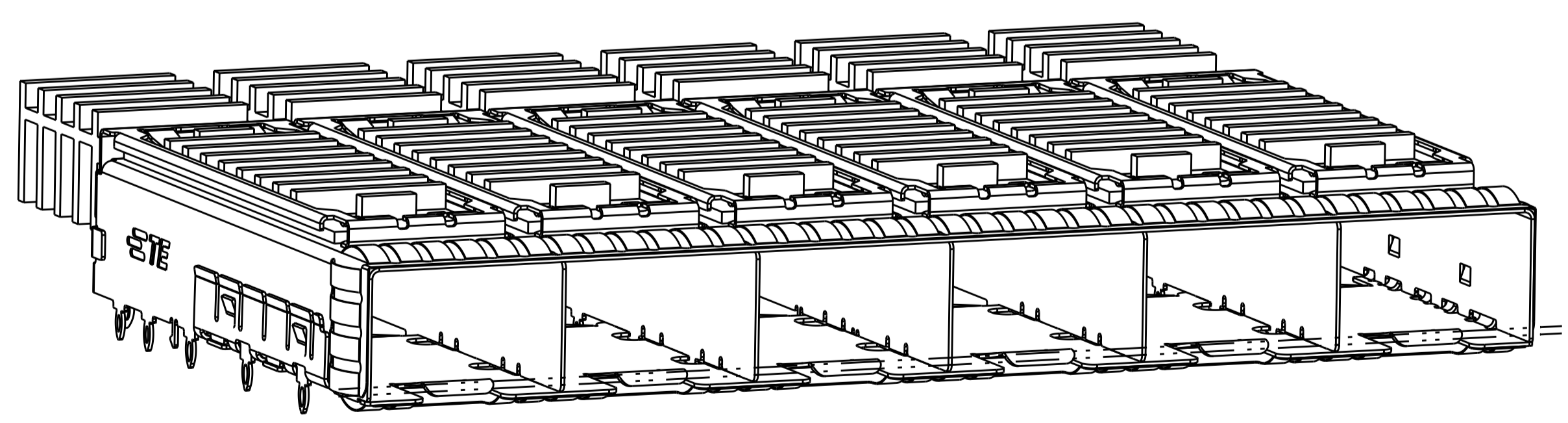
REVISIONS			
NO.	DESCRIPTION	DATE	BY
-	SEE SHEET 1	-	-



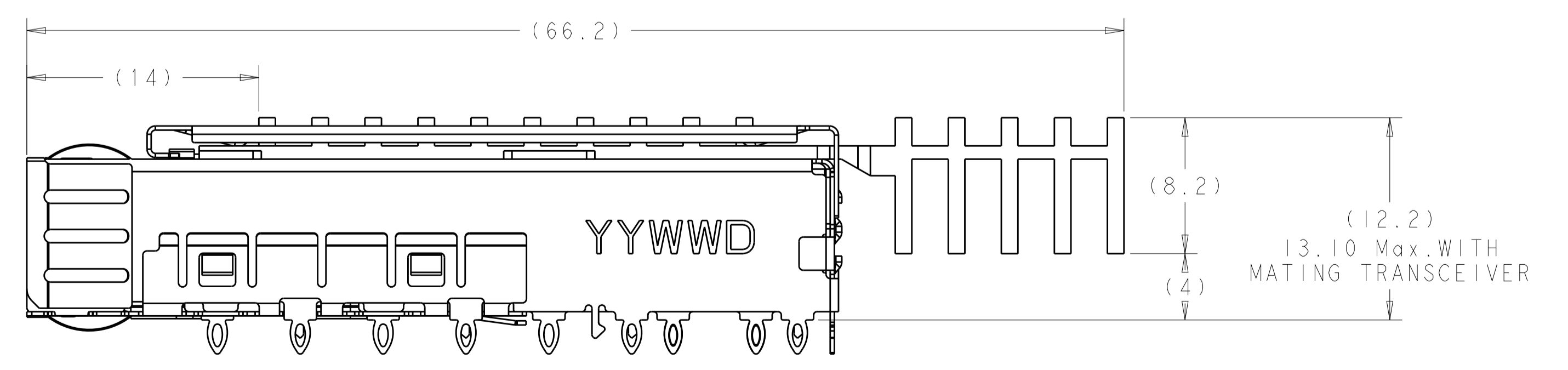
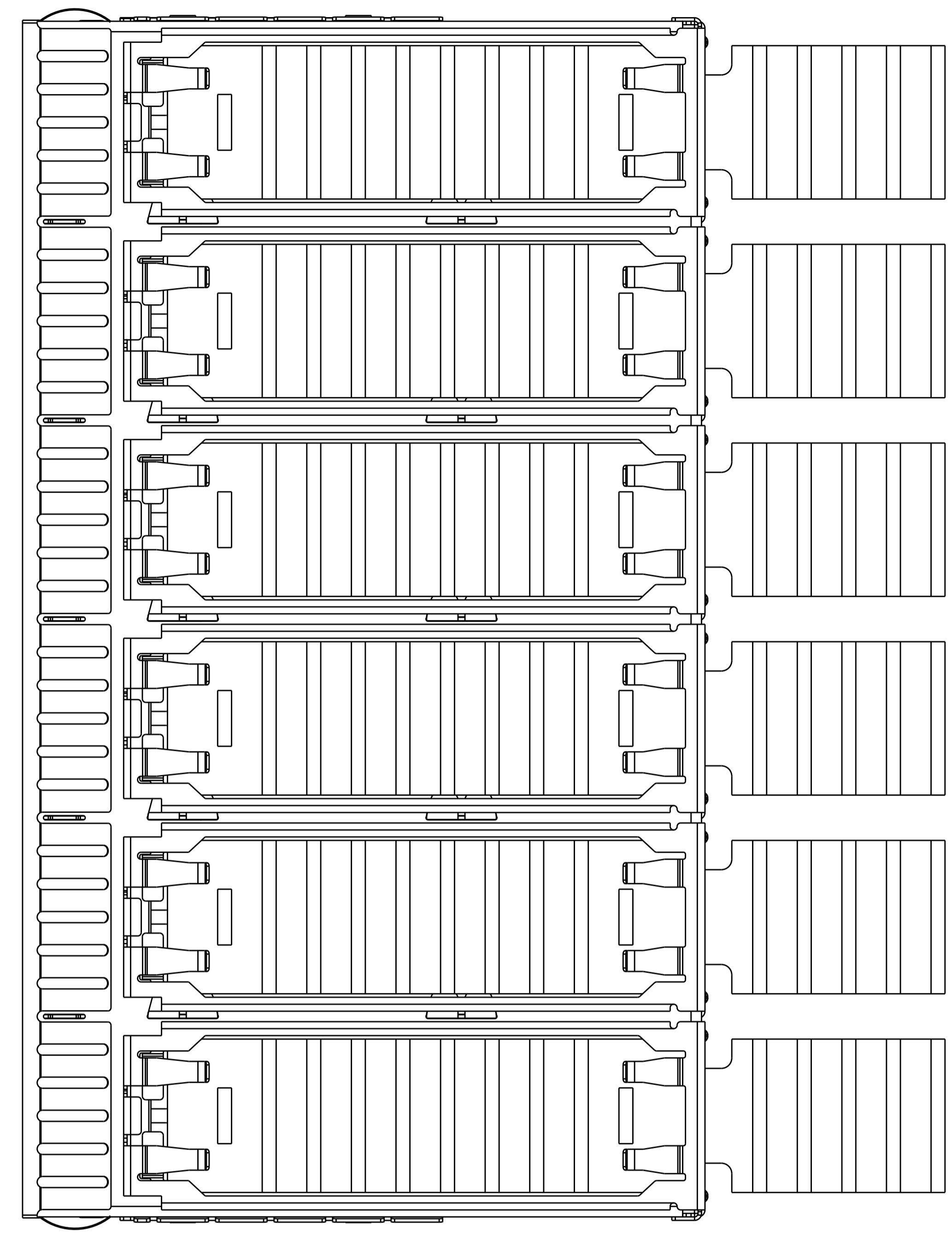
2170192-1 AS SHOWN
HEAT SINK W/O THE FIRST ROW PIN



2170192-2 AS SHOWN



2170192-3 AS SHOWN

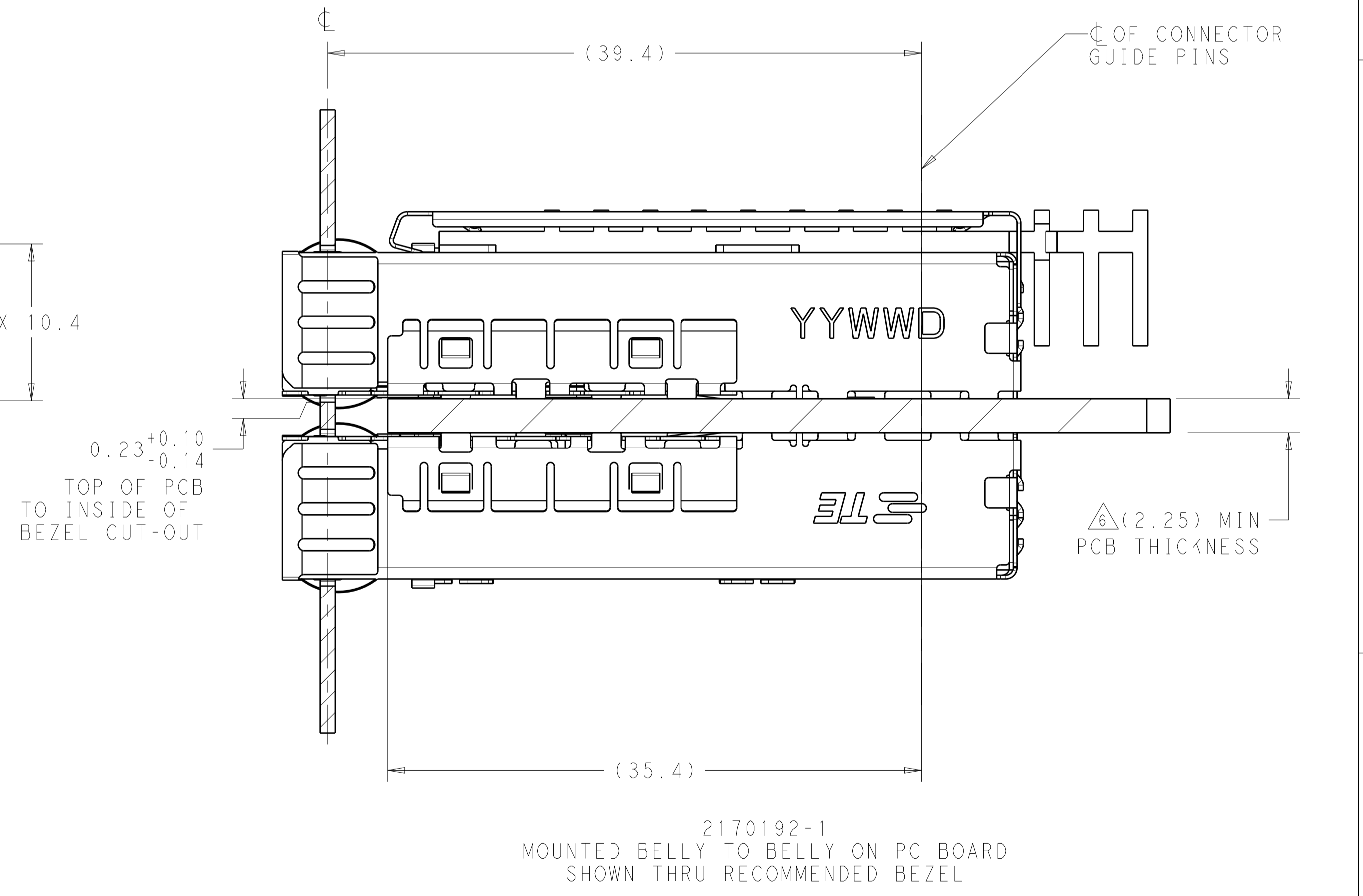
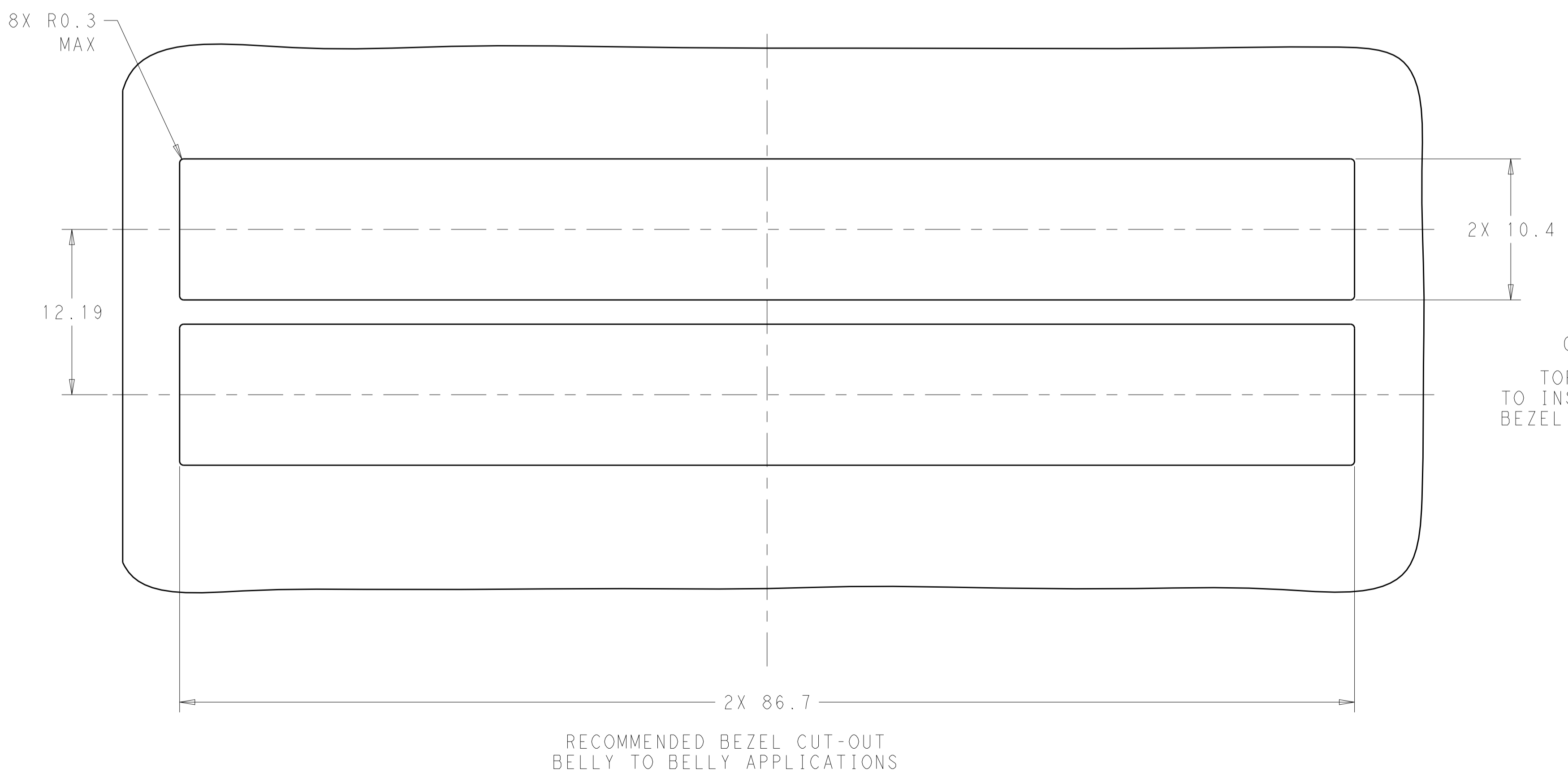
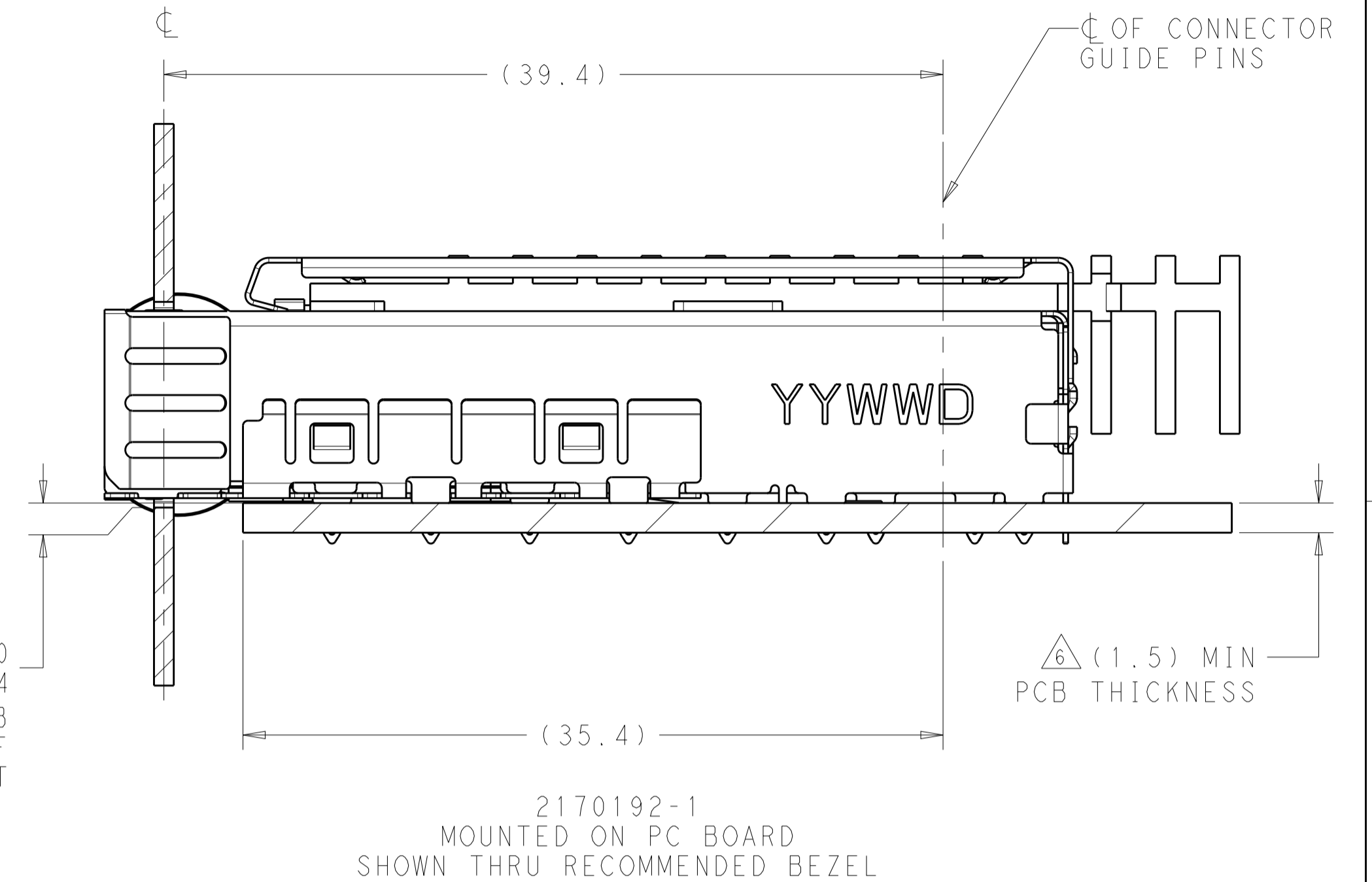
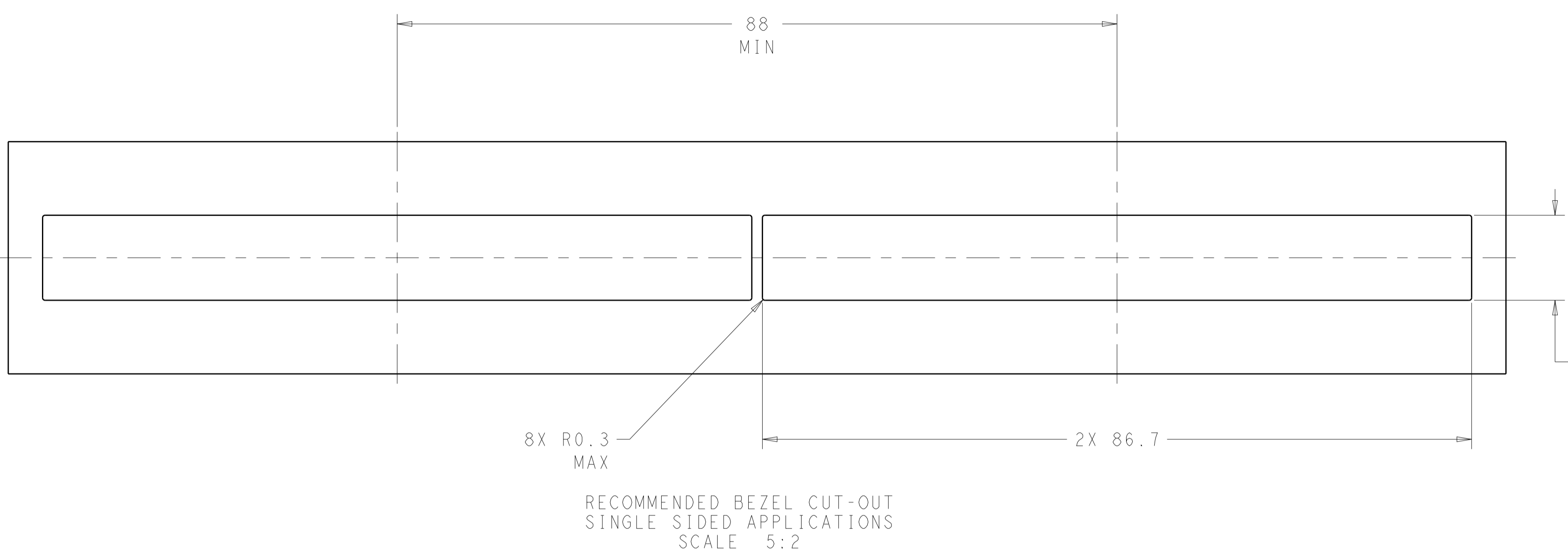


2170192-3 AS SHOWN

THIS DRAWING IS A CONTROLLED DOCUMENT.		OWN: TIM XUE 22NOV2011	STE TE Connectivity
DIMENSIONS:		CHK: ALEX CAI 22NOV2011	
TOLERANCES UNLESS OTHERWISE SPECIFIED:		APVD: ALEX CAI 22NOV2011	
mm		PRODUCT SPEC	
0 PLC	±0.25	108-2364	NAME: SFP+ ENHANCED 1X6 CAGE ASSEMBLY, PRESS FIT, EXTERNAL EMI SPRINGS WITH HEATSINK
1 PLC	±0.20	APPLICATION SPEC	SIZE: CAGE CODE DRAWING NO
2 PLC	±0.15	114-13120	RESTRICTED TO
3 PLC	±0.1	WEIGHT	A100779C=2170192
4 PLC	±0.1	Customer Drawing	SCALE 4:1 SHEET 2 OF 5 REV A
ANGLES	±1°		

LOC	DIST	REV	DATE	BY	APPV
GP	00				

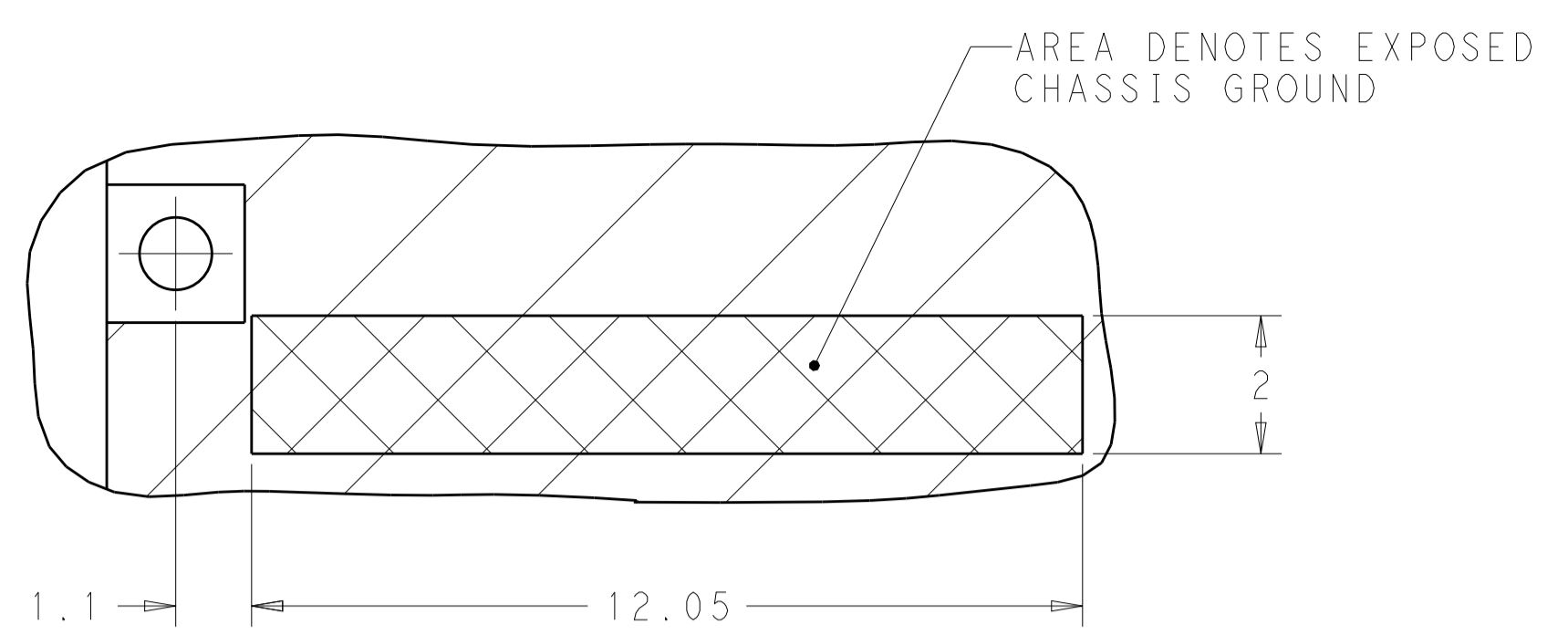
REVISIONS			
NO.	DESCRIPTION	DATE	BY
-	SEE SHEET 1	-	-



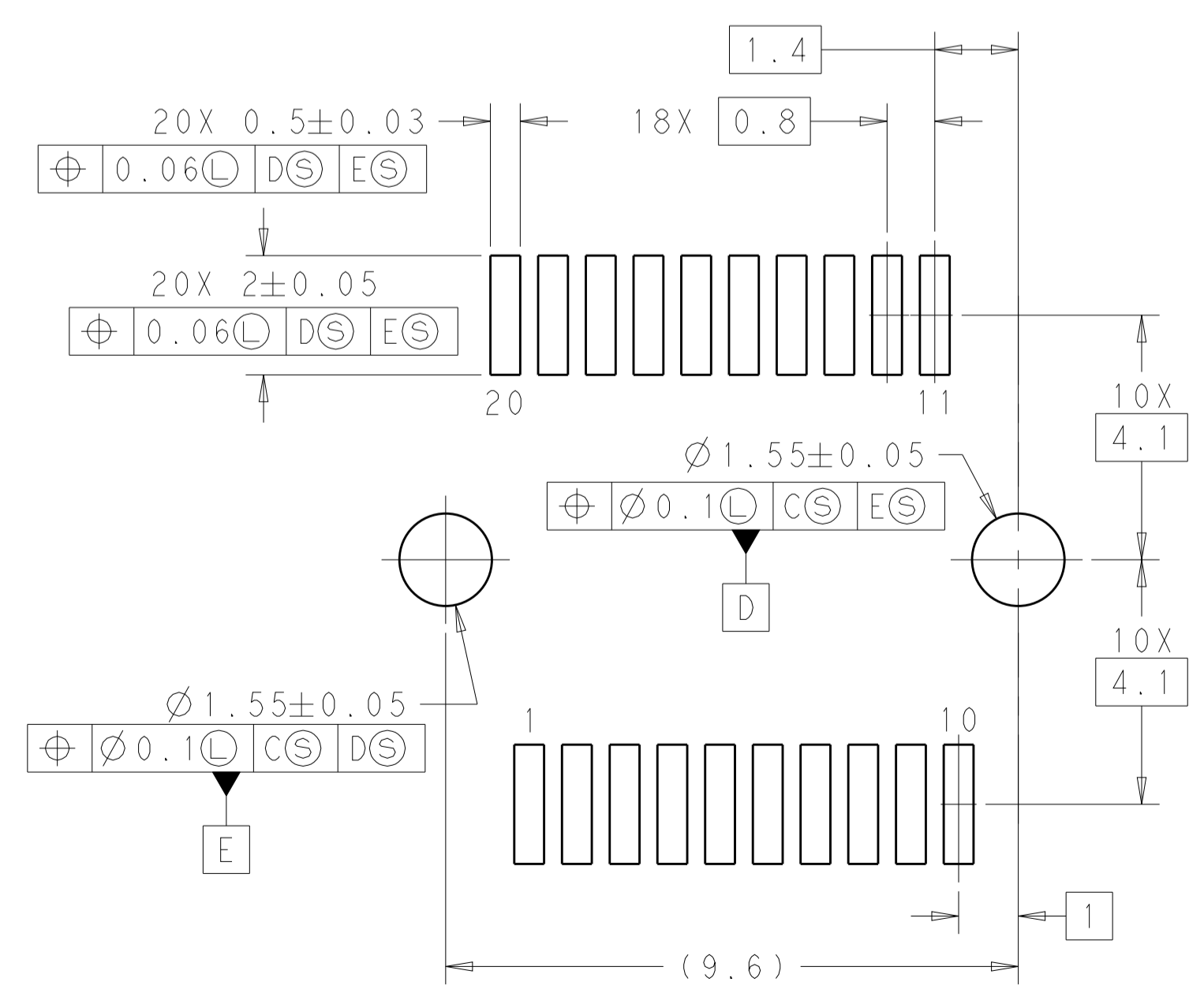
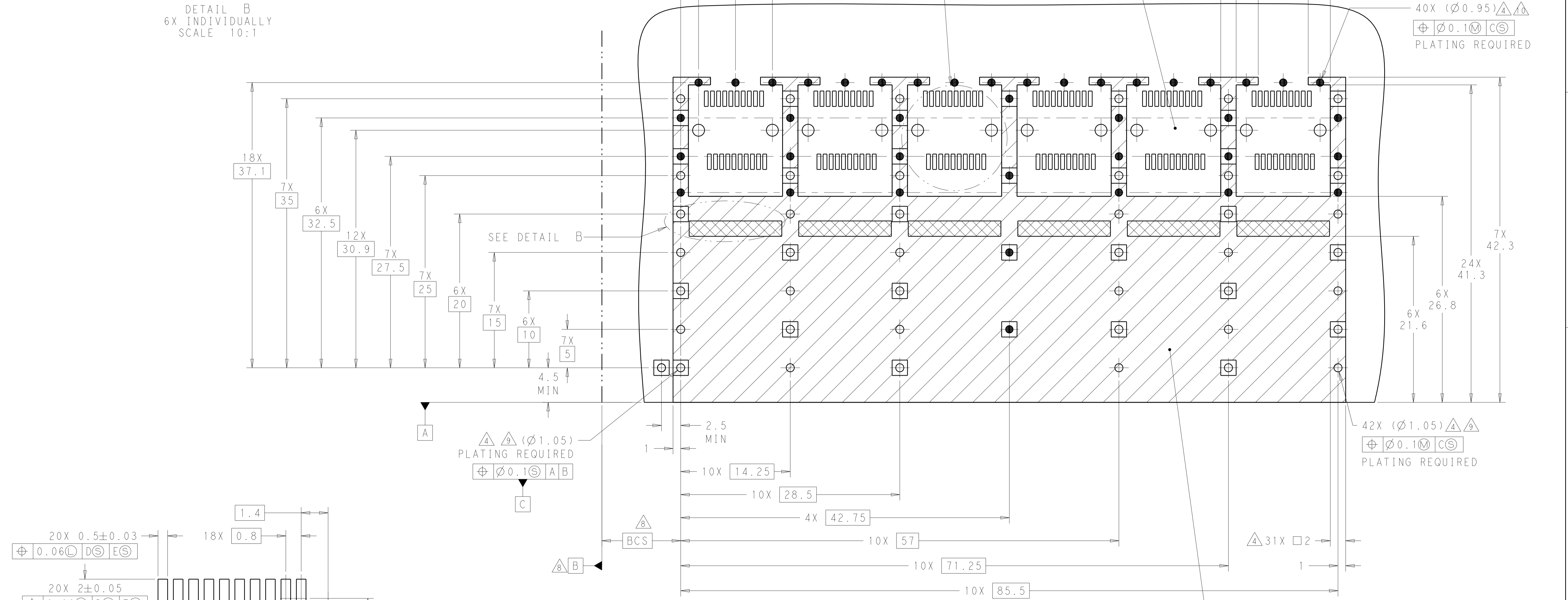
THIS DRAWING IS A CONTROLLED DOCUMENT.		OWN: TIM XUE 22NOV2011	TE Connectivity
DIMENSIONS: mm		CHK: ALEX CAI 22NOV2011	
TOLERANCES UNLESS OTHERWISE SPECIFIED:		APPV: ALEX CAI 22NOV2011	NAME: SFP+ ENHANCED 1X6 CAGE ASSEMBLY, PRESS FIT, EXTERNAL EMI SPRINGS WITH HEATSINK PRODUCT SPEC: 108-2364 APPLICATION SPEC: 114-13120
0 PLC ±0.25		RESTRICTED TO:	
1 PLC ±0.20		SIZE: A1	CAGE CODE: 00779 DRAWING NO: 2170192 SCALE: 4:1 SHEET 3 OF 5 REV A
2 PLC ±0.15		WEIGHT: -	
3 PLC ±0.1		MATERIAL: -	Customer Drawing
4 PLC ±0.1		FINISH: -	
ANGLES ±0.1			

LOC	DIST	REV	DATE	BY	APPD
GP	00				

REVISIONS			
NO.	DESCRIPTION	DATE	BY
-	SEE SHEET 1	-	-



DETAIL B
6X INDIVIDUALLY
SCALE 10:1



DETAIL Y
RECOMMENDED PT CONNECTOR LAYOUT
12X INDIVIDUALLY
SCALE 10:1

RECOMMENDED PCB CONFIGURATION
WITH KEEP-OUT AREAS
BELLY TO BELLY APPLICATIONS
SCALE 4:1

CROSS-HATCHED AREA
DENOTES COMPONENT
AND TRACE KEEP-OUT
(EXCEPT CHASSIS
GROUND)

THIS DRAWING IS A CONTROLLED DOCUMENT.		OWN: TIM XUE 22NOV2011	TE Connectivity
DIMENSIONS: mm		CHK: ALEX CAI 22NOV2011	
TOLERANCES UNLESS OTHERWISE SPECIFIED:		APPD: ALEX CAI 22NOV2011	NAME: SFP+ ENHANCED 1X6 CAGE ASSEMBLY, PRESS FIT, EXTERNAL EMI SPRINGS WITH HEATSINK PRODUCT SPEC: 108-2364 APPLICATION SPEC: 114-13120 WEIGHT: - Customer Drawing
0 PLC ±0.25		RESTRICTED TO:	
1 PLC ±0.20		SCALE: 4:1	
2 PLC ±0.15		SHEET 5 OF 5	
3 PLC ±0.1		REV A	
4 PLC ±0.1			
ANGLES ±0.1°			
FINISH: #1*			