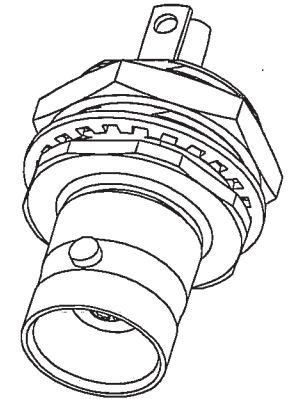
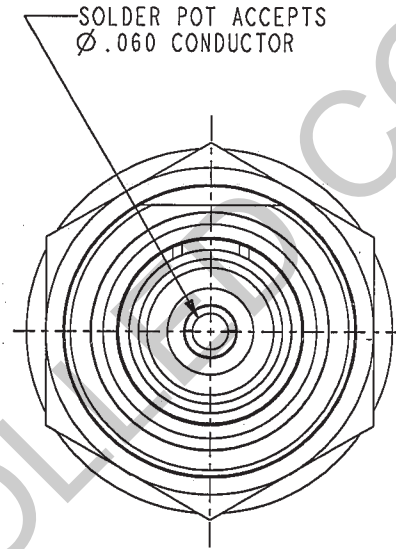
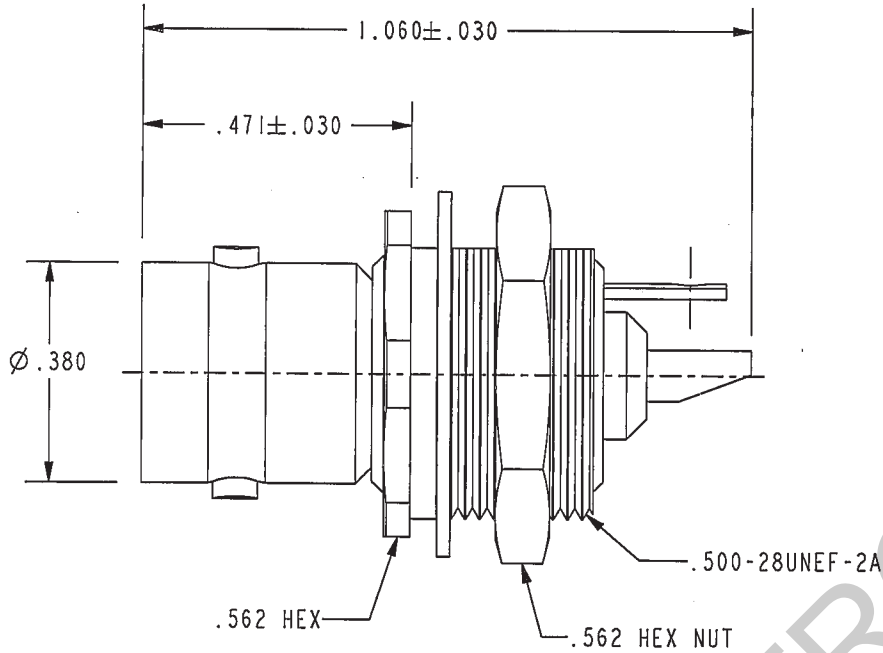


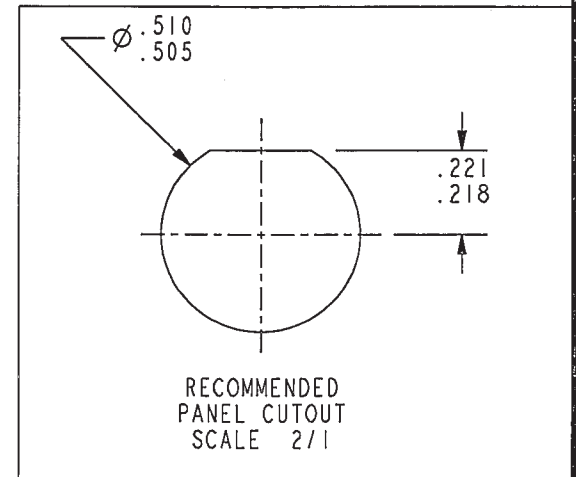
DASH NO	MODEL NO	IMPEDANCE (Ω)
-1	BJ27	50
-2	UBJ27	75

DATA CONTAINED IN THIS DOCUMENT IS PROPRIETARY TO TROMPETER ELECTRONICS INC. AND SHALL NOT BE DISCLOSED, COPIED OR USED FOR PROCUREMENT OR MANUFACTURE WITHOUT EXPRESS WRITTEN PERMISSION.

REVISIONS			
REV	DESCRIPTIONS	DATE	APPROVED
Y	REVISED PER ECO #14680	8-22-02	AM.



SCALE 2/1




RED INDICATES ORIGINAL

-1 SHOWN

- MAX PANEL THICKNESS: .147
- FINISH: TFS-1A (NICKEL)
- 50 Ω & 75 Ω COAXIAL BNC INSULATED SOLDER POT BULKHEAD MOUNT RECEPTACLE

NOTES: UNLESS OTHERWISE SPECIFIED.

INTERPRET DRAWING PER MIL-STD-100. DIMENSIONS ARE IN INCHES AND INCLUDE FINISH THICKNESS UNLESS OTHERWISE SPECIFIED.		TOL: UNLESS SPECIFIED. .XX ± .02 .XXX ± .010 ANGLE ± 1°				
DRN	PD 8-20-02	MATERIAL:	TITLE:			
CHK	JLM 8-21-02	FINISH:	BJ27/UBJ27			
QUALITY	8/22/02	SEE NOTE 2	SIZE	CAGE CODE	DRAWING NO.	REV.
MANU	8/22/02		A	14949	1-0132	Y
APPROVED	8/21/02		SCALE	DATE	SHEET	
PROJ FILE NO.	1-0132	DO NOT SCALE DWG	5/1	10-24-72	1 OF 2	