

HALOGEN FREE

REV.	ED#	DESCRIPTION	DATE	DRAWN	CHECKED	APPROVED
X1	SZECR15082	NEW RELEASE PER PR15032	04/06/15'	AVEN	ROGER	ROGER
X2	SZECR15082-01	△X6, AX6	06/16/15'	AVEN	ROGER	ROGER
X3	SZECR15082-02	△X1, AX1	07/09/15'	Rbyond	ROGER	

TABLE A: PRODUCT NUMBERING CODE
PRODUCT NUMBERING CODE

C-BR27 - A K X X
① ② ③ ④ ⑤

1.CONNECTOR TYPE:
BR27: USB TYPE-C FULL FEATURE CONN RECEPTACLE - MID MOUNT TYPE

2.NO. OF POSITION:
A: 24 POSITIONS.

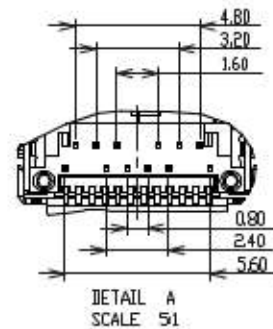
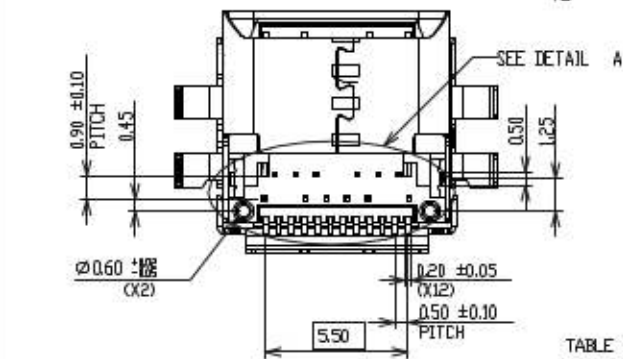
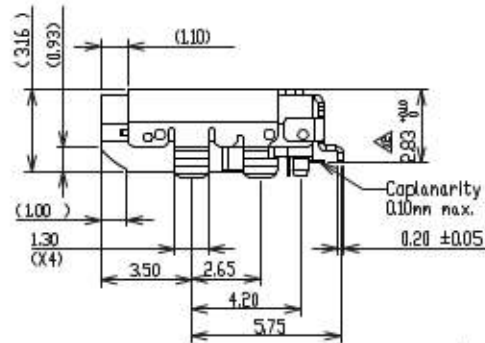
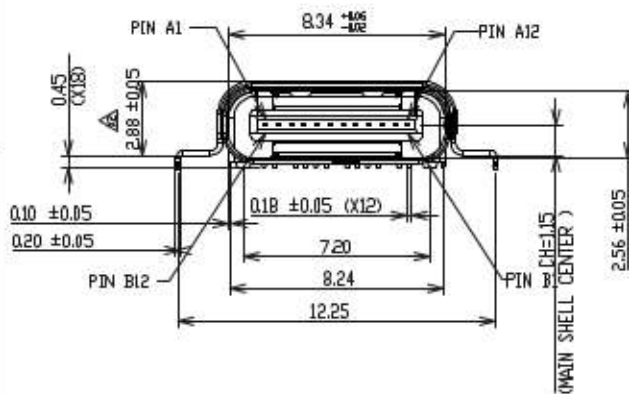
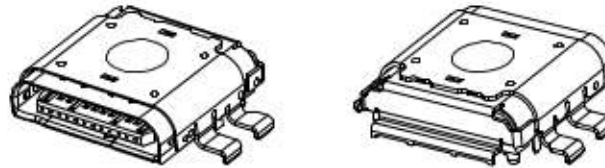
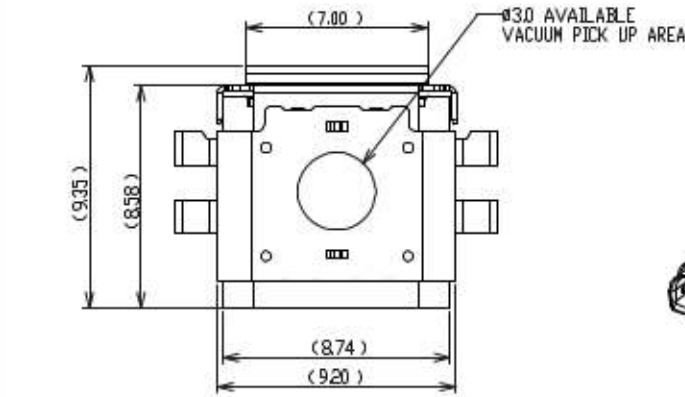
3.COLOR OF INSULATOR:
K: BLACK.

4.PLATING OF CONTACT:
1: GOLD FLASH ON CONTACT AREA
5: Au 30u" PLATING ON CONTACT AREA.

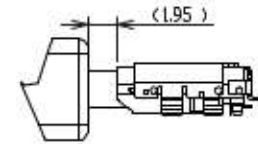
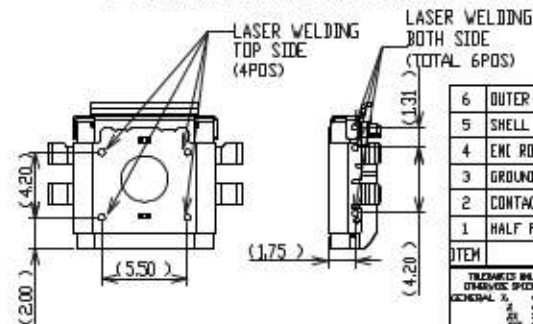
5.PLATING OF FRONT SHELL

△3 SOLDERING NICKEL

(DESIGNED TO MEET USB TYPE C SPECIFICATION)



△ CONN ADD LASER WELDING POSITION



ITEM	NAME	QTY	PART #	MATERIAL / FINISH
6	OUTER SHELL	1	S- BR27-2XXXX	METAL / NI PLATED
5	SHELL	1	S- BR27-1XXXX	METAL / NI PLATED
4	ENC RING	2	H- BR20-XXXXX	METAL / NI PLATED
3	GROUND PLATE	1	H- BR27-6XXXX	METAL / NI PLATED
2	CONTACT	24	T- BR27-XXXXX	COPPER ALLOY / Au PLATED
1	HALF PRODUCT	E	BR27-XXXXXX	HI-TEMP. GF. UL94V-0

ITEM	NAME	QTY	PART #	MATERIAL / FINISH
6	OUTER SHELL	1	S- BR27-2XXXX	METAL / NI PLATED
5	SHELL	1	S- BR27-1XXXX	METAL / NI PLATED
4	ENC RING	2	H- BR20-XXXXX	METAL / NI PLATED
3	GROUND PLATE	1	H- BR27-6XXXX	METAL / NI PLATED
2	CONTACT	24	T- BR27-XXXXX	COPPER ALLOY / Au PLATED
1	HALF PRODUCT	E	BR27-XXXXXX	HI-TEMP. GF. UL94V-0

TABLE B:

PIN NO.	A1	A2	A3	A4	A5	A6	A7	A8	A9	A10	A11	A12
SIGNAL NAME	GND	SSTxp1	SSTXn1	VBUS	CC1	Dpl	Dn1	SBUL	VBUS	SSRXn2	SSRXp2	GND
PIN NO.	B12	B11	B10	B9	B8	B7	B6	B5	B4	B3	B2	B1
SIGNAL NAME	GND	SSRXp1	SSRXn1	VBUS	SBUS2	Dnl	Dp1	CC2	VBUS	SSTXn2	SSTXp2	GND

DESIGNED BY	DATE
AVEN	04/06/15'
DESIGNED BY	DATE
AVEN	04/06/15'
CHECKED	DATE
ROGER	04/06/15'
APPROVED	DATE
ROGER	04/06/15'
SCALE	5:1
SHEET	1 OF 2
UNIT	MM

CnC Tech, LLC	
USB Type-C 3.1 (10Gbps) Conn. RECEPTACLE - MID MOUNT TYPE △ CH0.15mm	
SERIES	BR27 SERIES
REV. NO.	C- BR27-00-00
SIZE	A3
REV.	X3

