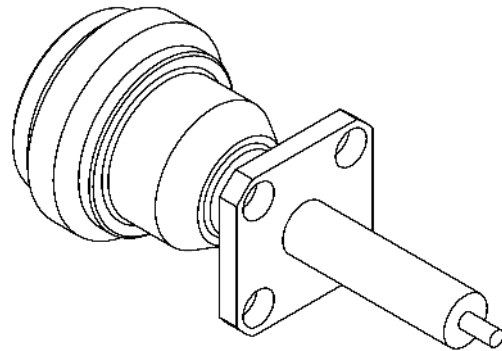
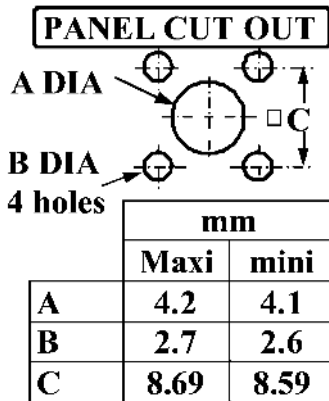
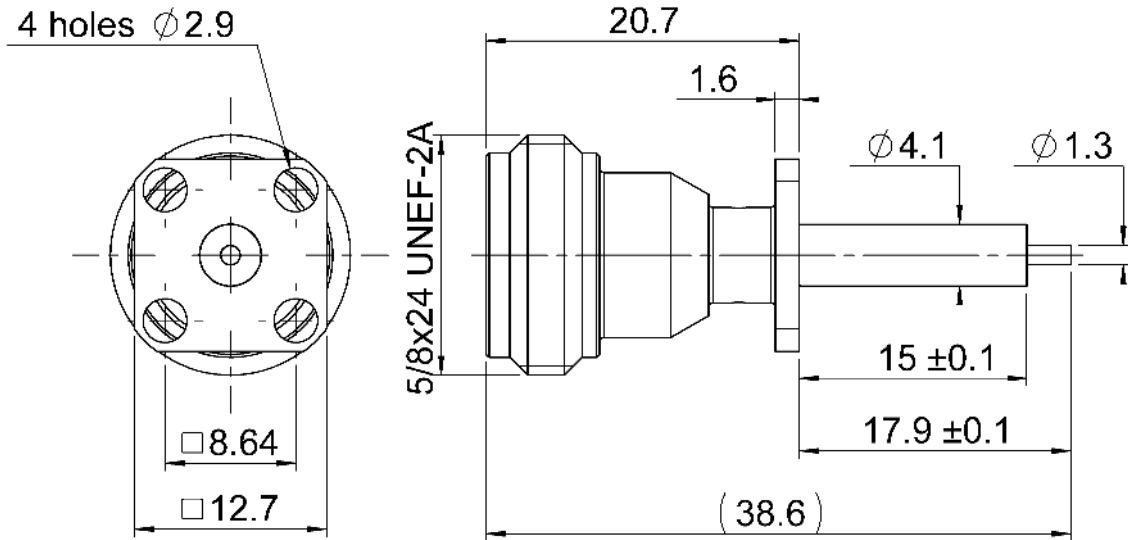
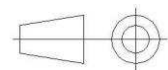


PAGE 1/2	ISSUE 1449B	SERIES N	PART NUMBER R161410520
----------	-------------	----------	------------------------



All dimensions are in mm.



COMPONENTS	MATERIALS	PLATING (µm)
Body	BRASS	BBR
Center contact	BERYLLIUM COPPER	GOLD OVER NICKEL
Outer contact	-	-
Insulator	PTFE	-
Gasket	-	-
Others parts	-	-
-	-	-
-	-	-

PAGE 2/2	ISSUE 1449B	SERIES N	PART NUMBER R161410520
----------	-------------	----------	------------------------

PACKAGING

Standard	Unit	Other
50	Contact us	Contact us

ELECTRICAL CHARACTERISTICS

Impedance		50	Ω
Frequency		0-11	GHz
VSWR	1.04	+	0.0040 x F(GHz) Maxi
Insertion loss		.015*	√F(GHz) dB Maxi
RF leakage	- (101	- F(GHz) dB Maxi
Voltage rating		1400	Veff Maxi
Dielectric withstanding voltage		2500	Veff mini
Insulation resistance		5000	MΩ mini

ENVIRONMENTAL

Operating temperature	-55/+155	°C
Hermetic seal	NA	Atm.cm3/s
Panel leakage	NA	

MECHANICAL CHARACTERISTICS

Center contact retention			
Axial force – Mating End		27	N mini
Axial force – Opposite end		27	N mini
Torque		2.8	N.cm mini

SPECIFICATION

Recommended torque			
Mating		NA	N.cm
Panel nut		NA	N.cm

OTHER CHARACTERISTICS

Mating life		500	Cycles mini
Weight		13.0500	g

Assembly instruction:

Others:

*** Coaxial Transmission Line Only**