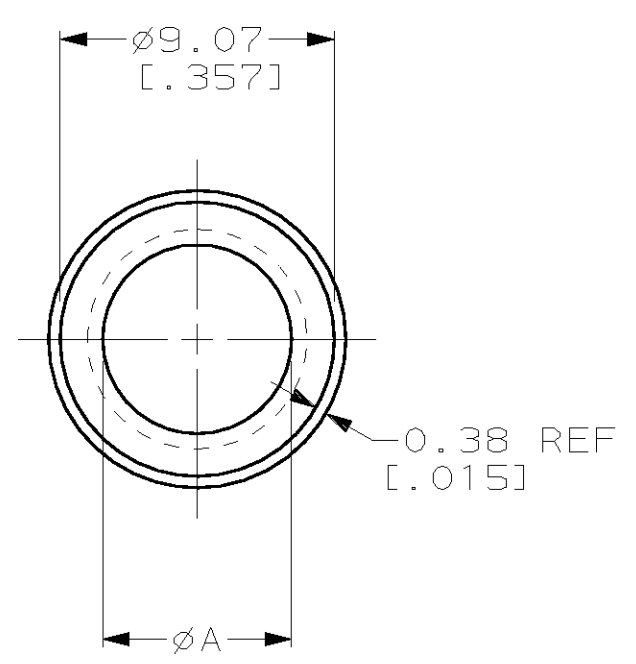
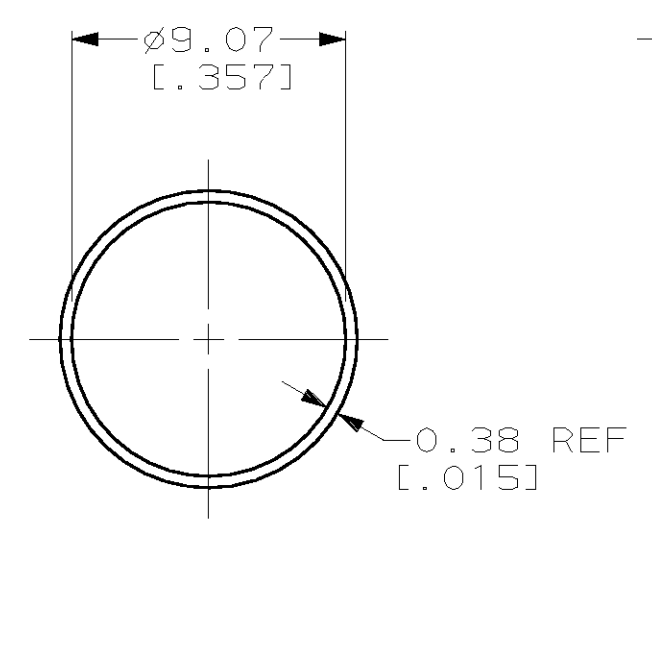


THIS DRAWING IS UNPUBLISHED. RELEASED FOR PUBLICATION ,19 .  
 © COPYRIGHT 19 BY AMP INCORPORATED. ALL RIGHTS RESERVED.

LOC	DIST	REVISIONS			
P	LTR	DESCRIPTION	DATE	DWN	APVD
GP	00	B	REVISED PER EC 0513-0165-04	19MAY04	JG CR



STYLE I



STYLE II

- ① 0.0051 [0.000200] MIN BRIGHT TIN OR BRIGHT TIN-LEAD OVER 0.0025 [0.000100] MIN COPPER.
- ② 0.0051 [0.000200] MIN BRIGHT TIN OVER 0.0025 [0.000100] MIN COPPER.

FINISH	INSULATION RANGE DIAMETER, REF	STYLE	A	PART NUMBER
②	4.06-4.83 [0.160-.190]	I	6.29 [0.246]	1-1324504-2
②	5.46-6.22 [0.215-.245]	I	7.62 [0.300]	1-1324504-1
②	5.97-6.73 [0.235-.265]	II	-	1-1324504-0
①	4.06-4.83 [0.160-.190]	I	6.29 [0.246]	1324504-9
①	5.46-6.22 [0.215-.245]	I	7.62 [0.300]	1324504-8
①	5.97-6.73 [0.235-.265]	II	-	1324504-7

**COPYRIGHT 2002  
 TYCO ELECTRONICS CORP  
 ALL RIGHTS RESERVED**

THIS DRAWING IS A CONTROLLED DOCUMENT.		DWN J. GERACE 18JAN02	AMP Incorporated Harrisburg, PA 17105-3608	
DIMENSIONS: mm [INCHES]		CHK C. ROHDE 18JAN02	NAME <b>FERRULE, OUTER, HSSDC/HSSDC2</b>	
TOLERANCES UNLESS OTHERWISE SPECIFIED: 0 PLC ±- 1 PLC ±- 2 PLC ±0.13 [0.005] 3 PLC ±- 4 PLC ±- ANGLES ±-		APVD M. WALMSLEY 18JAN02		
MATERIAL STEEL, ANNEALED		FINISH SEE TABLE	PRODUCT SPEC -	APPLICATION SPEC -
CUSTOMER DRAWING		WEIGHT -	SIZE A3	CAGE CODE 00779
			DRAWING NO C- 1324504	RESTRICTED TO -
			SCALE 4:1	SHEET 1 OF 1
				REV B