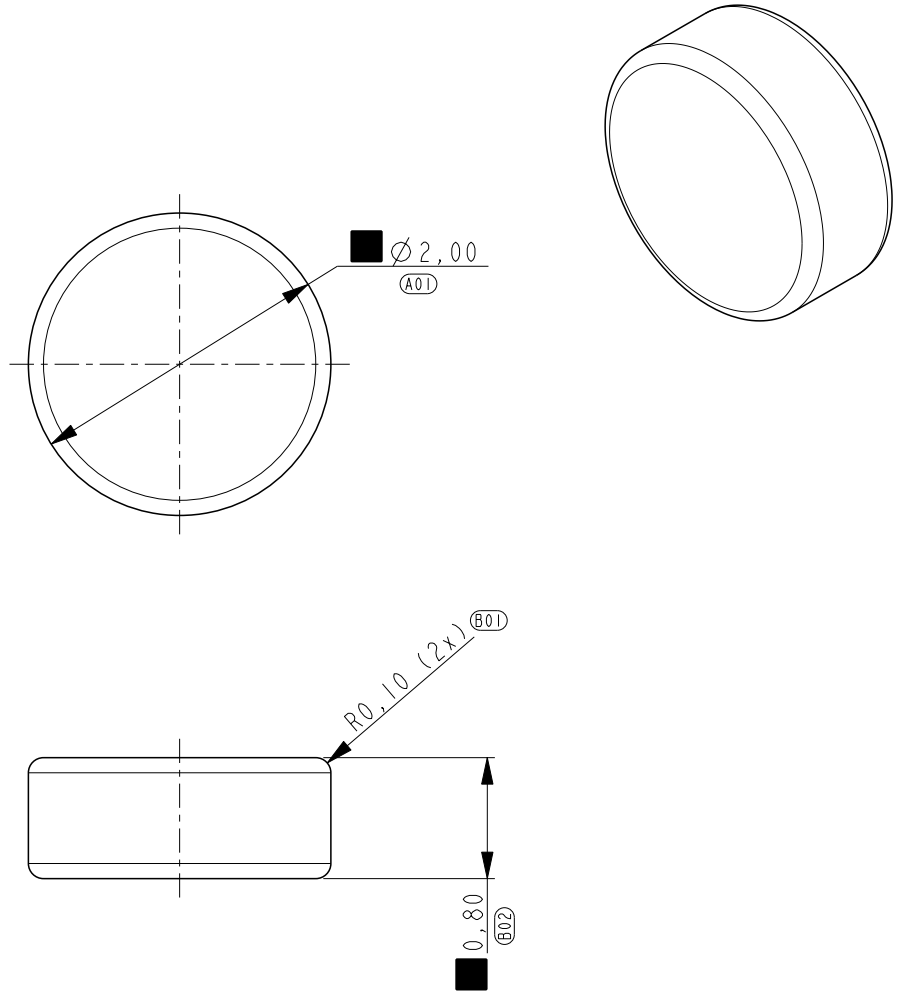


LOC	DIST	REVISIONS			
P	LTR	DESCRIPTION	DATE	DWN	APVD
H	-	A	ECR-11-016509	25AUG2011	JvH DH



NOTES:

⚠ PLATING: GOLD 0,1µm MIN. (SPEC. 112-162-5) ALL OVER
OVER 1,2µm MIN. NICKEL (SPEC. 112-25-2) ALL OVER.

2 ■ = CRITICAL DIMENSION

20


RELEASED FOR PUBLICATION

ALL RIGHTS RESERVED.

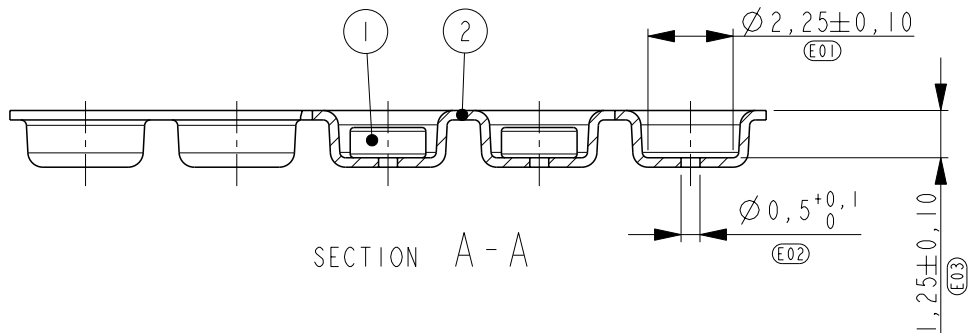
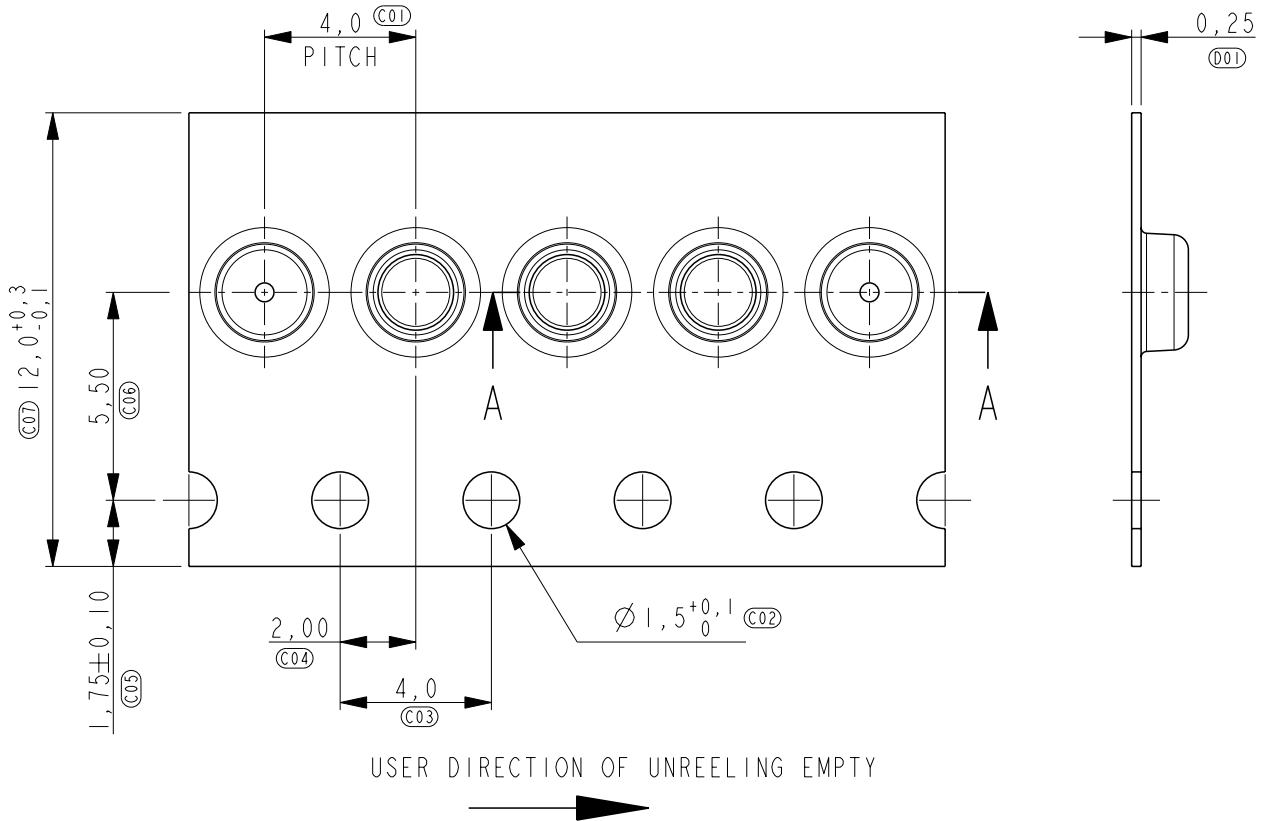
THIS DRAWING IS UNPUBLISHED.

BY -

© COPYRIGHT 20

1551719-3		SPACER		COPPER ALLOY		⚠		
PART NUMBER		DESCRIPTION		MATERIAL		FINISH		
DIMENSIONS: mm		DWN J. van Hoek 29JUN2010	MATERIAL -		FINISH -			
TOLERANCES UNLESS OTHERWISE SPECIFIED:		CHK T. Valkenburg 29JUN2010	 TE Connectivity					
0 PLC ±0,2 1 PLC ±0,1 2 PLC ±0,05 3 PLC ±0,025 4 PLC ±0,005 ANGLES ±2°		APVD D. Halberstadt 29JUN2010						
PRODUCT SPEC 108-19415		NAME SPACER PAD 0,8mm						
APPLICATION SPEC -		SIZE A4	CAGE CODE 00779	DRAWING NO C-1551719		RESTRICTED TO -		
WEIGHT -		CUSTOMER DRAWING				SCALE 20:1	SHEET 1 OF 2	REV A

LOC	DIST	REVISIONS					
H	-	P	LTR	DESCRIPTION	DATE	DWN	APVD
		-		SEE SHEET 1	-	-	-



2	EMBOSSED CARRIER TAPE
1	SPACER
ITEM NO.	DESCRIPTION

20

RELEASED FOR PUBLICATION

ALL RIGHTS RESERVED.


BY -

© COPYRIGHT 20

THIS DRAWING IS UNPUBLISHED.

DIMENSIONS:	
mm	
TOLERANCES UNLESS OTHERWISE SPECIFIED:	
0 PLC	±0,2
1 PLC	±0,1
2 PLC	±0,05
3 PLC	±0,025
4 PLC	±0,005
ANGLES	±2°

DWN	J. van Hoek	29JUN2010
CHK	T. Valkenburg	29JUN2010
APVD	D. Halberstadt	29JUN2010
PRODUCT SPEC	108-19415	
APPLICATION SPEC	-	
WEIGHT	-	
CUSTOMER DRAWING		

MATERIAL	-		FINISH	-
 TE Connectivity				
NAME				
SPACER PAD 0,8mm				
SIZE	CAGE CODE	DRAWING NO	RESTRICTED TO	
A4	00779	C-1551719	-	
SCALE 20:1			SHEET 2 OF 2	REV A