



**NeoPress™
Plug and Receptacle
Removal Tool**

**Application Tooling
Specification Sheet**



Order No. 62203-1410

FEATURES

- Uses a vertical pulling motion to prevent printed circuit board (PCB) damage
- Removes various sizes of plugs and receptacles
- Removes connectors without damage to the PCB

SCOPE

Products: NeoPress™ High Speed Mezzanine System, Plugs and Receptacles, 6 Column. See product list below for applicable part numbers.

Product List

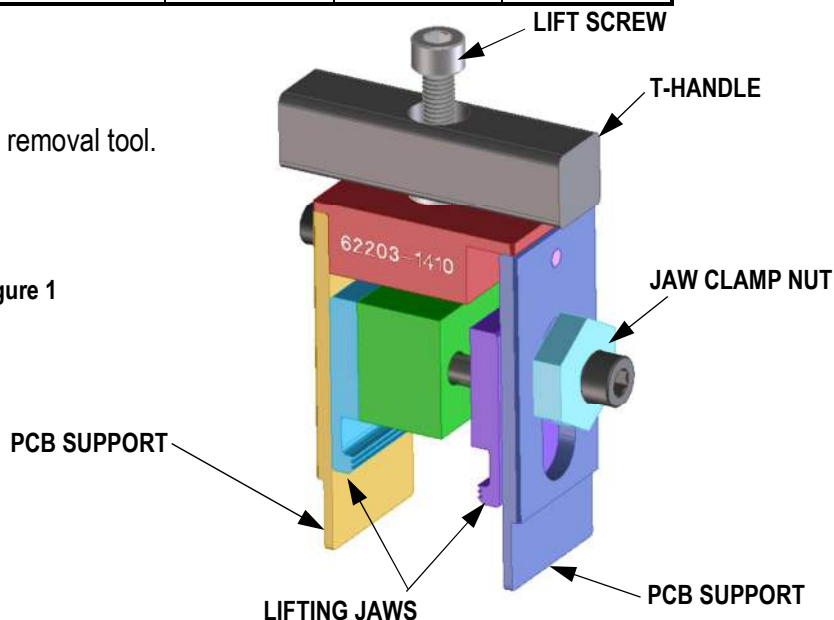
The following is a partial list of the product order numbers and specifications that this tool is designed to run. Updates to this list are available at <http://www.molex.com>.

Series Number	Height	Connector Part Number			
172801 Plug	13.5mm	172801-0001	172801-0005	172801-0017	
	18.5mm	172801-0009	172801-0013		
	21.5mm	172801-0006	172801-0007	172801-0015	172801-0018
172832 Receptacle	13.5mm	172832-0001	172832-0017	172832-0020	
	14.5mm	172832-0019			
	18.5mm	172832-0005	172832-0009	172832-0013	172832-0018
	20.5mm	172832-0006	172832-0007		
173363 Plug	7.5mm	173363-0001			
173364 Receptacle	7.5mm	173364-0001			

DESCRIPTION

Figure 1 illustrates the principal parts of the removal tool.

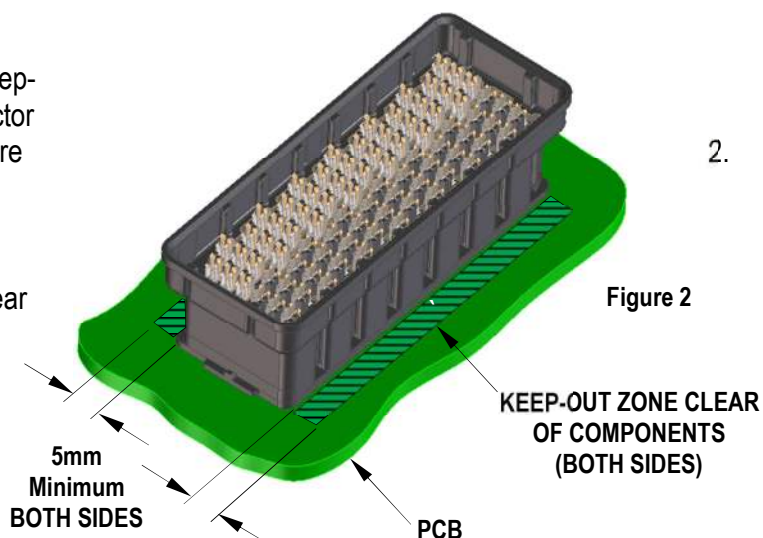
Figure 1



Tool Restrictions

In order for this removal tool to function, there is a Keep-Out Zone of 5mm (.20") along the sides of the connector that needs to be clear of other components. See Figure 2. This is a general requirement, regardless of the connector being removed.

Note: Be sure that all parts of the removal tool will clear any components on the PCB during use. Tape may also be placed over circuit traces or on the bottom of the PCB supports for added protection of the printed circuit board.



Tool Operation

Note: Some longer connectors may need the following steps repeated with the tool being reapplied along the length of the assembly.

1. Spin the T-Handle counterclockwise until it reaches the top of the Lifting Screw. (The Lifting Screw is locked in place and does not turn.) See Figure 3.
2. Open the movable Lifting Jaw by turning the Jaw Clamp Nut counterclockwise until the nut is close to the screw head. (The screw is locked in place and does not turn.) See Figure 3.

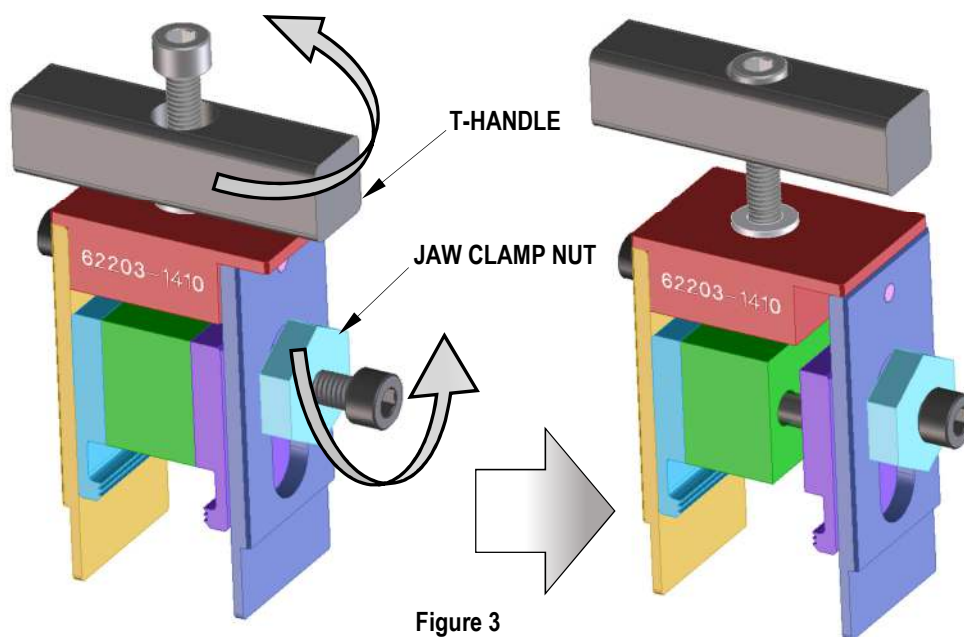
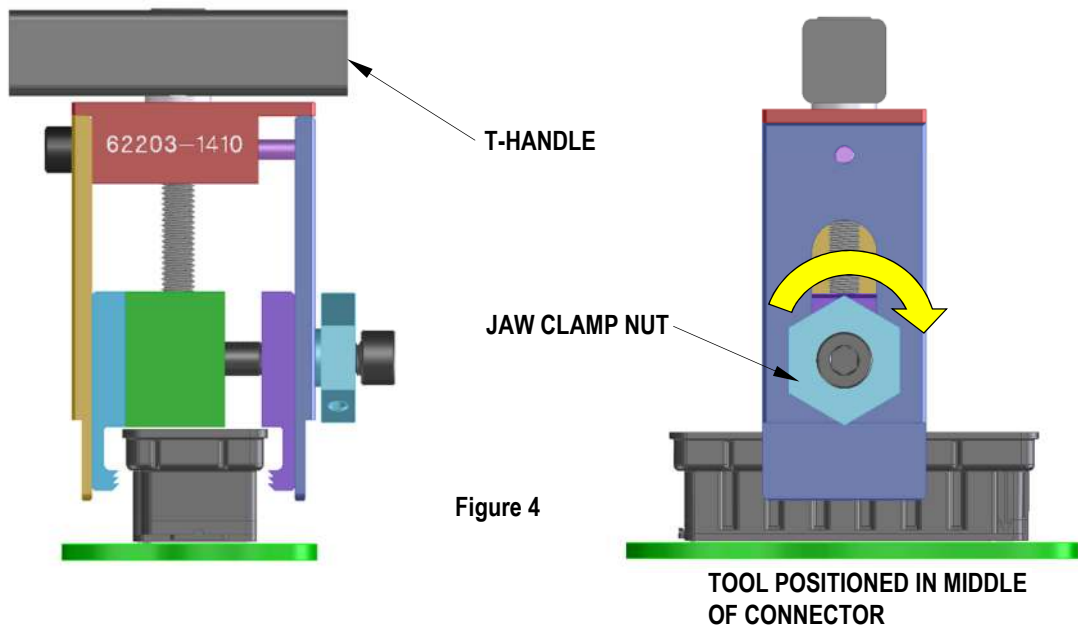


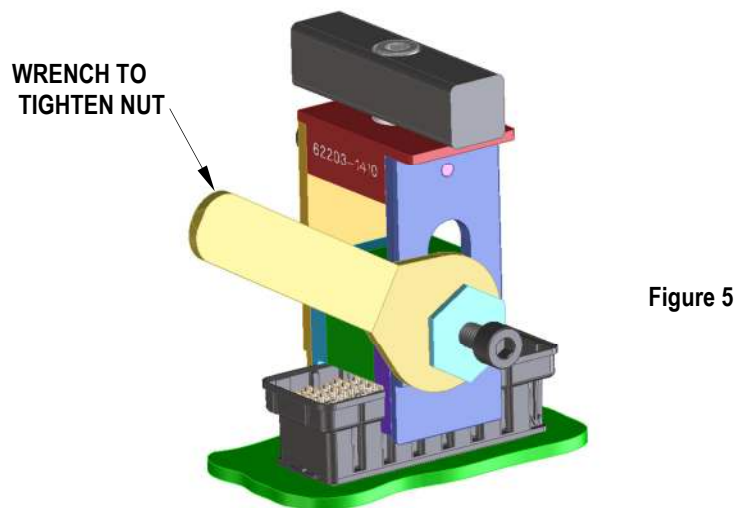
Figure 3

3. Slide the Lifting Jaws down by pushing downward on the T-Handle until the T-Handle is resting on top of the Removal Tool. See Figure 4.
4. Place the opened jaws on top of the connector housing, approximately in the middle of the connector's length, and start to close the jaws by turning the Jaw Clamp Nut clockwise by hand. See Figure 4.



5. To firmly grip the connector, be sure to use the provided wrench to securely tighten the Jaw Clamp Nut. See Figure 5.

Note: Make sure the jaws are tightly clamped on the connector; otherwise, the jaws may slip during removal.



6. To remove the connector from the PCB, turn the T-Handle clockwise to raise the Lifting Jaws. See Figure 6.

Note: If the connector begins to lift out of the circuit board at an angle, stop turning the T-Handle, loosen the Jaw Clamp Nut and reposition the Removal Tool to the area of the connector that is still in the board.

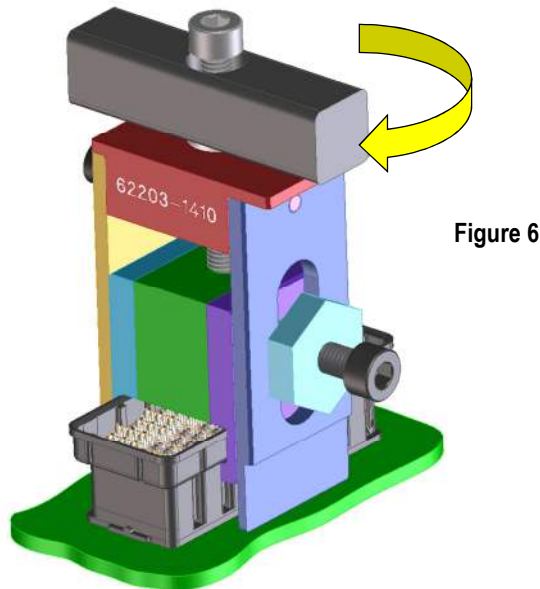


Figure 6

7. After the connector is removed from the printed circuit board, use the provided wrench to loosen the Jaw Clamp Nut to free the connector from the tool.
8. The removed connector cannot be reinserted and should be properly discarded.

Maintenance

It is recommended that each operator of the tool be made aware of and responsible for the following maintenance steps:

1. Remove dust, moisture and other contaminants with a clean brush or a soft, lint-free cloth.
2. Do not use any abrasive materials that could damage the tool.
3. Make certain all pins, pivot points and bearing surfaces are protected with a thin coat of high-quality machine oil. Do not oil excessively.
4. When the tool is not in use, store it in a clean, dry area.

CAUTION: Molex specifications are valid only when used with Molex terminals, applicators and tooling.

Application Tooling Support

Phone: +1-402-458-TOOL (8665)
E-Mail: applicationtooling@molex.com
Website: www.molex.com/applicationtooling