

TL494

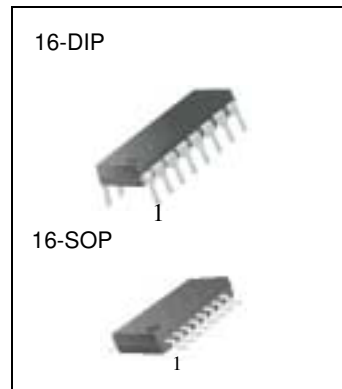
SMPS Controller

Features

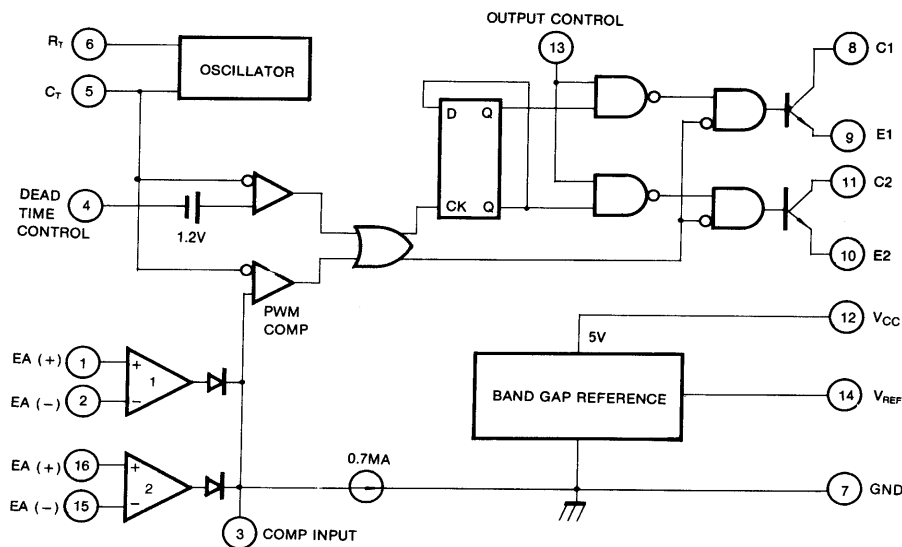
- Internal regulator provides a stable 5V reference supply trimmed to 5%
- Uncommitted output TR for 200mA sink or source current
- Output control for push-pull or single-ended operation
- Variable duty cycle by dead time control (pin 4) Complete PWM control circuit
- On-chip oscillator with master or slave operation
- Internal circuit prohibits double pulse at either output

Description

The TL494 is used for the control circuit of the PWM switching regulator. The TL494 consists of 5V reference voltage circuit, two error amplifiers, flip flop, an output control circuit, a PWM comparator, a dead time comparator and an oscillator. This device can be operated in the switching frequency of 1 KHz to 300 KHz.



Internal Block Diagram



Absolute Maximum Ratings

| Parameter | Symbol | Value | Unit |
|---|------------------|------------------------------|------|
| Supply Voltage | V _{CC} | 42 | V |
| Collector Supply Voltage | V _C | 42 | V |
| Output Current | I _O | 250 | mA |
| Amplifier Input Voltage | V _{IN} | V _{CC} + 0.3 | V |
| Power Dissipation (T _A = 25°C) | P _D | 1 (TL494CN) 0.9 (TL494CD) | W |
| Operating Temperature Range | T _{OPR} | 0 ~ +70 | °C |
| Storage Temperature Range | T _{STG} | -65 ~ + 150 | °C |

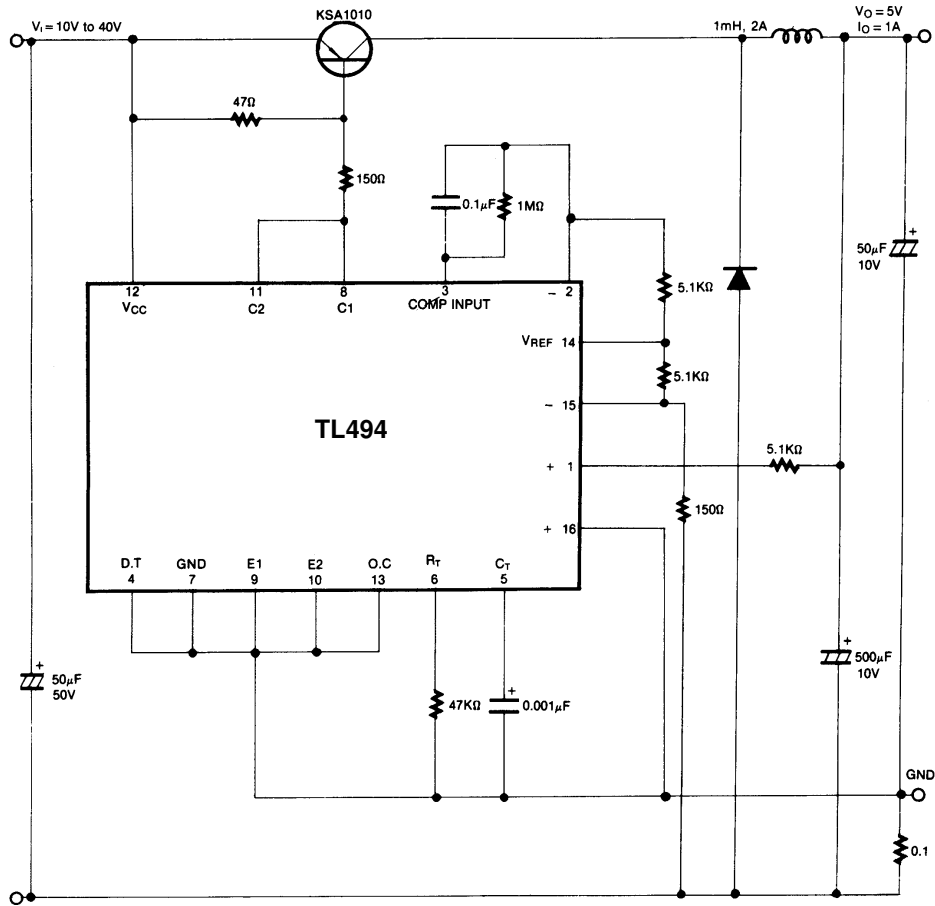
Electrical Characteristics

($V_{CC} = 20V$, $f = 10KHz$, $T_A = 0^{\circ}C$ to $+70^{\circ}C$, unless otherwise specified)

| Parameter | Symbol | Conditions | Min. | Typ. | Max. | Unit |
|---|---------------------------|--|------|------|----------|----------------|
| REFERENCE SECTION | | | | | | |
| Reference Output Voltage | V_{REF} | $I_{REF} = 1mA$ | 4.75 | 5.0 | 5.25 | V |
| Line Regulation | ΔV_{REF} | $V_{CC} = 7V$ to $40V$ | - | 2.0 | 25 | mV |
| Temperature Coefficient of V_{REF} | $\Delta V_{REF}/\Delta T$ | $T_A = 0^{\circ}C$ to $70^{\circ}C$ | - | 0.01 | 0.03 | %/ $^{\circ}C$ |
| Load Regulation | ΔV_{REF} | $I_{REF} = 1mA$ to $10mA$ | - | 1.0 | 15 | mV |
| Short-Circuit Output Current | I_{SC} | $V_{REF} = 0V$ | 10 | 35 | 50 | mA |
| OSCILLATOR SECTION | | | | | | |
| Oscillation Frequency | f | $C_T = 0.01\mu F$, $R_T = 12K\Omega$ | - | 10 | - | KHz |
| Frequency Change with Temperature | $\Delta f/\Delta T$ | $C_T = 0.01\mu F$, $R_T = 12K\Omega$ | - | - | 2 | % |
| DEAD TIME CONTROL SECTION | | | | | | |
| Input Bias Current | I_{BIAS} | $V_{CC} = 15V$, $0V \leq V_4 \leq 5.25V$ | - | -2.0 | -10 | μA |
| Maximum Duty Cycle | $D_{(MAX)}$ | $V_{CC} = 15V$, $V_4 = 0V$ O.C Pin = V_{REF} | 45 | - | - | % |
| Input Threshold Voltage | V_{ITH} | Zero Duty Cycle | - | 3.0 | 3.3 | V |
| | | Max. Duty Cycle | 0 | - | - | |
| ERROR AMP SECTION | | | | | | |
| Input Offset Voltage | V_{IO} | $V_3 = 2.5V$ | - | 2.0 | 10 | mV |
| Input Offset Current | I_{IO} | $V_3 = 2.5V$ | - | 25 | 250 | mA |
| Input Bias Current | I_{BIAS} | $V_3 = 2.5V$ | - | 0.2 | 1.0 | μA |
| Common Mode Input Voltage | V_{CM} | $7V \leq V_{CC} \leq 40V$ | -0.3 | - | V_{CC} | V |
| Open-Loop Voltage Gain | G_{VO} | $0.5V \leq V_3 \leq 3.5V$ | 70 | 95 | - | dB |
| Unit-Gain Bandwidth | BW | - | - | 650 | - | KHz |
| PWM COMPARATOR SECTION | | | | | | |
| Input Threshold Voltage | V_{ITH} | Zero Duty Cycle | - | 4 | 4.5 | V |
| Input Sink Current | I_{SINK} | $V_3 = 0.7V$ | -0.3 | -0.7 | - | mV |
| OUTPUT SECTION | | | | | | |
| Output Saturation Voltage Common Emitter | $V_{CE(SAT)}$ | $V_E = 0$, $I_C = 200mA$ | - | 1.1 | 1.3 | V |
| | $V_{CC(SAT)}$ | $V_C = 15V$, $I_E = -200mA$ | - | 1.5 | 2.5 | |
| Collector Off-State Current | $I_{C(OFF)}$ | $V_{CC} = 40V$, $V_{CE} = 40V$ | - | 2 | 100 | μA |
| Emitter Off-State Current | $I_{E(OFF)}$ | $V_{CC} = V_C = 40V$, $V_E = 0$ | - | - | -100 | |
| TOTAL DEVICE | | | | | | |
| Supply Current | I_{CC} | Pin 6 = V_{REF} , $V_{CC} = 15V$ | - | 6 | 10 | mA |
| OUTPUT SWITCHING CHARACTERISTIC | | | | | | |
| Rise Time | t_R | - | - | - | - | - |
| Common Emitter | - | - | - | 100 | 200 | ns |
| Common Collector | - | - | - | 100 | 200 | |
| Fall Time | t_F | - | - | - | - | - |
| Common Emitter | - | - | - | 25 | 100 | ns |
| Common Collector | - | - | - | 40 | 100 | |

Typical Application

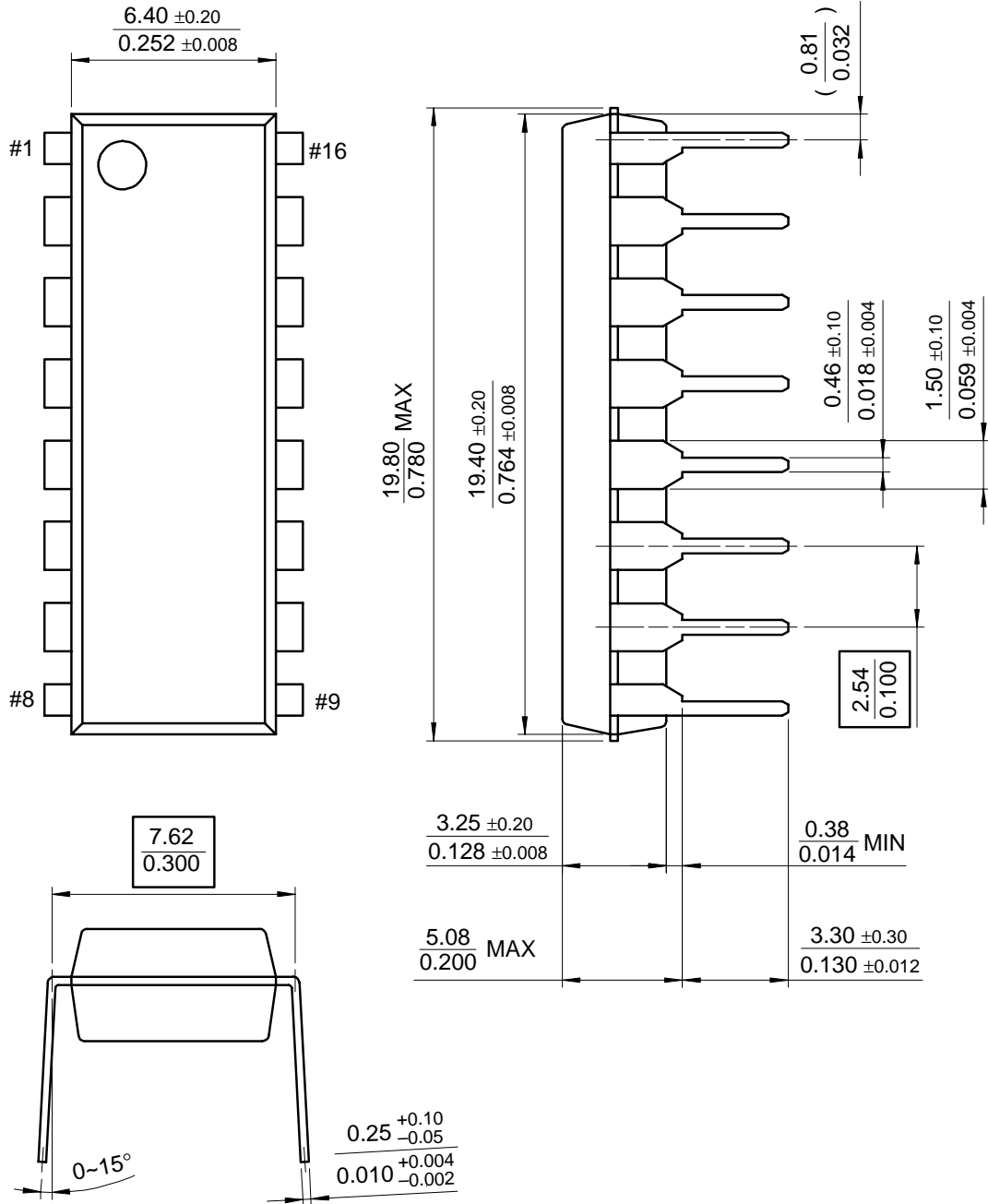
Pulse Width Modulated Step-down Converter



Mechanical Dimensions

Package

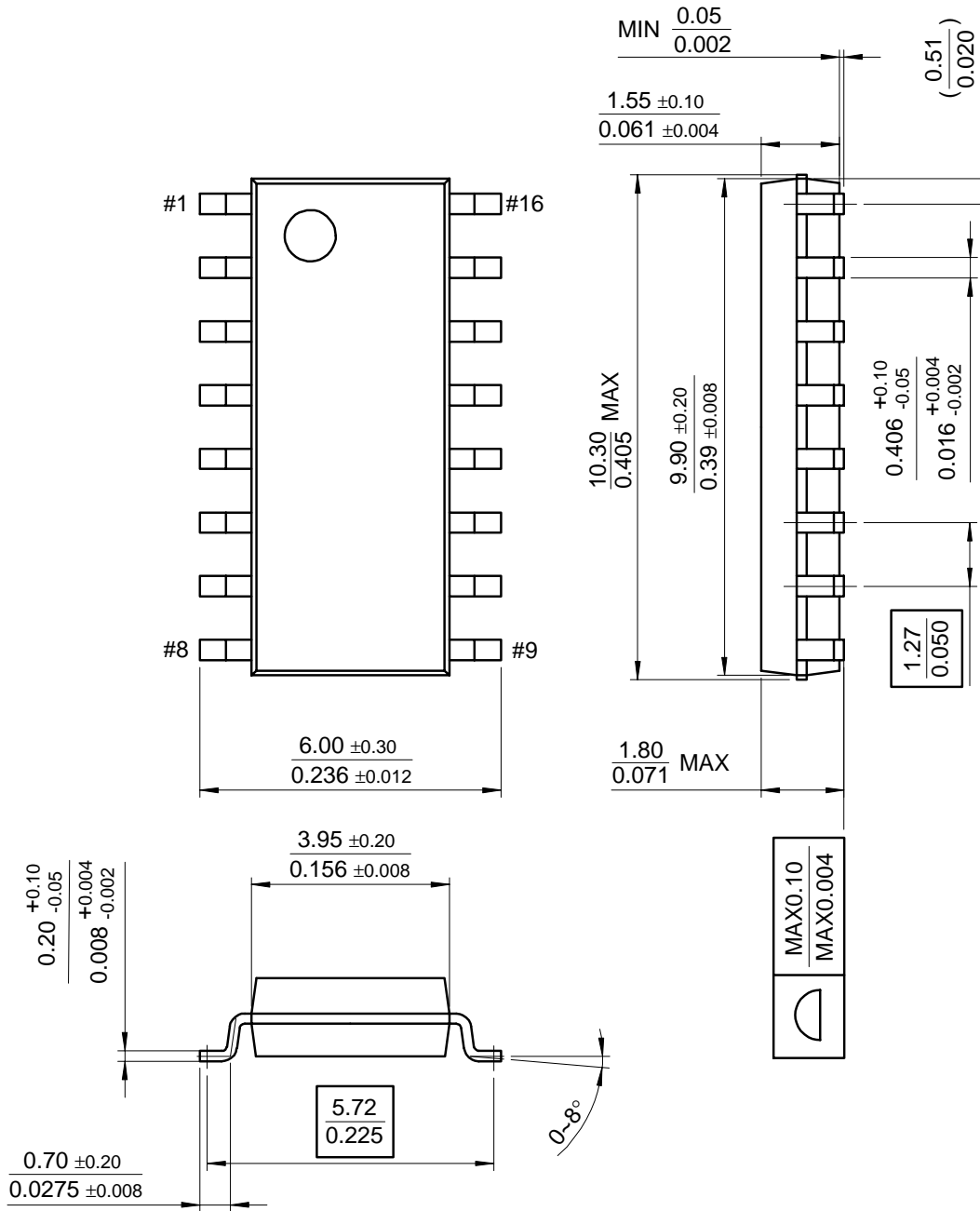
16-DIP



Mechanical Dimensions (Continued)

Package

16-SOP



Ordering Information

| Product Number | Package | Operating Temperature |
|----------------|---------|-----------------------|
| TL494CN | 16 DIP | 0 ~ + 70°C |
| TL494CD | 16 SOP | |

LIFE SUPPORT POLICY

FAIRCHILD'S PRODUCTS ARE NOT AUTHORIZED FOR USE AS CRITICAL COMPONENTS IN LIFE SUPPORT DEVICES OR SYSTEMS WITHOUT THE EXPRESS WRITTEN APPROVAL OF THE PRESIDENT OF FAIRCHILD SEMICONDUCTOR INTERNATIONAL. As used herein:

1. Life support devices or systems are devices or systems which, (a) are intended for surgical implant into the body, or (b) support or sustain life, and (c) whose failure to perform when properly used in accordance with instructions for use provided in the labeling, can be reasonably expected to result in a significant injury of the user.
2. A critical component in any component of a life support device or system whose failure to perform can be reasonably expected to cause the failure of the life support device or system, or to affect its safety or effectiveness.

Fairchild Semiconductor

SEARCH | Parametric | Cross Reference

space Product Folders and Applies

find products

Home >> Find products >>

- [Products groups](#)
- [Analog and Mixed](#)
- [Signal](#)
- [Discrete](#)
- [Interface](#)
- [Logic](#)
- [Microcontrollers](#)
- [Non-Volatile](#)
- [Memory](#)
- [Optoelectronics](#)
- [Markets and applications](#)
- [New products](#)
- [Product selection and parametric search](#)
- [Cross-reference search](#)

TL494
SMPS Controller

Contents
[General description](#) | [Features](#) | [Product status/pricing/packaging](#)

General description

The TL494 is used for the control circuit of the PWM switching regulator. The TL494 consists of 5V reference voltage circuit, two error amplifiers, flip flop, an output control circuit, a PWM comparator, a dead time comparator and an oscillator. This device can be operated in the switching frequency of 1 KHz to 300 KHz.

Datasheet
[Download this datasheet](#)



[e-mail this datasheet](#)



This page [Print version](#)

Related Links

[Request samples](#)

[How to order products](#)

[Product Change Notices \(PCNs\)](#)

[Support](#)

[Distributor and field sales representatives](#)

[Quality and reliability](#)

[Design tools](#)

technical information

buy products

technical support

my Fairchild

company

[back to top](#)

Features

- Internal regulator provides a stable 5V reference supply trimmed to 5%
- Uncommitted output TR for 200mA sink or source current
- Output control for push-pull or single-ended operation
- Variable duty cycle by dead time control (pin 4) Complete PWM control circuit
- On-chip oscillator with master or slave operation
- Internal circuit prohibits double pulse at either output

[back to top](#)

Product status/pricing/packaging

| Product | Product status | Package type | Leads | Packing method |
|---------|-----------------|---------------------|-------|----------------|
| TL494CD | Full Production | SOP | 16 | RAIL |

| | | | | |
|----------|-----------------|---------------------|----|-----------|
| TL494CDX | Full Production | SOP | 16 | TAPE REEL |
| TL494CN | Full Production | DIP | 16 | RAIL |

[back to top](#)

[Home](#) | [Find products](#) | [Technical information](#) | [Buy products](#) |
[Support](#) | [Company](#) | [Contact us](#) | [Site index](#) | [Privacy policy](#)

© [Copyright 2002 Fairchild Semiconductor](#)
