

NOTES:

1. METAL SHELLS: STEEL; min. 315µm TIN over 40-80µm NICKEL
2. INSULATORS: PBT GF UL 94 V-0, BLACK
3. CONTACTS: COPPER ALLOY; PLATING (SEE PART NO):
 - PLEASE ADD A for GOLD FLASH over NICKEL (PREFERRED TYPE)
 - PLEASE ADD B for 20µm HARD GOLD over min. 50µm NICKEL
 - PLEASE ADD C for 30µm HARD GOLD over min. 50µm NICKEL
4. METAL BRACKETS:
 - ZINC DIE CAST; 300µm COPPER/40-120µm NICKEL/120-200µm TIN
5. THREADED INSERTS: COPPER ALLOY; min. 200µm TIN over 80µm NICKEL
6. FIXING PLATE: PBT GF UL 94 V-0, BLACK
7. PCB-SNAPS: COPPER ALLOY; min. 200µm TIN over 80µm NICKEL
PCB-HOLE: $\phi 3,1 \pm 0,1$ mm; PCB-THICKNESS: 1,6mm
8. P.C.B. HOLE DRILLINGS ON SHEET 2
9. MAXIMUM TORQUE VALUE FOR THREAD: 6 in.LB
10. CONNECTOR IS PART MARKET: **164□19939X CONEC ABC**

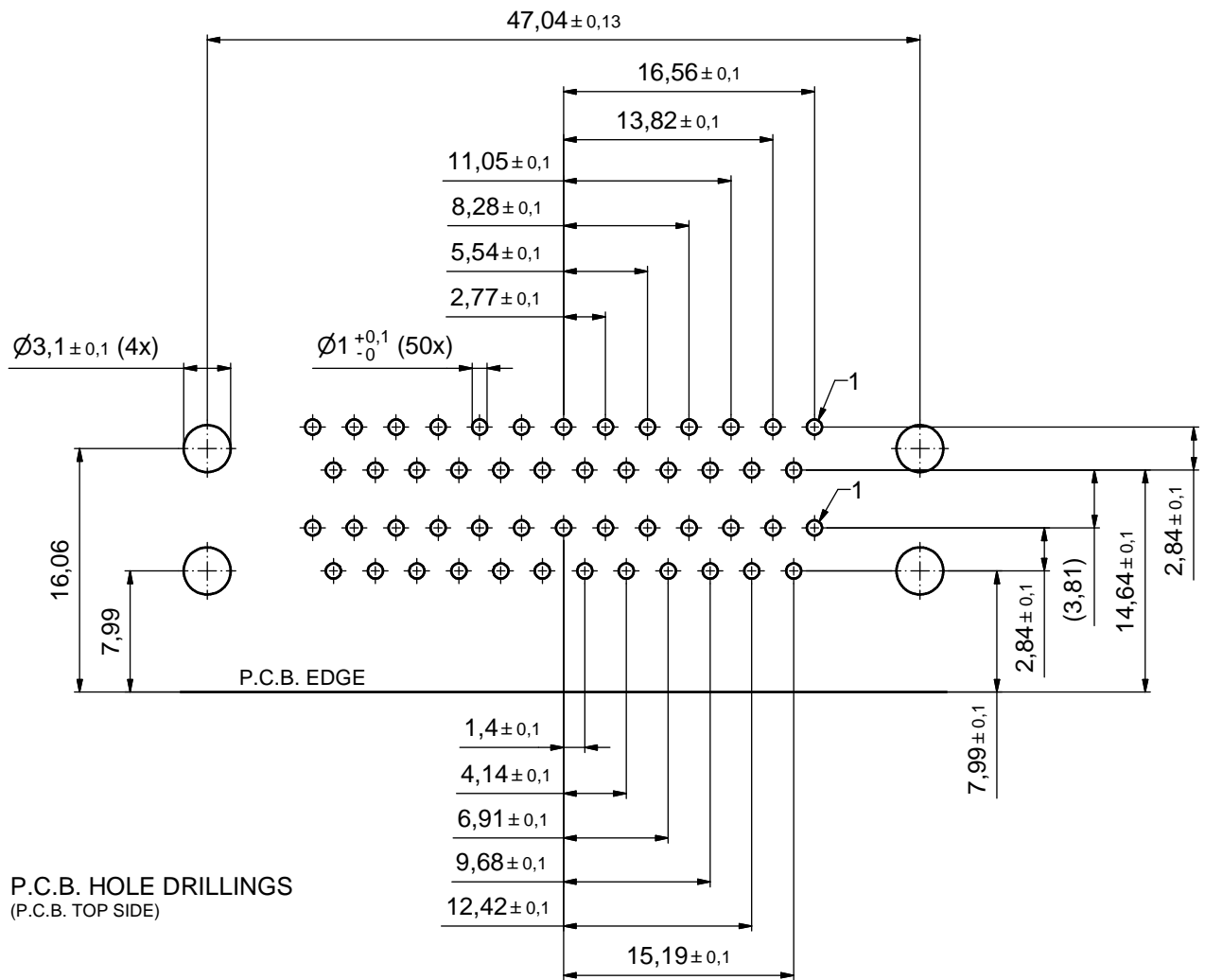
Directive 2002/95/EC RoHS compliant

THIS DRAWING MAY NOT BE COPIED OR REPRODUCED IN ANY WAY, AND MAY NOT BE PASSED ON TO A THIRD PARTY WITHOUT WRITTEN PERMISSION. OWNERSHIP AND COPYRIGHT OF CONEC GmbH

DO NOT ALTER CAD DRAWING BY HAND

				tolerance		dim. in mm
				date	name	
				drawn	10.04.13	Schmidt
				appd.	10.04.13	Fischer
				norm		
				d-old	16K1A543 / 16K11MGA	
1 x b	A4717	10.04.13	HS	CONEC [®]		
a	Original					
rev.	description	date	name			

scale:	2:1
material:	see notes
title:	
D-SUB DUAL PORT 19,05mm	
FEMALE / FEMALE 2x25pos.	
threaded insert, metal bracket, fixing plate, snap	
dwg no:	
part no:	164□19939X (see note 3)
DIN-A3	(b)
sh: 1	



P.C.B. HOLE DRILLINGS
(P.C.B. TOP SIDE)

P.C.B. EDGE

THIS DRAWING MAY NOT BE COPIED OR REPRODUCED IN ANY WAY, AND MAY NOT BE PASSED ON TO A THIRD PARTY WITHOUT WRITTEN PERMISSION. OWNERSHIP AND COPYRIGHT OF CONEC GmbH DO NOT ALTER CAD DRAWING BY HAND				tolerance		 dim. in mm	scale: 3:1		
							material: see sheet 1		
				date	name		title:		
				drawn	10.04.13	Schmidt		P.C.B. HOLE DRILLINGS D-SUB DUAL PORT 19,05mm FEMALE / FEMALE 2x25pos.	
				appd.	10.04.13	Fischer			
			norm			dwg no:			
			d-old	see sheet 1		16K1A3221			
			rev.	description	date	name	part no: see sheet 1 DIN-A3 sh: 2		

