



Circuit breaker size S2 for motor protection, CLASS 10 A-release 49...59 A N-release 845 A screw terminal increased switching capacity

product brand name	SIRIUS
product designation	Circuit breaker
design of the product	For motor protection
product type designation	3RV2
General technical data	
size of the circuit-breaker	S2
size of contactor can be combined company-specific	S2
product extension auxiliary switch	Yes
power loss [W] for rated value of the current	
• at AC in hot operating state	26 W
• at AC in hot operating state per pole	8.7 W
insulation voltage with degree of pollution 3 at AC rated value	690 V
surge voltage resistance rated value	6 kV
shock resistance according to IEC 60068-2-27	25g / 11 ms Sinus
mechanical service life (switching cycles)	
• of the main contacts typical	20 000
• of auxiliary contacts typical	20 000
electrical endurance (switching cycles) typical	20 000
type of protection according to ATEX directive 2014/34/EU	Ex II (2) GD
certificate of suitability according to ATEX directive 2014/34/EU	DMT 02 ATEX F 001
reference code according to IEC 81346-2	Q
Substance Prohibitance (Date)	03/01/2017
Ambient conditions	
installation altitude at height above sea level maximum	2 000 m
ambient temperature	
• during operation	-20 ... +60 °C
• during storage	-50 ... +80 °C
• during transport	-50 ... +80 °C
relative humidity during operation	10 ... 95 %
Main circuit	
number of poles for main current circuit	3
adjustable current response value current of the current-dependent overload release	49 ... 59 A
operating voltage	
• rated value	20 ... 690 V
• at AC-3 rated value maximum	690 V
• at AC-3e rated value maximum	690 V

operating frequency rated value	50 ... 60 Hz
operational current rated value	59 A
operational current	
• at AC-3 at 400 V rated value	59 A
• at AC-3e at 400 V rated value	59 A
operating power	
• at AC-3	
— at 230 V rated value	15 kW
— at 400 V rated value	30 kW
— at 500 V rated value	37 kW
— at 690 V rated value	55 kW
• at AC-3e	
— at 230 V rated value	15 kW
— at 400 V rated value	30 kW
— at 500 V rated value	37 kW
— at 690 V rated value	55 kW
operating frequency	
• at AC-3 maximum	15 1/h
• at AC-3e maximum	15 1/h
Protective and monitoring functions	
product function	
• ground fault detection	No
• phase failure detection	Yes
trip class	CLASS 10
design of the overload release	thermal
breaking capacity maximum short-circuit current (I_{cu})	
• at AC at 240 V rated value	100 kA
• at AC at 400 V rated value	100 kA
• at AC at 500 V rated value	10 kA
• at AC at 690 V rated value	6 kA
breaking capacity operating short-circuit current (I_{cs}) at AC	
• at 240 V rated value	100 kA
• at 400 V rated value	50 kA
• at 500 V rated value	5 kA
• at 690 V rated value	4 kA
response value current of instantaneous short-circuit trip unit	845 A
UL/CSA ratings	
full-load current (FLA) for 3-phase AC motor	
• at 480 V rated value	59 A
• at 600 V rated value	59 A
yielded mechanical performance [hp]	
• for single-phase AC motor	
— at 110/120 V rated value	5 hp
— at 230 V rated value	10 hp
• for 3-phase AC motor	
— at 220/230 V rated value	20 hp
— at 460/480 V rated value	40 hp
— at 575/600 V rated value	50 hp
Short-circuit protection	
product function short circuit protection	Yes
design of the short-circuit trip	magnetic
design of the fuse link for IT network for short-circuit protection of the main circuit	
• at 240 V	none required
• at 400 V	160
• at 500 V	125
• at 690 V	100
Installation/ mounting/ dimensions	

mounting position	any
fastening method	screw and snap-on mounting onto 35 mm standard mounting rail according to DIN EN 60715
height	140 mm
width	55 mm
depth	149 mm
required spacing	
<ul style="list-style-type: none"> ● for grounded parts at 400 V <ul style="list-style-type: none"> — downwards 50 mm — upwards 50 mm — at the side 10 mm ● for live parts at 400 V <ul style="list-style-type: none"> — downwards 50 mm — upwards 50 mm — at the side 10 mm ● for grounded parts at 500 V <ul style="list-style-type: none"> — downwards 50 mm — upwards 50 mm — at the side 10 mm ● for live parts at 500 V <ul style="list-style-type: none"> — downwards 50 mm — upwards 50 mm — at the side 10 mm ● for grounded parts at 690 V <ul style="list-style-type: none"> — downwards 50 mm — upwards 50 mm — at the side 10 mm ● for live parts at 690 V <ul style="list-style-type: none"> — downwards 50 mm — upwards 50 mm — at the side 10 mm 	

Connections/ Terminals

type of electrical connection	
<ul style="list-style-type: none"> ● for main current circuit 	screw-type terminals
arrangement of electrical connectors for main current circuit	Top and bottom
type of connectable conductor cross-sections	
<ul style="list-style-type: none"> ● for main contacts <ul style="list-style-type: none"> — solid or stranded 2x (1 ... 35 mm²), 1x (1 ... 50 mm²) — finely stranded with core end processing 2x (1 ... 25 mm²), 1x (1 ... 35 mm²) ● at AWG cables for main contacts 2x (18 ... 2), 1x (18 ... 1) 	
tightening torque	
<ul style="list-style-type: none"> ● for main contacts with screw-type terminals 	3 ... 4.5 N·m
design of screwdriver shaft	Diameter 5 to 6 mm
size of the screwdriver tip	Pozidriv size 2
design of the thread of the connection screw	
<ul style="list-style-type: none"> ● for main contacts 	M6

Safety related data

B10 value	
<ul style="list-style-type: none"> ● with high demand rate according to SN 31920 	5 000
proportion of dangerous failures	
<ul style="list-style-type: none"> ● with low demand rate according to SN 31920 ● with high demand rate according to SN 31920 	50 % 50 %
failure rate [FIT]	
<ul style="list-style-type: none"> ● with low demand rate according to SN 31920 	50 FIT
T1 value for proof test interval or service life according to IEC 61508	10 y
protection class IP on the front according to IEC 60529	IP20
touch protection on the front according to IEC 60529	finger-safe, for vertical contact from the front
display version for switching status	Handle

Certificates/ approvals

General Product Approval



[Confirmation](#)



[KC](#)



For use in hazardous locations



IECEX



ATEX



Declaration of Conformity



EG-Konf.

Test Certificates

[Special Test Certificate](#)

[Type Test Certificate/Test Report](#)

Marine / Shipping



ABS



BUREAU
VERITAS



DNV



LRS



PRS



RINA

Marine / Shipping

other

Railway



RMRS

[Confirmation](#)



VDE

[Confirmation](#)

[Vibration and Shock](#)

Further information

Information- and Downloadcenter (Catalogs, Brochures,...)

<https://www.siemens.com/ic10>

Industry Mall (Online ordering system)

<https://mall.industry.siemens.com/mall/en/en/Catalog/product?mlfb=3RV2032-4XA10>

Cax online generator

<http://support.automation.siemens.com/WW/CAXorder/default.aspx?lang=en&mlfb=3RV2032-4XA10>

Service&Support (Manuals, Certificates, Characteristics, FAQs,...)

<https://support.industry.siemens.com/cs/ww/en/ps/3RV2032-4XA10>

Image database (product images, 2D dimension drawings, 3D models, device circuit diagrams, EPLAN macros, ...)

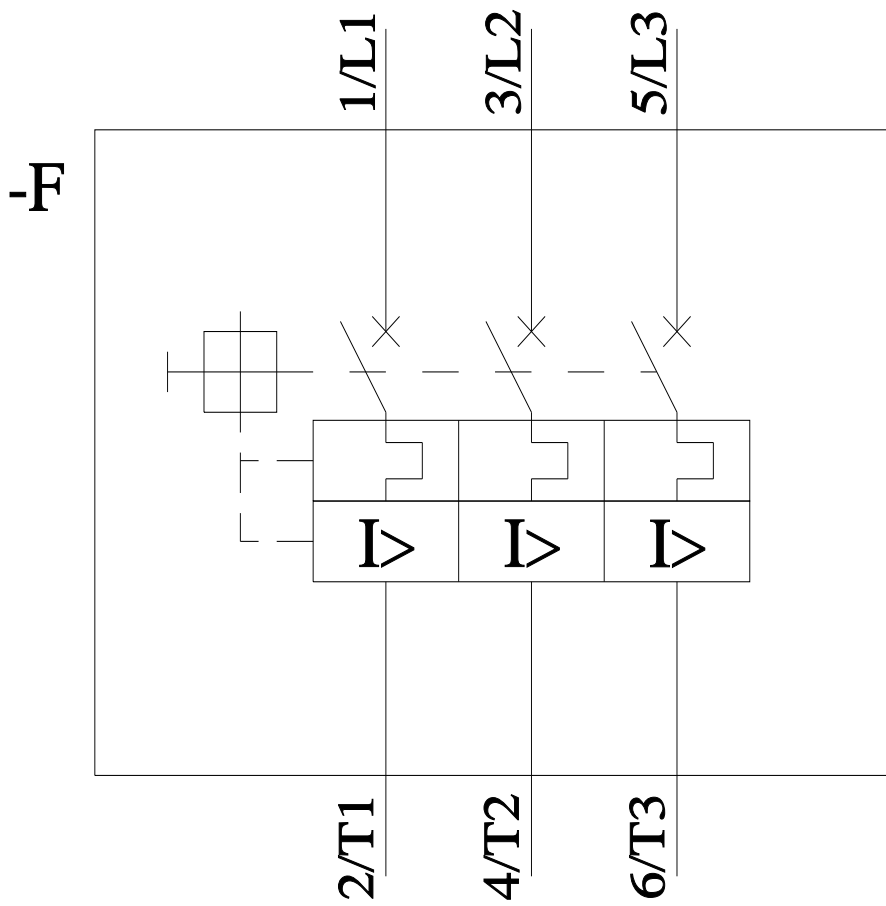
http://www.automation.siemens.com/bilddb/cax_de.aspx?mlfb=3RV2032-4XA10&lang=en

Characteristic: Tripping characteristics, I²t, Let-through current

<https://support.industry.siemens.com/cs/ww/en/ps/3RV2032-4XA10/char>

Further characteristics (e.g. electrical endurance, switching frequency)

<http://www.automation.siemens.com/bilddb/index.aspx?view=Search&mlfb=3RV2032-4XA10&objecttype=14&gridview=view1>



last modified:

6/25/2022 