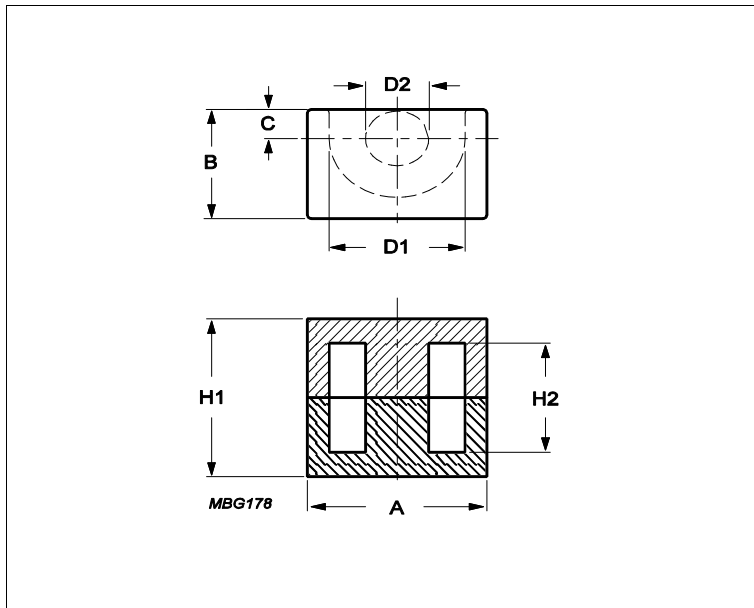


Core **EP20**



Effective parameters			
	Parameter	Value	Unit
$\Sigma(I/A)$	core factor (C1)	0.52	mm ⁻¹
Ve	effective volume	3230	mm ³
Le	effective length	41.1	mm
Ae	effective area	78.7	mm ²
Amin	minimum area	60.8	mm ²
m	EP20	≈ 27	g/set

Dimensions for product: EP20						
	Nom	Tol +	Tol -	Max	Min	Unit
A	24.00	0.50	0.50	24.50	23.50	mm
B	15.00	0.35	0.35	15.35	14.65	mm
C	4.50	0.20	0.20	4.70	4.30	mm
D1	16.50	0.40	0.40	16.90	16.10	mm
D2	8.80	0.25	0.25	9.05	8.55	mm
H1	21.40	0.20	0.20	21.60	21.20	mm
H2	14.40	0.30	0.30	14.70	14.10	mm

Inductance factor					
Material	Value	Tol +	Tol -	Unit	
3C91	4900	25%	25%	nH/turns ²	
3C96	3850	25%	25%	nH/turns ²	
3F36	2690	25%	25%	nH/turns ²	
3F46	1600	25%	25%	nH/turns ²	

Power loss: 3C91					
Measuring conditions			Max	Unit	
100 kHz	200 mT	60 °C	1.600	W/set	
Power loss: 3C96					
Measuring conditions			Max	Unit	
100 kHz	200 mT	100 °C	1.500	W/set	
400 kHz	50 mT	100 °C	0.580	W/set	
Power loss: 3F36					
Measuring conditions			Max	Unit	

Core **EP20**

Power loss: 3F36

Measuring conditions			Max	Unit
500 kHz	50 mT	100 °C	0.480	W/set
500 kHz	100 mT	100 °C	3.700	W/set

Power loss: 3F46

Measuring conditions			Max	Unit
1000 kHz	50 mT	100 °C	1.400	W/set
3000 kHz	10 mT	100 °C	0.820	W/set

Bsat

Measuring conditions			Material	Min	Unit
25 kHz	250 A/m	100 °C	3C91	320	mT
25 kHz	250 A/m	100 °C	3C96	340	mT
25 kHz	250 A/m	100 °C	3F36	340	mT
25 kHz	250 A/m	100 °C	3F46	330	mT

Accessories

Ordering name	Description	Ordering code
CLA-EP20-Z	Clasp	432202106591
CSH-EP20-1S-10P-T	Coil former, termoset, horizontal	432202103791
CSH-EP20-2S-10P-T	Coil former, termoset, horizontal	432202104231
SPR-EP20-Z	Spring	432202106581