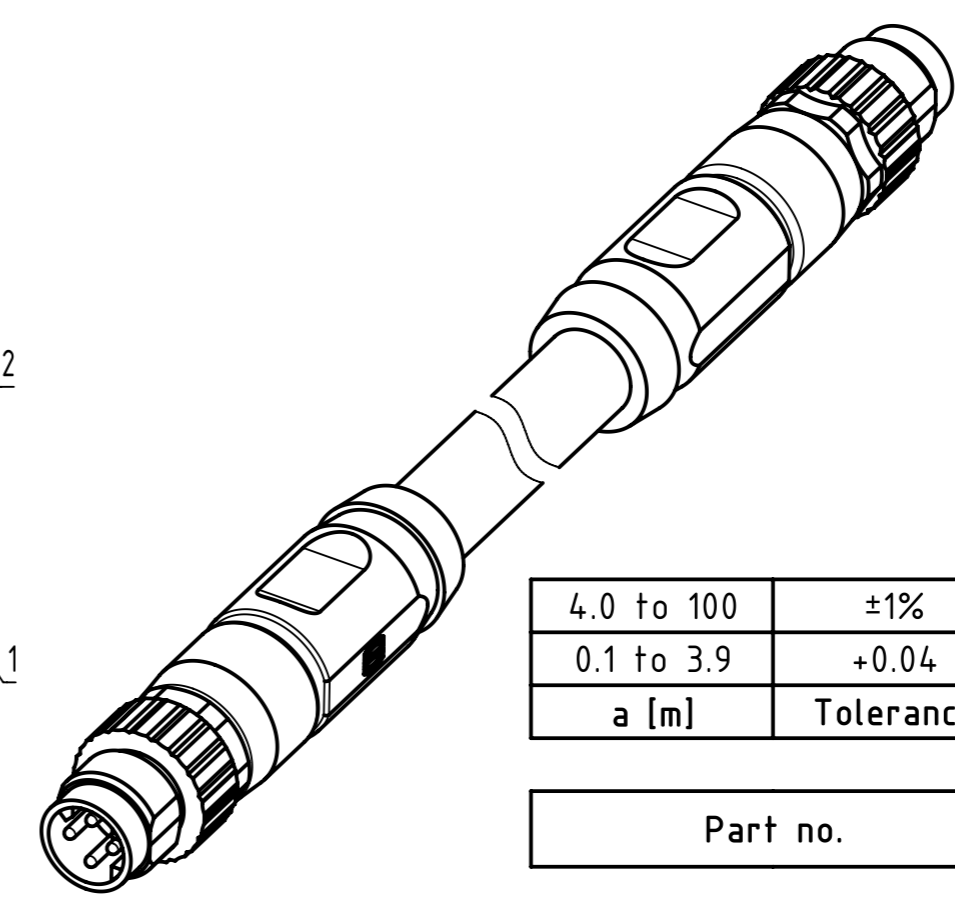
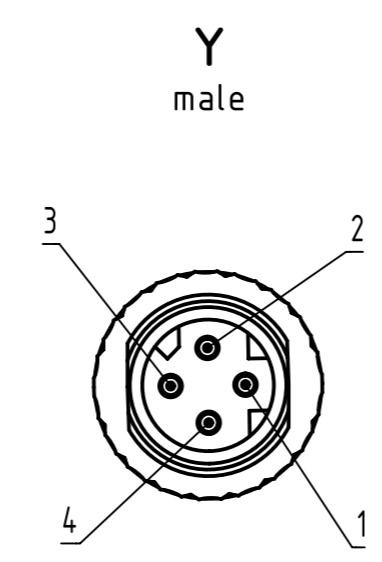
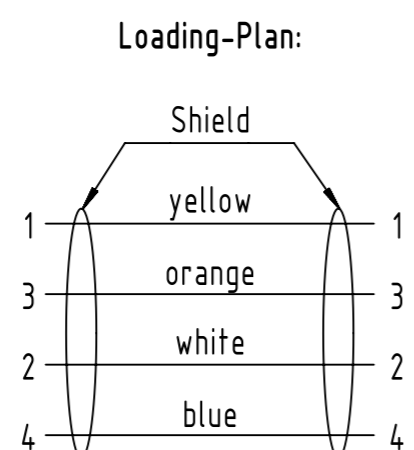
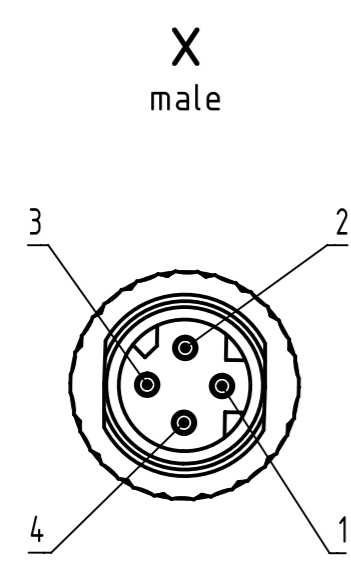
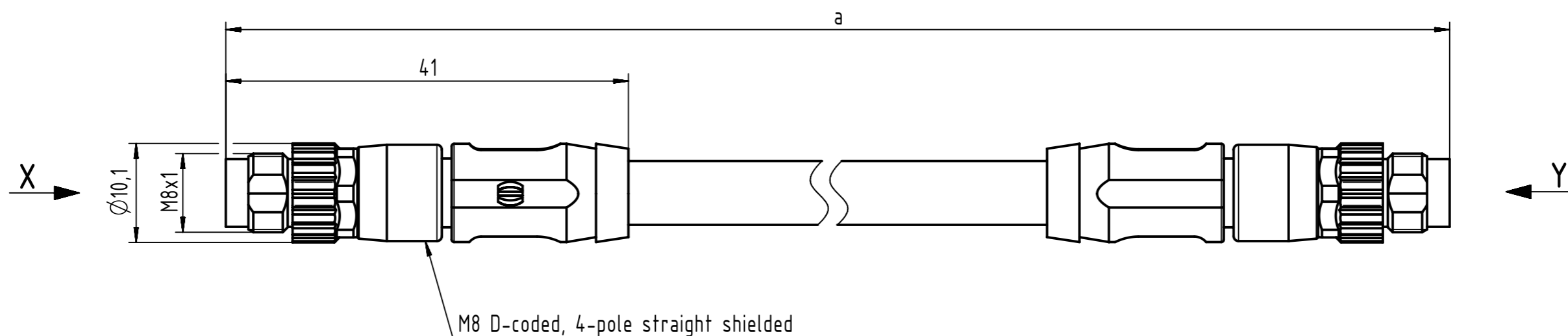


Connector Location A

Connector Location B



- Protection level: IP67  
 - Temperature range: -30°C ... +80°C

length in "1m" step	100	XXX=000
	99	XXX=990
	.	.
	12	XXX=120
	11	XXX=110
length in "0.1m" step	10	XXX=100
	9.9	XXX=099
	9.8	XXX=098
	.	.
	0.4	XXX=004
	0.3	XXX=003
	0.2	XXX=002
0.1	XXX=001	
Step	a [m]	XXX

4.0 to 100	±1%
0.1 to 3.9	+0.04
a [m]	Tolerance

Part no. 2134C7C74XXXXX

Type of cable	XX
PVC, green, 4xAWG22/7	XX=05
PUR, green, 2x2xAWG22/7	XX=77

All rights reserved Department HCS - RO HARTING Customised Solutions D-32339 Espelkamp	All Dimensions in mm Tech. Character. Free size tol. According to production drawing	Created by COSTEA	Inspected by STOCHECIC	Standardisation MUNTEANV	Date 2018-09-28	State Final Release
	Title M8 Cable Assembly D-cod st/st m/m	Type TB	Number 2134C7C74XXXXX	Doc-Key / ECM-Nr. 100705830/UGD/000/B 50000014.0779	Rev. B	Page 1/1