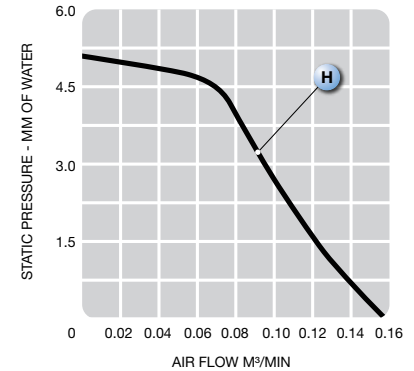
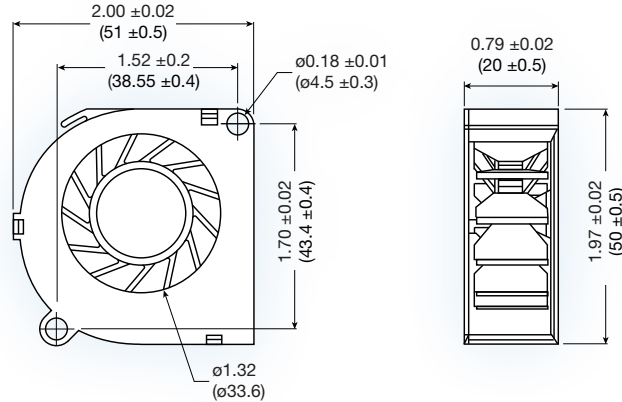


B5020 series



(51 x 50 x 20 mm)

2.00 x 1.97 x 0.79 inches

Features: compact size exhaust blower

Construction: UL94V-0 PBT impeller and frame

Bearing option: 2 ball bearing or fluid dynamic bearing

Connection: lead wires

Protection: thermal

Options: tachometer output or locked rotor alarm signal

Model No.	Rated Voltage V	Current mA			Speed RPM	Air Volume		Max. Static Pressure (H ₂ O)		Sound Noise dB _A	Weight g
		5	12	24		M ³ /Min.	CFM	MM	INCH		
B5020L*	5/12/24	250	120	90	4,000	0.16	6	5.10	0.20	29	22

*This speed not UL recognized