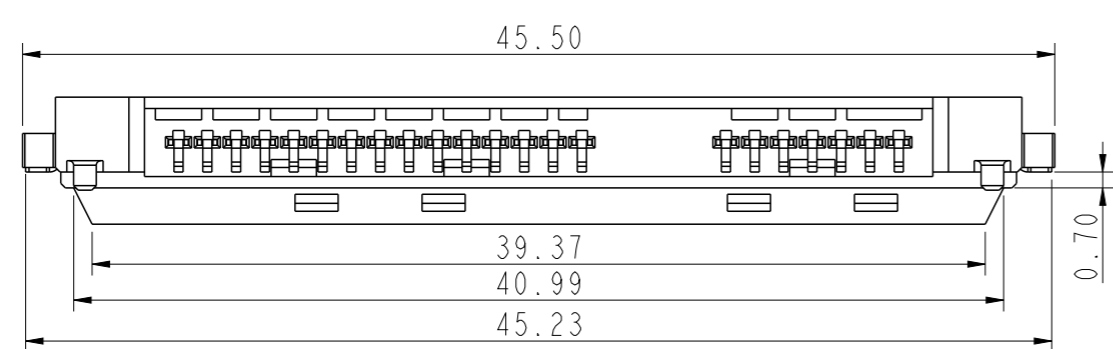
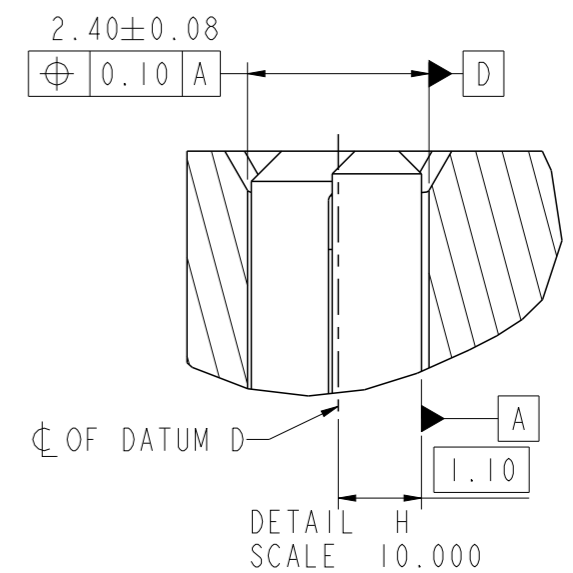
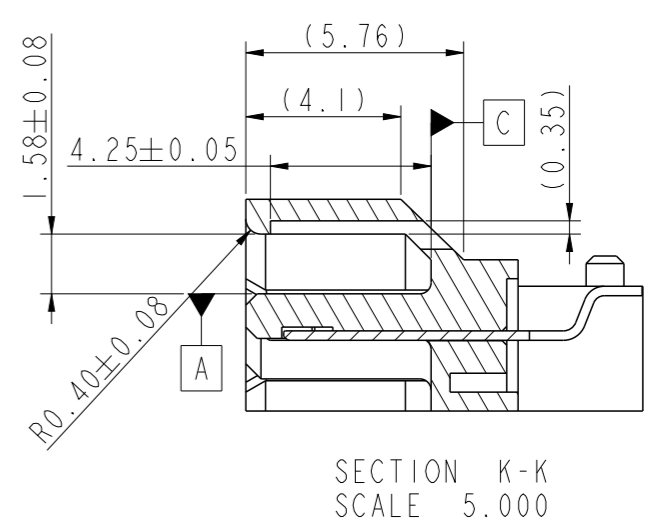
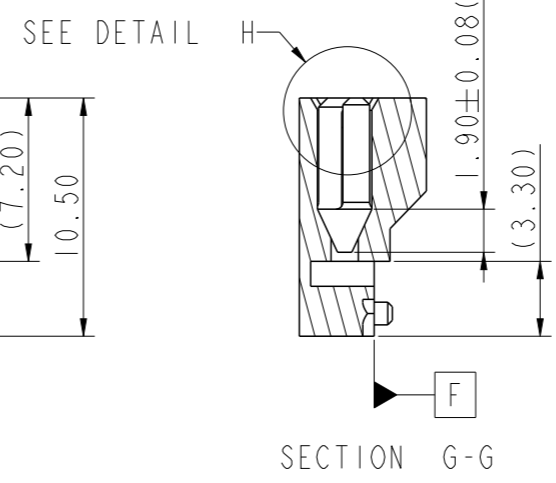
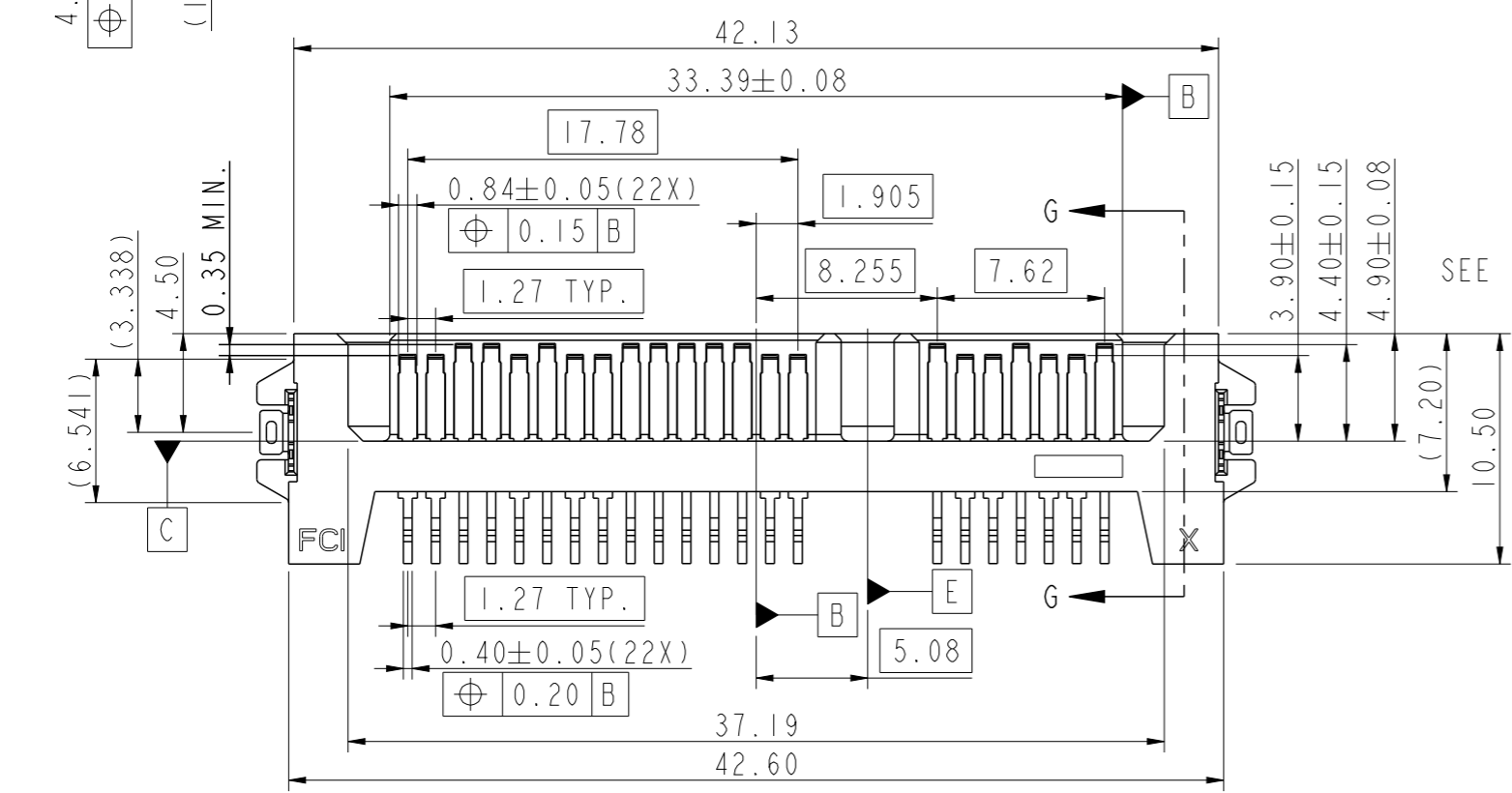
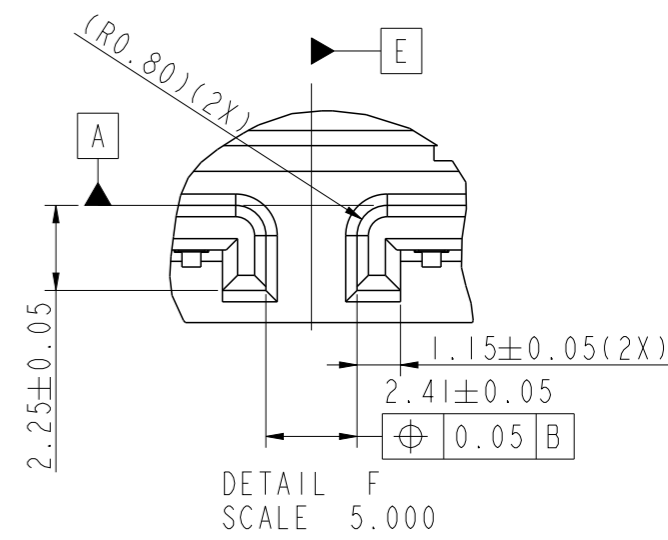
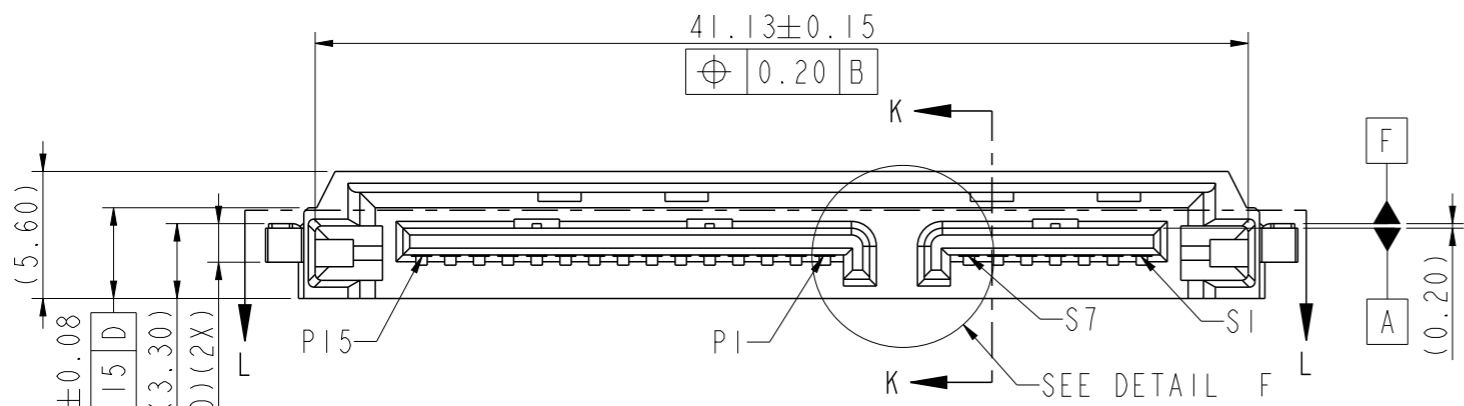


PRODUCT NO.  
10101788-002CLF  
10101788-003C-TRLF



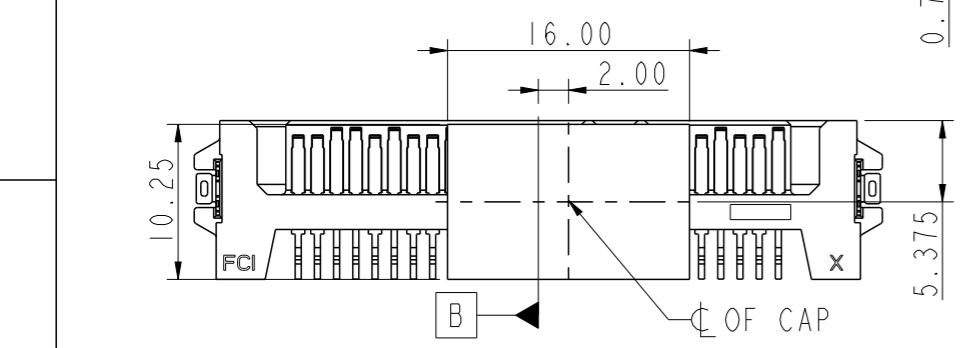
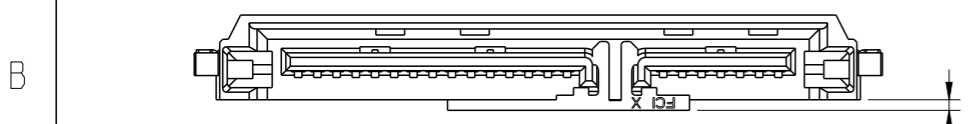
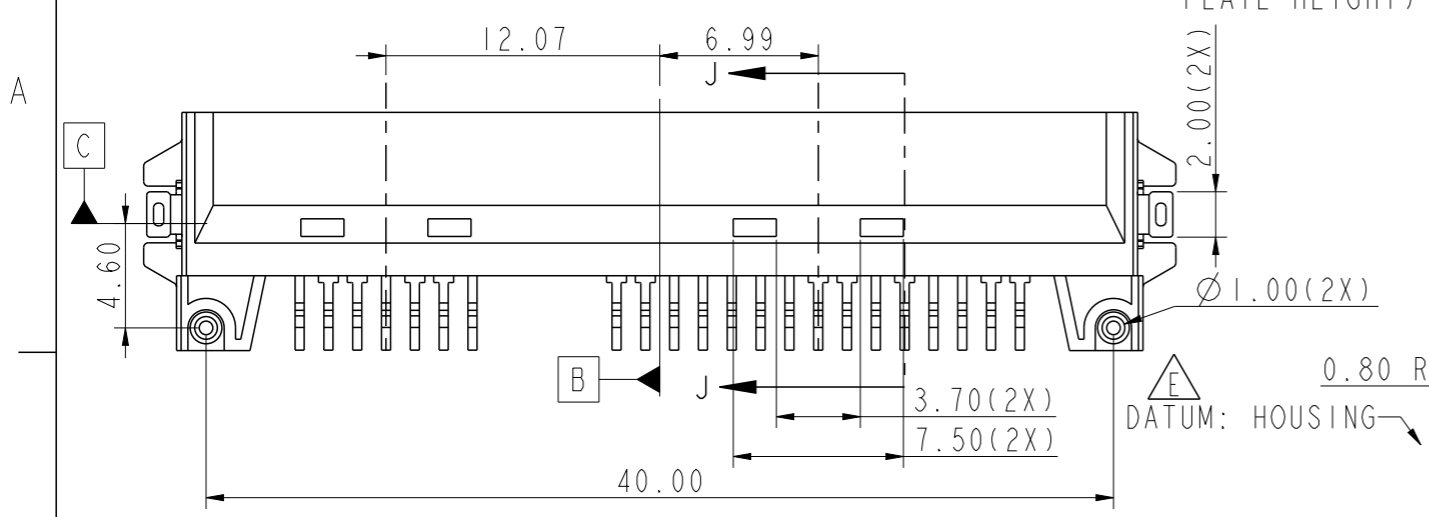
Copyright FCI.

spec ref	dr	Jeffrey Lim	2012/07/23
tolerance std	eng	Jeffrey Lim	2013/05/15
ASME Y14.5	chr	-	-
	appr	Chen-Hong Tan	2013/05/15
surface	linear	0.X	±0.25
		0.XX	±0.15
		0.XXX	±0.050
	angular	0°	±2°

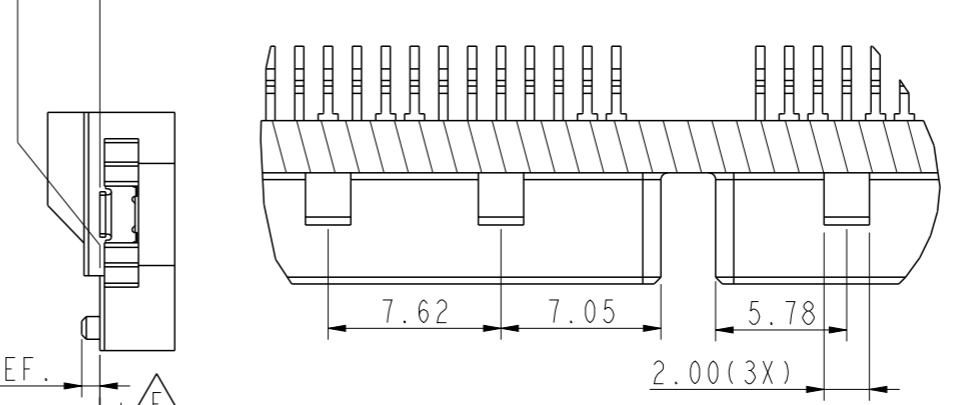
projection	MM	size	A3	scale	3.000
product family	SATA PLUG R/A		ecn no	ELX-S-14760-1	
rel level	TYPE ASSY		rel level	Released	
cat. no.	www.fci.com	dwg no	10101788	rev	E

product family	Product - Customer Drw	sheet 1 of 2
----------------	------------------------	--------------

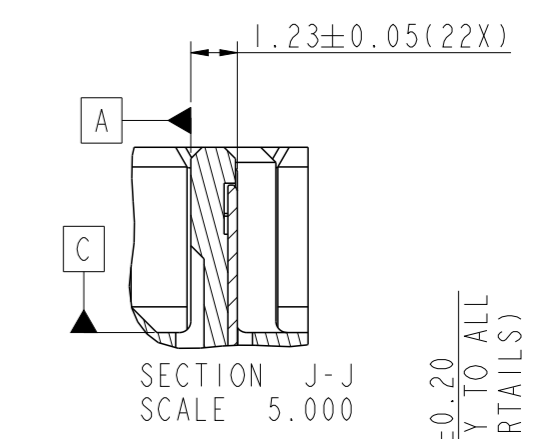
PRODUCT NO.	WITH PICK-UP CAP	PACKAGING
10101788-002CLF	YES	TAPE & REEL
10101788-003C-TRLF		



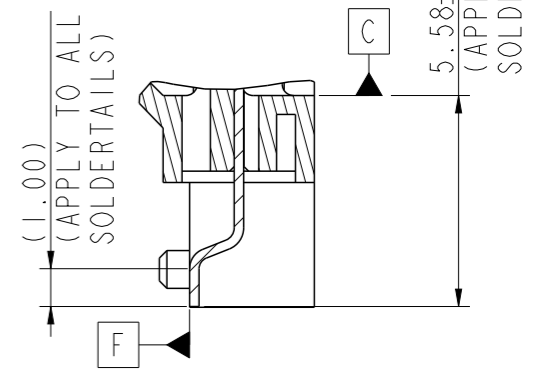
SCALE 2.000  
WITH PICK-UP CAP ATTACHED



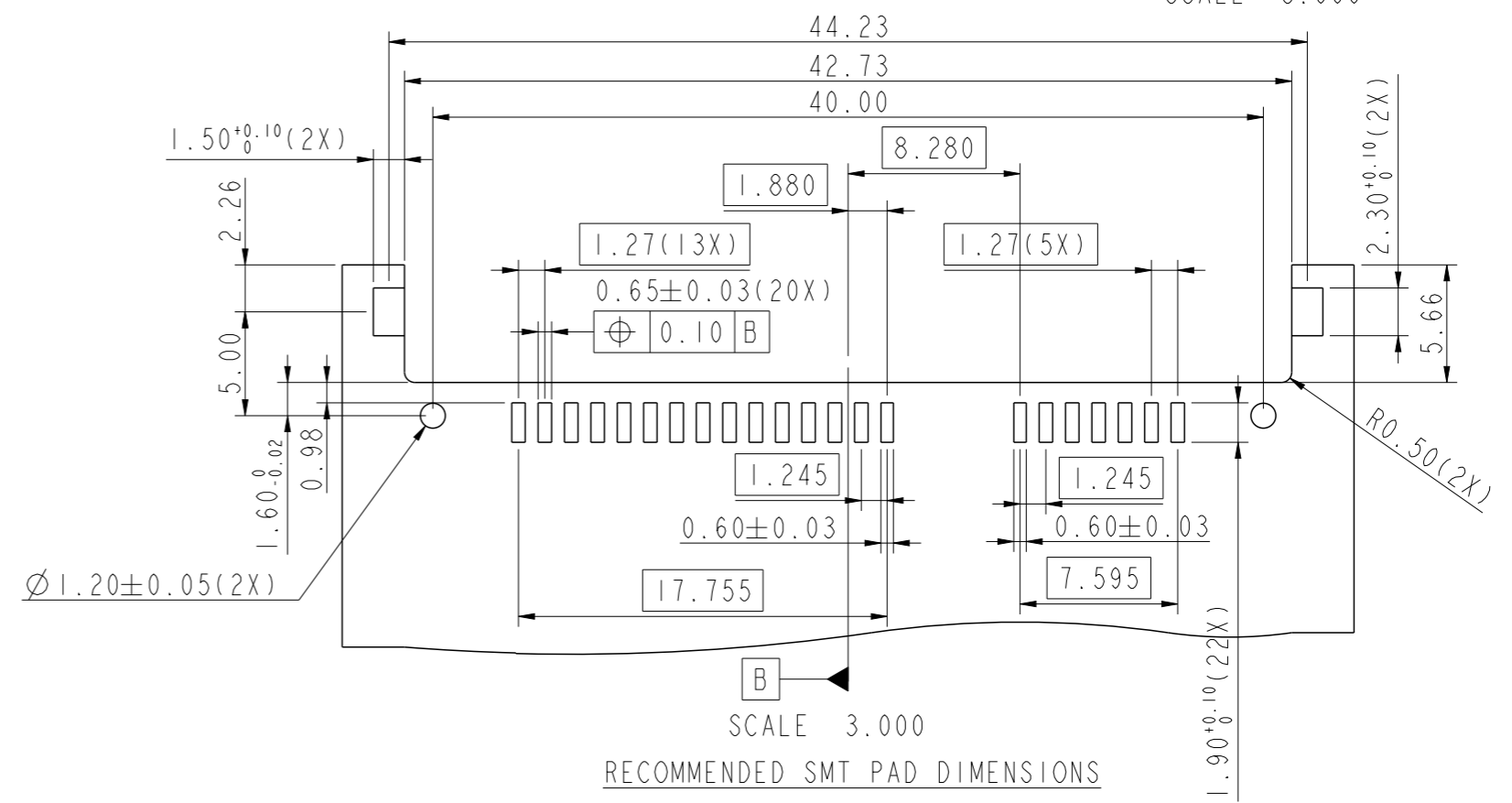
SECTION L-L



SECTION J-J  
SCALE 5.000



SECTION J-J  
SCALE 5.000



SCALE 3.000  
RECOMMENDED SMT PAD DIMENSIONS

- NOTES:
- MATERIAL:  
HOUSING & CAP: HIGH TEMPERATURE THERMOPLASTIC, BLACK, UL94V-0  
CONTACT & HOLD DOWN: COPPER ALLOY
  - FINISH:  
CONTACT: 1.27um MIN. Ni. UNDERPLATE OVERALL,  
1.91um MIN. 100% MATTE Sn(LEAD-FREE) ON SOLDERTAIL,  
0.76um MIN. Au ON CONTACT AREA  
HOLD DOWN: 1.91um MIN. 100% MATTE Sn(LEAD-FREE) OVER  
1.27um MIN. Ni UNDERPLATE OVERALL
  - RECOMMENDED PCB THICKNESS: 1.00mm
  - PRODUCT SPECIFICATION: GS-12-194
  - PACKAGING SPECIFICATION: GS-14-1038
  - THIS PRODUCT MEETS EUROPEAN UNION DIRECTIVES AND OTHER COUNTRY REGULATIONS AS DESCRIBED IN GS-47-0004
  - THE HOUSING WILL WITHSTAND EXPOSURE TO 260°C PEAK TEMPERATURE FOR 10 SECONDS IN A CONVECTION, INFRA-RED OR VAPOR PHASE REFLOW OVEN
  - A SYMBOL  $\triangle$  WILL BE NEXT TO ANY DIMENSION, VIEW, OR NOTE WHICH HAS BEEN MODIFIED WITH THE CURRENT DRAWING REVISION

spec ref	dr	Jeffrey Lim	2012/07/23	projection	MM	size	A3	scale	3.000		
tolerance std	eng	Jeffrey Lim	2013/05/15			ecn no	ELX-S-14760-1	rel level	Released		
ASME Y14.5	chr	-	-								
surface				product family		dwg no	10101788	rev	E		
				linear	0.X					±0.25	SATA PLUG R/A TYPE ASSY
					0.XX					±0.15	
	0.XXX	±0.050									
	angular	0°	±2°	www.fci.com		cat. no.	Product - Customer Drw		sheet 2 of 2		

Copyright FCI.