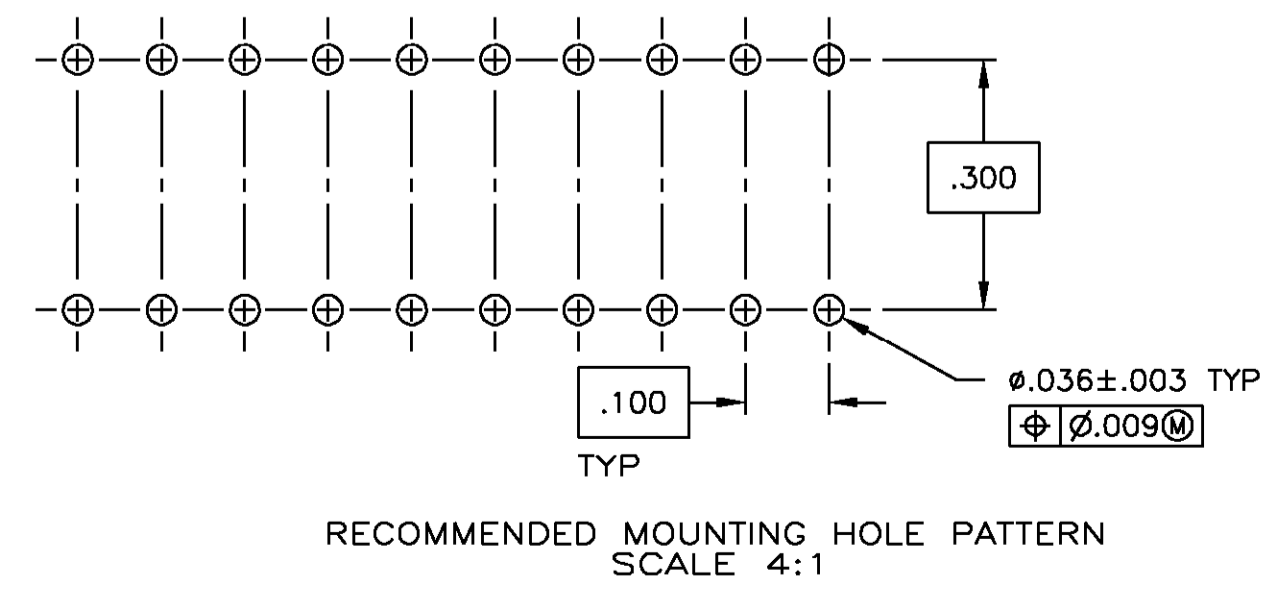
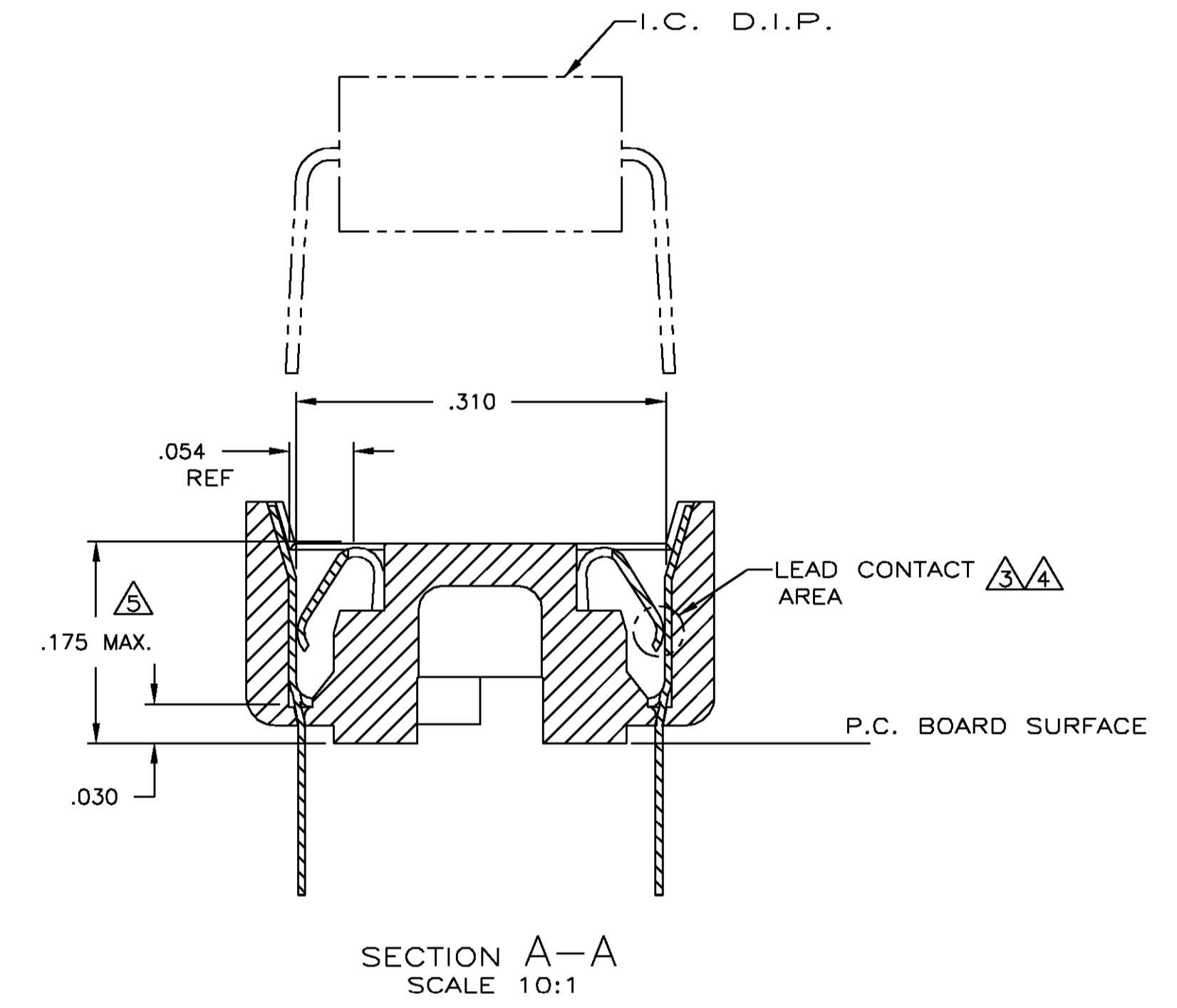
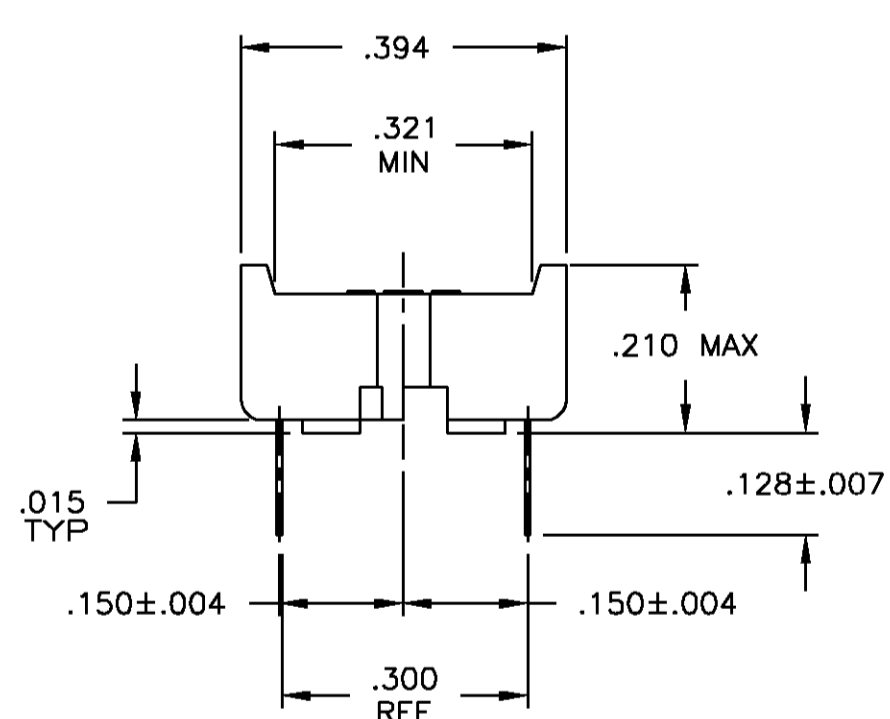
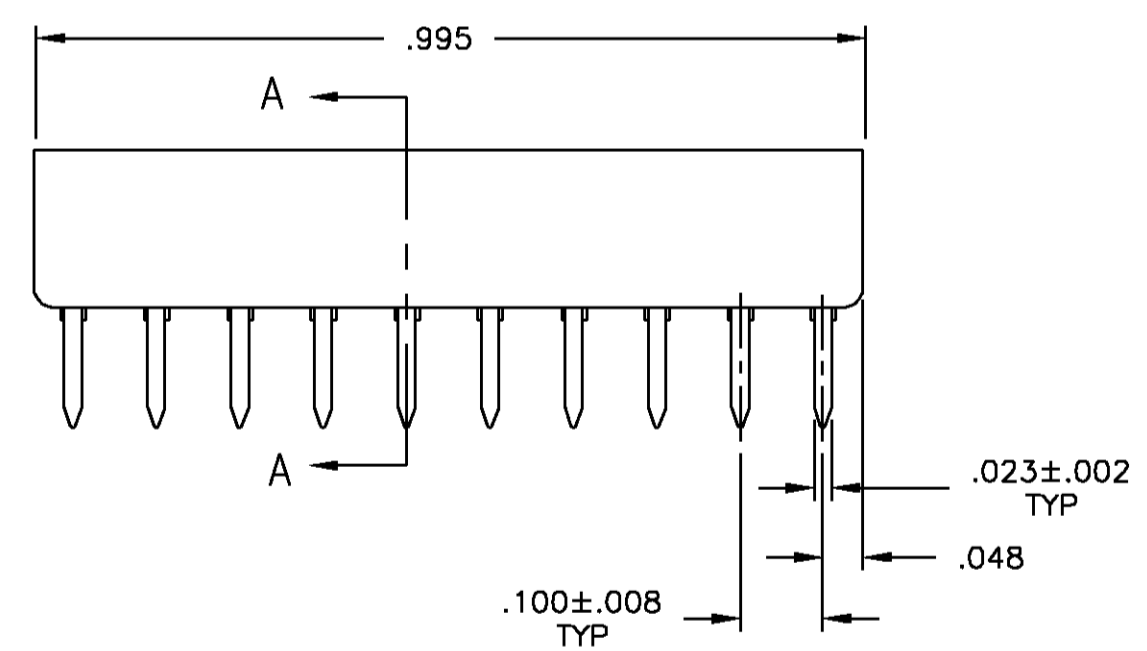
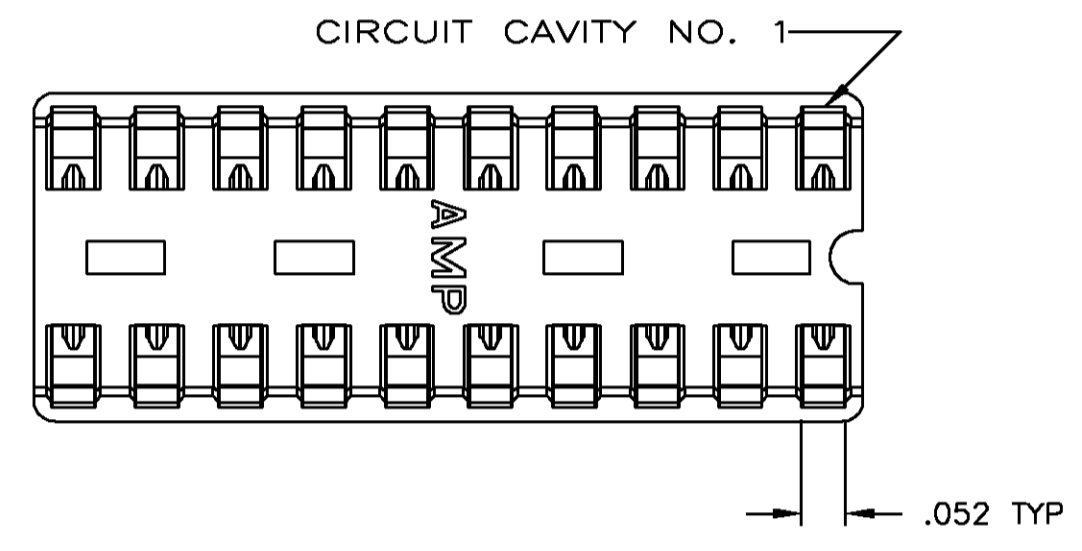


- RECEPTACLE ACCEPTS A .008-.014 THICK I.C. LEAD.
- TUBE LOADED FOR AUTOMATIC INSERTION.
- TWO .000030 MIN THK. GOLD STRIPES IN CONTACT AREA WITH TIN-LEAD (93/7) ON CONTACT LEGS, BALANCE OF CONTACT NICKEL PLATED.
- TWO .000015 MIN THK. GOLD STRIPES IN CONTACT AREA WITH TIN-LEAD (93/7) ON CONTACT LEGS, BALANCE OF CONTACT NICKEL PLATED.
- MAXIMUM DIMENSION FOR I.C. SEATING PLANE.



SUPSD BY 390261-6	△	PHOS.BRZ. .006 THK	GLASS-FILLED THERMOPLASTIC, 94V-0, BLACK	2-640464-4
	TINNED	PHOS.BRZ. .006 THK	GLASS-FILLED THERMOPLASTIC, 94V-0, BLACK	2-640464-3
SUPSD BY 390261-6	△	BE.CU. .006 THK	GLASS-FILLED THERMOPLASTIC, 94V-0, BLACK	2-640464-2
	TINNED	BE.CU. .006 THK	GLASS-FILLED THERMOPLASTIC, 94V-0, BLACK	2-640464-1

CONTACT FINISH	CONTACT MAT'L	HOUSING MATERIAL	PART NO.
THIS DRAWING IS A CONTROLLED DOCUMENT.			
DIMENSIONS: INCHES		TOLERANCES UNLESS OTHERWISE SPECIFIED:	
0 PLC ± -		1 PLC ± -	
1 PLC ± -		2 PLC ± .005	
2 PLC ± -		3 PLC ± -	
3 PLC ± -		4 PLC ± -	
4 PLC ± -		ANGLES ± -	
MATERIAL: SEE TABLE		FINISH: SEE TABLE	
WEIGHT: -		SCALE: 5:1	
CUSTOMER DRAWING		RESTRICTED TO: -	