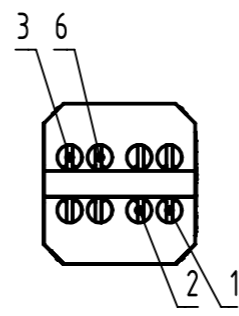
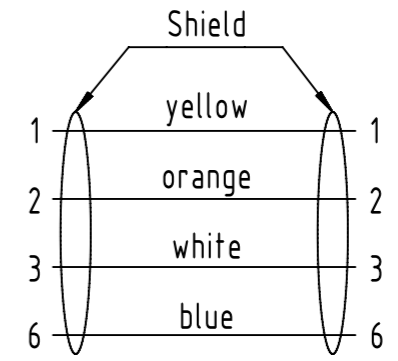
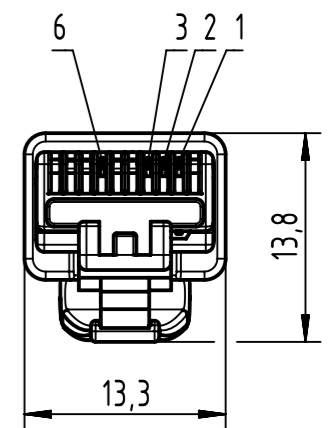


X
(without preLink protection cover)



Y
male



- Protection level: IP20
- Temperature range:
 - Fixed installation: -40°C ... +70°C
 - Dynamic installation: -20°C ... +60°C

NOTE:
 * For lengths < 1.0m:
 - relative positioning of the connectors to each other will be as presented in the drawing, however with an admissible angular deviation around cable axis of ± 30°
 * For lengths ≥ 1.0m:
 - relative positioning of the connectors to each other not obligatory

Cont. no.	Part no.	Type of cable	Dim. a[m]
11	20826311150	RJ45 Ethernet Trailing Cable, 4xAWG 22/7, PUR, Cat. 5+, green	15
10	20826311100		10
9	20826311050		5
8	20826311040		4
7	20826311030		3
6	20826311020		2
5	20826311010		1
4	20826311008		0.8
3	20826311006		0.6
2	20826311004		0.4
1	20826311002		0.2

	All rights reserved	Created by COSTEA Costea	Inspected by 402676 Gross	Standardisation MUNTEANV Muntean	Date 2020-12-16	State Final Release
	Department HCS - RO	Title RJ45/preLink cable PN Cat.5 4p		Doc-Key / ECM-Nr. 100621724/UGD/000/C 500000186321		
HARTING Customised Solutions D-32339 Espelkamp		Type TB	Number 20826311XXX		Rev. C	Page 1/1