

NOTES:

1. MATERIALS:

- CONNECTOR HOUSING: HIGH TEMPERATURE THERMOPLASTIC GLASS FILLED, UL 94V-0
- EMI CAGE: NICKEL SILVER ALLOY
- EMI FINGERS: COPPER ALLOY
- TERMINALS: COPPER ALLOY
- LIGHT PIPES: HALOGEN FREE, CLEAR POLYCARBONATE

2. FINISHES:

- EMI FINGERS: 0.50μM MIN NICKEL
- CONTACT AREA: 0.76μM MIN GOLD OVER 2.54μM MIN NICKEL
- TAIL AREA: 0.76μM-1.52μM TIN OVER 2.54μM MIN NICKEL

3. PRODUCT SPECIFICATION: PS-76866-001

4. PACKAGING SPECIFICATION: PK-76866-002

- CONNECTORS WILL BE IN ONE BOX
- LIGHT PIPE ASSEMBLIES WILL BE IN ONE BOX
- BOTH BOXES WILL BE IN A MASTER CARTON

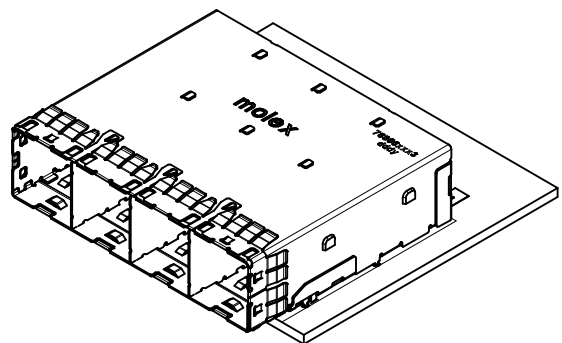
5. MATES WITH: MOLEX CABLE SERIES 111068 & 111073

6. RECOMMENDED MOUNTING HARDWARE: REFER TO APPLICATION SPECIFICATION

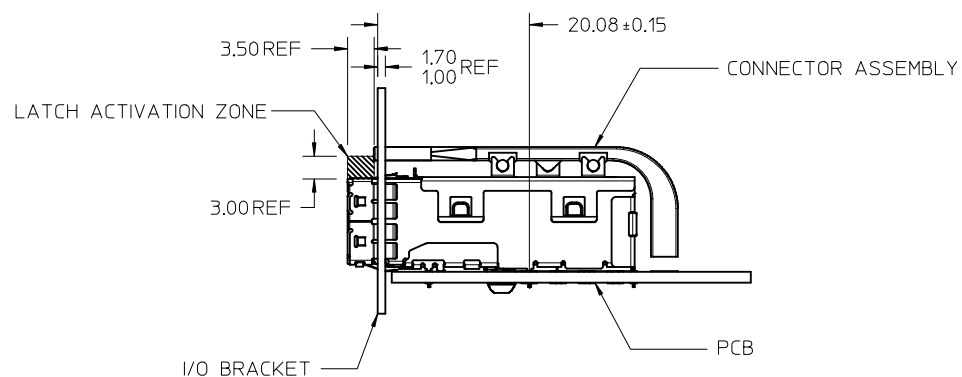
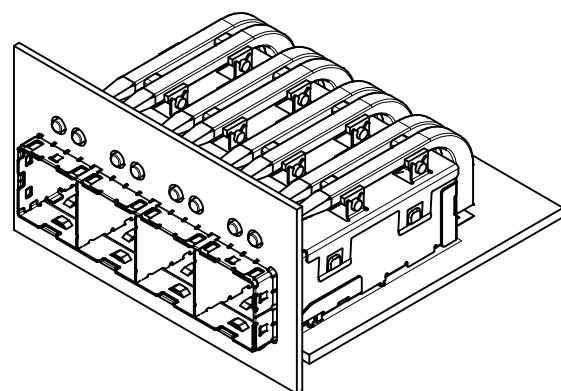
AS-76866-001

7. PLUG MODULE PCB LAYOUT REFER TO SD-76866-9900

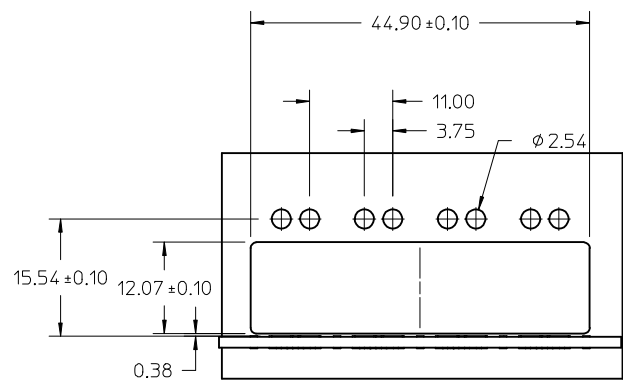
<b>REV'D NOTES</b> EC NO: UCP2015-5060 DRW: KALLASHAN 2015/06/01 CHKD: TMCLELLAND 2015/06/03 APPR: TMCLELL 2015/06/18	QUALITY SYMBOLS	GENERAL TOLERANCES (UNLESS SPECIFIED)		DIMENSION STYLE	SCALE	DESIGN UNITS	THIRD ANGLE PROJECTION
	▽=0	mm	INCH	MM ONLY	2:1	METRIC	
	▽=0	4 PLACES ± ---	± ---	DRAWN BY	DATE	TITLE	
	▽=0	3 PLACES ± ---	± ---	KLANG	2009/05/01	IPASS PLUS HD 1X4 ASSEMBLY LIGHT PIPE	
▽=0	2 PLACES ± 0.13	± ---	CHECKED BY	DATE	molex		
	1 PLACE ± 0.25	± ---	TMCCLELLAND	2013/10/16	DOCUMENT NO.		
	0 PLACE ±	±	APPROVED BY	DATE	SD-76866-023		
			MBANAKIS	2010/01/14	76866-0123		SHEET NO. 1 OF 5
			ANGULAR ±1/2°		76866-0123		
			DRAFT WHERE APPLICABLE MUST REMAIN WITHIN DIMENSIONS		SD-76866-023		
			THIS DRAWING CONTAINS INFORMATION THAT IS PROPRIETARY TO MOLEX INCORPORATED AND SHOULD NOT BE USED WITHOUT WRITTEN PERMISSION				



AS APPLIED TO PCB



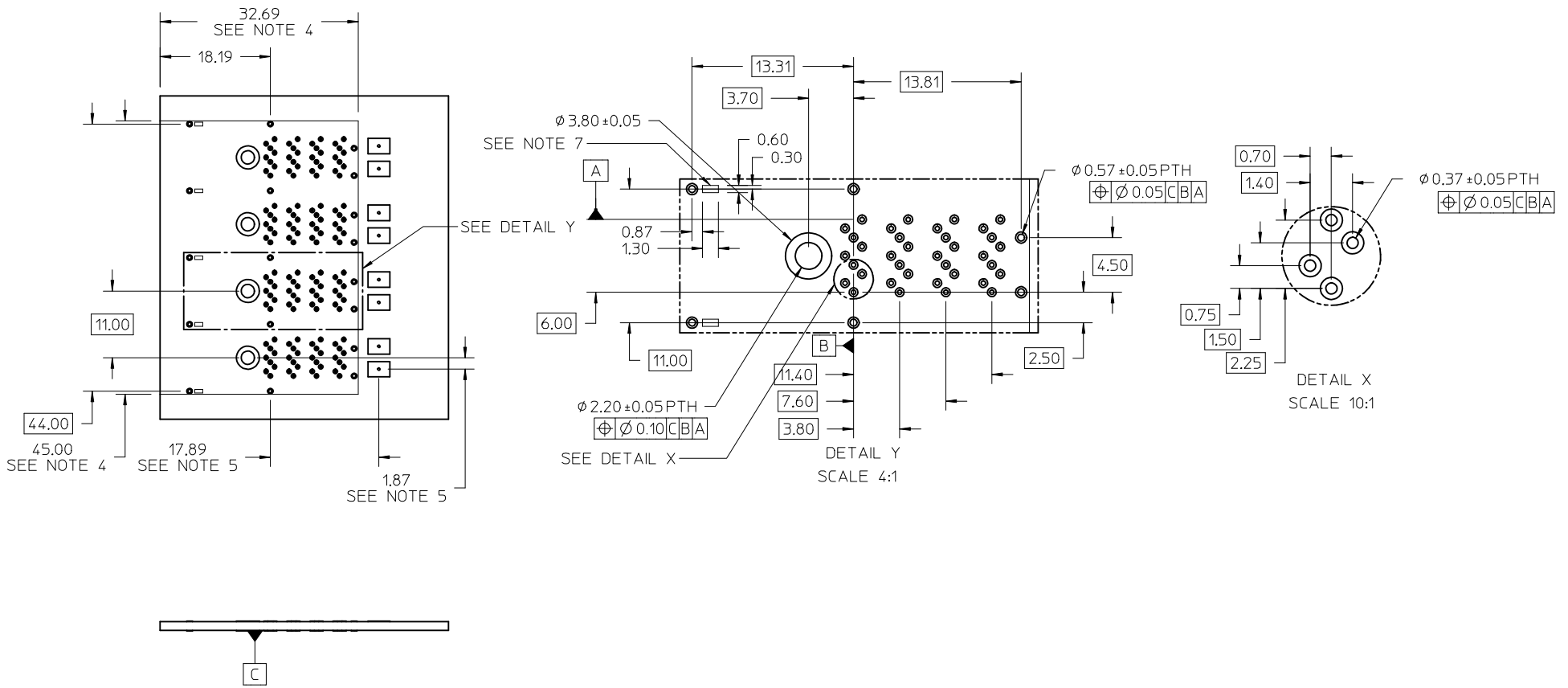
ASSEMBLED VIEW



I/O BRACKET CUT OUT  
(BRACKET NOT SUPPLIED)

SEE SHEET 1 EC NO: UCP2015-5060 DRINKCALLAGHAN 2015/06/01 CHKD:TMCCLELLAND 2015/06/03 APPR:TMCCLELL 2015/06/18	QUALITY SYMBOLS ▽=0 ▽=0 ▽=0	GENERAL TOLERANCES (UNLESS SPECIFIED) <table border="1"> <tr> <th></th> <th>mm</th> <th>INCH</th> </tr> <tr> <td>4 PLACES</td> <td>± ---</td> <td>± ---</td> </tr> <tr> <td>3 PLACES</td> <td>± ---</td> <td>± ---</td> </tr> <tr> <td>2 PLACES</td> <td>± 0.13</td> <td>± ---</td> </tr> <tr> <td>1 PLACE</td> <td>± 0.25</td> <td>± ---</td> </tr> <tr> <td>0 PLACE</td> <td>±</td> <td>±</td> </tr> </table>		mm	INCH	4 PLACES	± ---	± ---	3 PLACES	± ---	± ---	2 PLACES	± 0.13	± ---	1 PLACE	± 0.25	± ---	0 PLACE	±	±	DIMENSION STYLE <b>MM ONLY</b> DRAWN BY DATE KLANG 2009/05/01 CHECKED BY DATE TMCCLELLAND 2013/10/16 APPROVED BY DATE MBANAKIS 2010/01/14	SCALE <b>2:1</b> DESIGN UNITS <b>METRIC</b> THIRD ANGLE PROJECTION	TITLE <b>IPASS PLUS HD 1X4 ASSEMBLY LIGHT PIPE</b> <b>molex</b> DOCUMENT NO. <b>SD-76866-023</b>	SHEET NO. <b>2 OF 5</b>
		mm	INCH																					
	4 PLACES	± ---	± ---																					
	3 PLACES	± ---	± ---																					
2 PLACES	± 0.13	± ---																						
1 PLACE	± 0.25	± ---																						
0 PLACE	±	±																						
D6	DESCRIPTION DRAFT WHERE APPLICABLE MUST REMAIN WITHIN DIMENSIONS	ANGULAR ±1/2°	MATERIAL NO. <b>SEE SHEET 1</b>	THIS DRAWING CONTAINS INFORMATION THAT IS PROPRIETARY TO MOLEX INCORPORATED AND SHOULD NOT BE USED WITHOUT WRITTEN PERMISSION																				
			SIZE C																					

# RECOMMENDED FOOTPRINT



**NOTES:**

1. RECOMMENDED DRILL SIZE AND ANNULAR RING FOR 0.37 $\phi$  FINISHED PTH - REFER TO APPLICATION SPECIFICATION AS-76866-001
2. MINIMUM RECOMMENDED SPACING: 47.00MM
3. MINIMUM PCB THICKNESS: 1.57MM
4. CONNECTOR KEEPOUT AREA
5. LOCATION OF LED CENTER LINE
6. RECOMMENDED DRILL SIZE AND ANNULAR RING FOR 0.57 $\phi$  FINISHED PTH - REFER TO APPLICATION SPECIFICATION AS-76866-001
7. CAGE STAND OFF AREA, NO TRACES ON SURFACE OF PCB IN THESE AREAS

SEE SHEET 1 EC NO: UCP2015-5060 DRINKKALLAGHAN 2015/06/01 CHKD:MCLELLAND 2015/06/03 APPR:MCLELL 2015/06/18	QUALITY SYMBOLS ▽=0 ▽=0 ▽=0	GENERAL TOLERANCES (UNLESS SPECIFIED)		DIMENSION STYLE <b>MM ONLY</b>	SCALE <b>2:1</b>	DESIGN UNITS <b>METRIC</b>	THIRD ANGLE PROJECTION	
				DRAWN BY KLANG	DATE 2009/05/01	TITLE <b>IPASS PLUS HD 1X4 ASSEMBLY LIGHT PIPE</b> <b>molex</b>		
				CHECKED BY TMCCLELLAND	DATE 2013/10/16			
				APPROVED BY MBANAKIS		DATE 2010/01/14	MATERIAL NO.	DOCUMENT NO. <b>SD-76866-023</b>

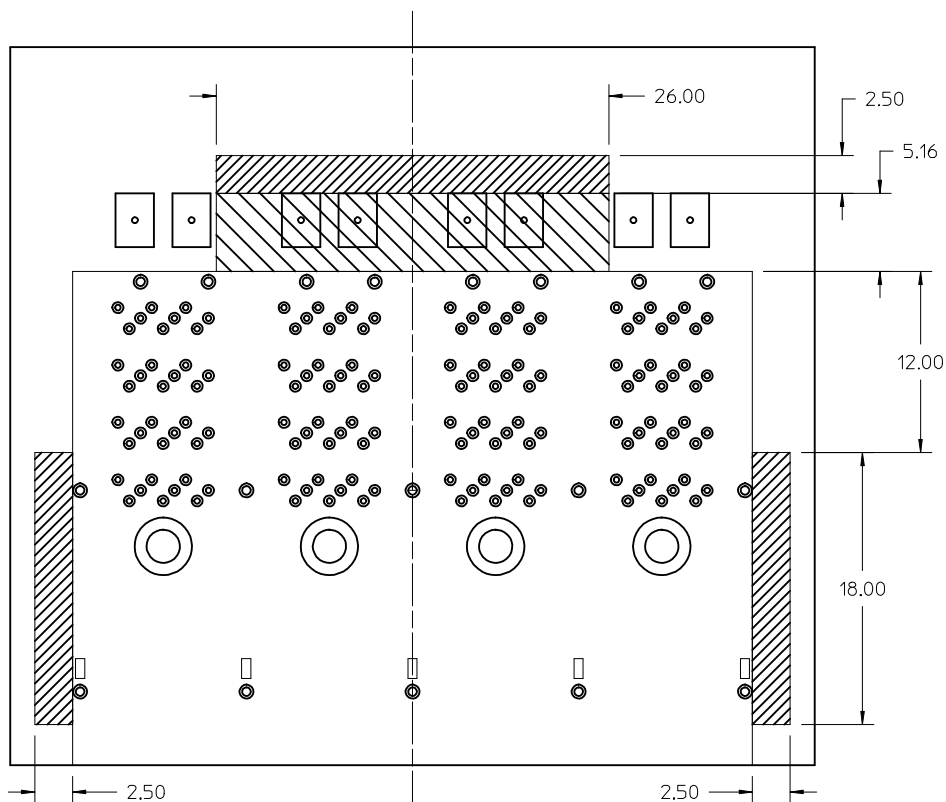
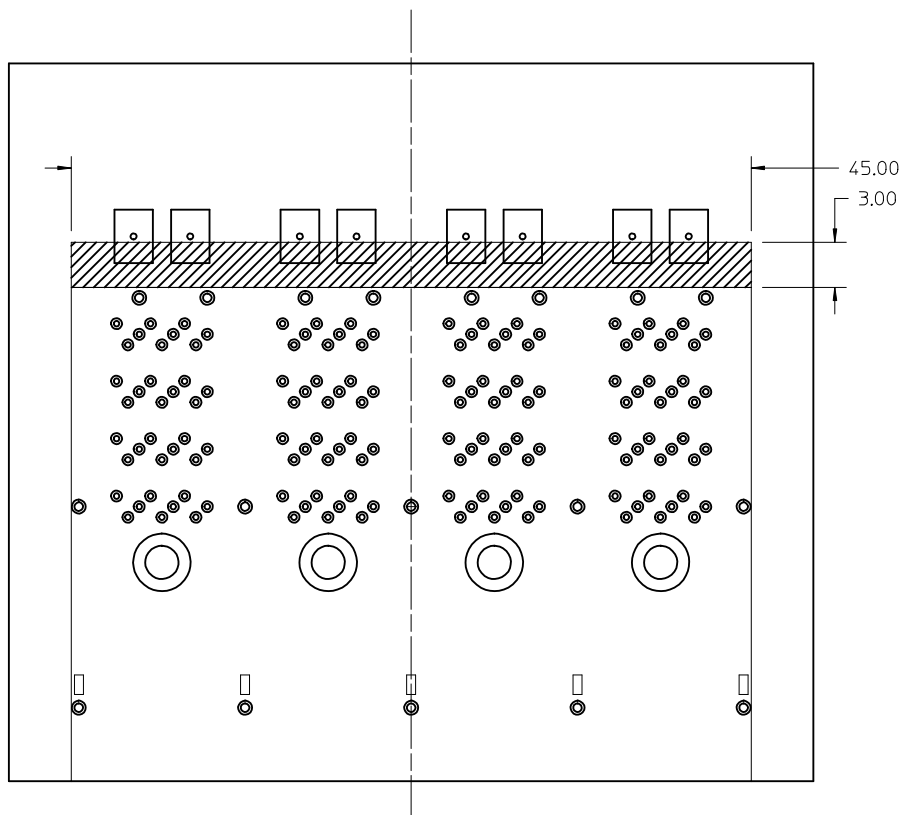
ANGULAR  $\pm 1/2^\circ$   
 DRAFT WHERE APPLICABLE MUST REMAIN WITHIN DIMENSIONS  
 SEE SHEET 1  
 THIS DRAWING CONTAINS INFORMATION THAT IS PROPRIETARY TO MOLEX INCORPORATED AND SHOULD NOT BE USED WITHOUT WRITTEN PERMISSION

# RECOMMENDED TOOLING KEEP OUT AREAS

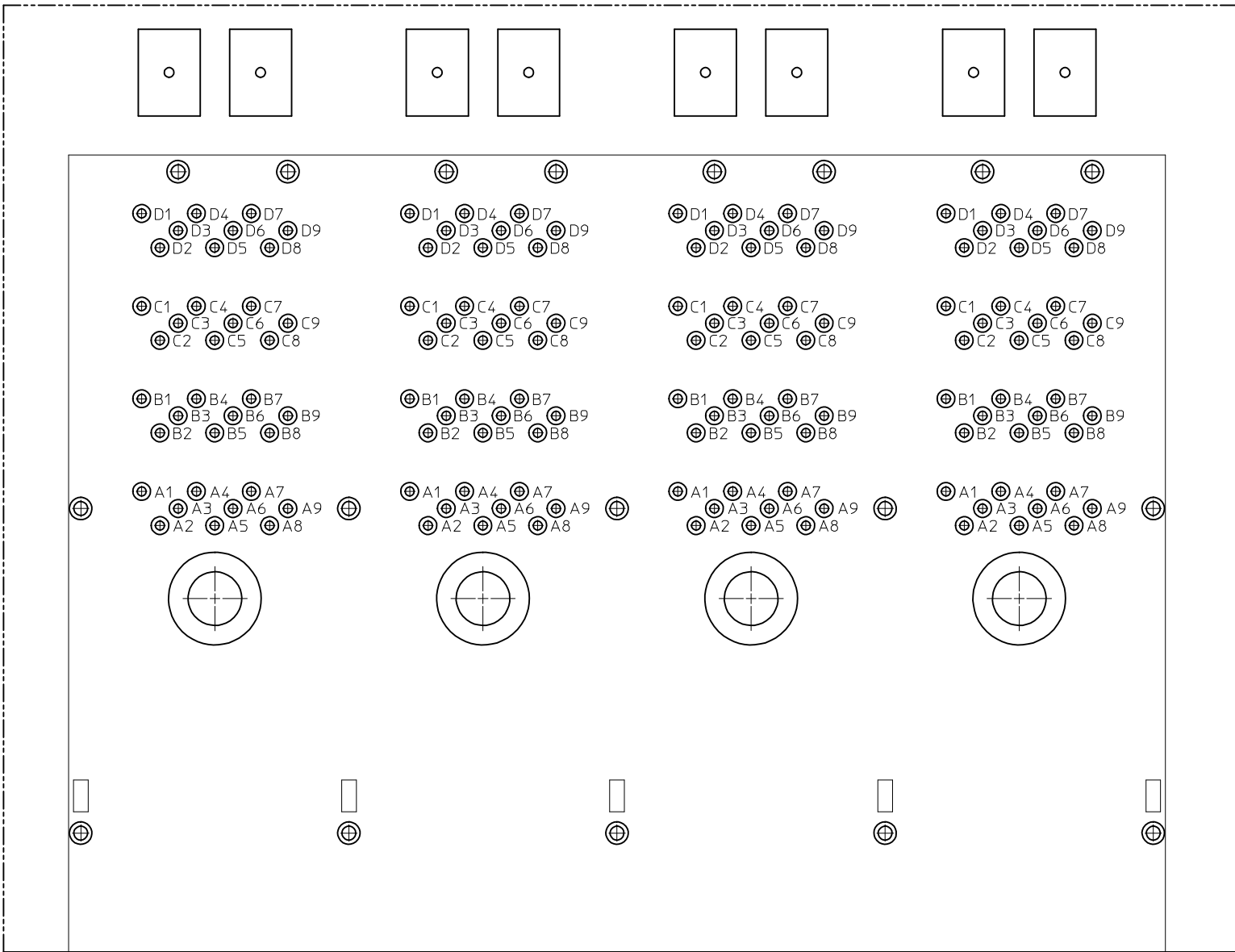
RECOMMENDED INSERTION TOOL  
KEEP OUT AREA  
NO COMPONENTS IN THIS AREA  
MORE THAN 7.50 mm TALL



RECOMMENDED EXTRACTION TOOL  
KEEP OUT AREA  
NO COMPONENTS IN THESE AREAS  
NO COMPONENTS IN THIS AREA  
MORE THAN 5.00 mm TALL



SEE SHEET 1 EC NO: UCP2015-5060 DRWNKCALLAGHAN 2015/06/01 CHKD:TMCCLELLAND 2015/06/03 APPR:TMCCLELL 2015/06/18	DESCRIPTION REV1	QUALITY SYMBOLS	GENERAL TOLERANCES (UNLESS SPECIFIED)	DIMENSION STYLE MM ONLY	SCALE 4:1	DESIGN UNITS METRIC	THIRD ANGLE PROJECTION
		▽=0	mm INCH	DRAWN BY DATE KLANG 2009/05/01	TITLE IPASS PLUS HD 1X4 ASSEMBLY LIGHT PIPE		
		▽=0	4 PLACES ± --- ± ---	CHECKED BY DATE TMCCLELLAND 2013/10/16	molex		
		▽=0	3 PLACES ± --- ± ---	APPROVED BY DATE MBANAKIS 2010/01/14			
		2 PLACES ± 0.13 ± ---	ANGULAR ±1/2°	MATERIAL NO.	DOCUMENT NO.	SHEET NO.	
		1 PLACE ± 0.25 ± ---	DRAFT WHERE APPLICABLE MUST REMAIN WITHIN DIMENSIONS	SEE SHEET 1	SD-76866-023	4 OF 5	
		0 PLACE ± ±		SIZE C	THIS DRAWING CONTAINS INFORMATION THAT IS PROPRIETARY TO MOLEX INCORPORATED AND SHOULD NOT BE USED WITHOUT WRITTEN PERMISSION		



Partial1  
SCALE 8:1

### CIRCUIT IDENTIFICATION

SEE SHEET 1 EEC NO: UCP2015-5060 DRWNK:CALLAGHAN 2015/06/01 CHKD:TMCCLELLAND 2015/06/03 APPR:TMCCLELL 2015/06/18	QUALITY SYMBOLS	GENERAL TOLERANCES (UNLESS SPECIFIED)	DIMENSION STYLE	SCALE	DESIGN UNITS	THIRD ANGLE PROJECTION																	
	▽=0 ▽=0 ▽=0	<table border="1"> <tr> <th></th> <th>mm</th> <th>INCH</th> </tr> <tr> <td>4 PLACES</td> <td>± ---</td> <td>± ---</td> </tr> <tr> <td>3 PLACES</td> <td>± ---</td> <td>± ---</td> </tr> <tr> <td>2 PLACES</td> <td>± 0.13</td> <td>± ---</td> </tr> <tr> <td>1 PLACE</td> <td>± 0.25</td> <td>± ---</td> </tr> <tr> <td>0 PLACE</td> <td>±</td> <td>±</td> </tr> </table>		mm	INCH		4 PLACES	± ---	± ---	3 PLACES	± ---	± ---	2 PLACES	± 0.13	± ---	1 PLACE	± 0.25	± ---	0 PLACE	±	±	MM ONLY	8:1
		mm	INCH																				
	4 PLACES	± ---	± ---																				
3 PLACES	± ---	± ---																					
2 PLACES	± 0.13	± ---																					
1 PLACE	± 0.25	± ---																					
0 PLACE	±	±																					
DESCRIPTION	DRAWN BY KLANG DATE 2009/05/01	TITLE	IPASS PLUS HD 1X4 ASSEMBLY LIGHT PIPE																				
REV	CHECKED BY TMCCLELLAND DATE 2013/10/16	APPROVED BY MBANAK I S DATE 2010/01/14	DOCUMENT NO. <b>SD-76866-023</b>			SHEET NO. 5 OF 5																	

ANGULAR ±1/2°  
 DRAFT WHERE APPLICABLE MUST REMAIN WITHIN DIMENSIONS  
 SEE SHEET 1  
 THIS DRAWING CONTAINS INFORMATION THAT IS PROPRIETARY TO MOLEX INCORPORATED AND SHOULD NOT BE USED WITHOUT WRITTEN PERMISSION