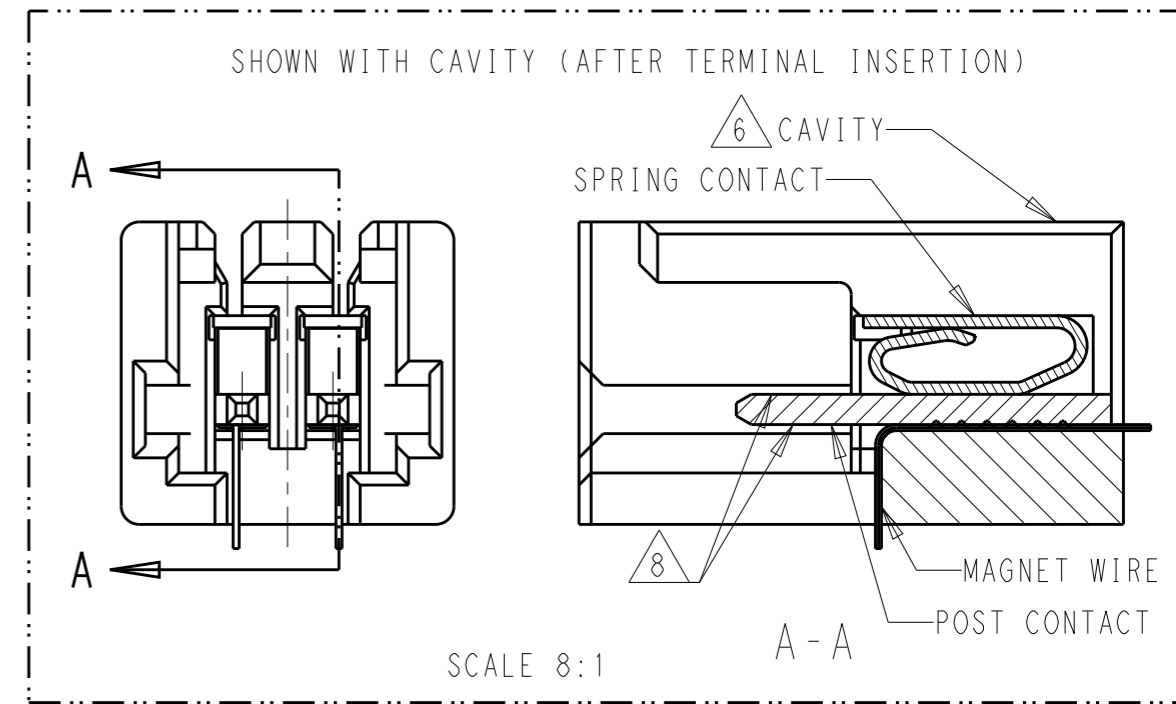
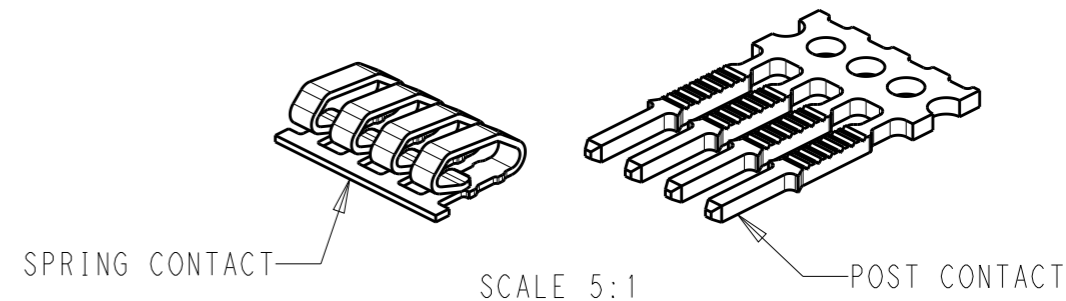
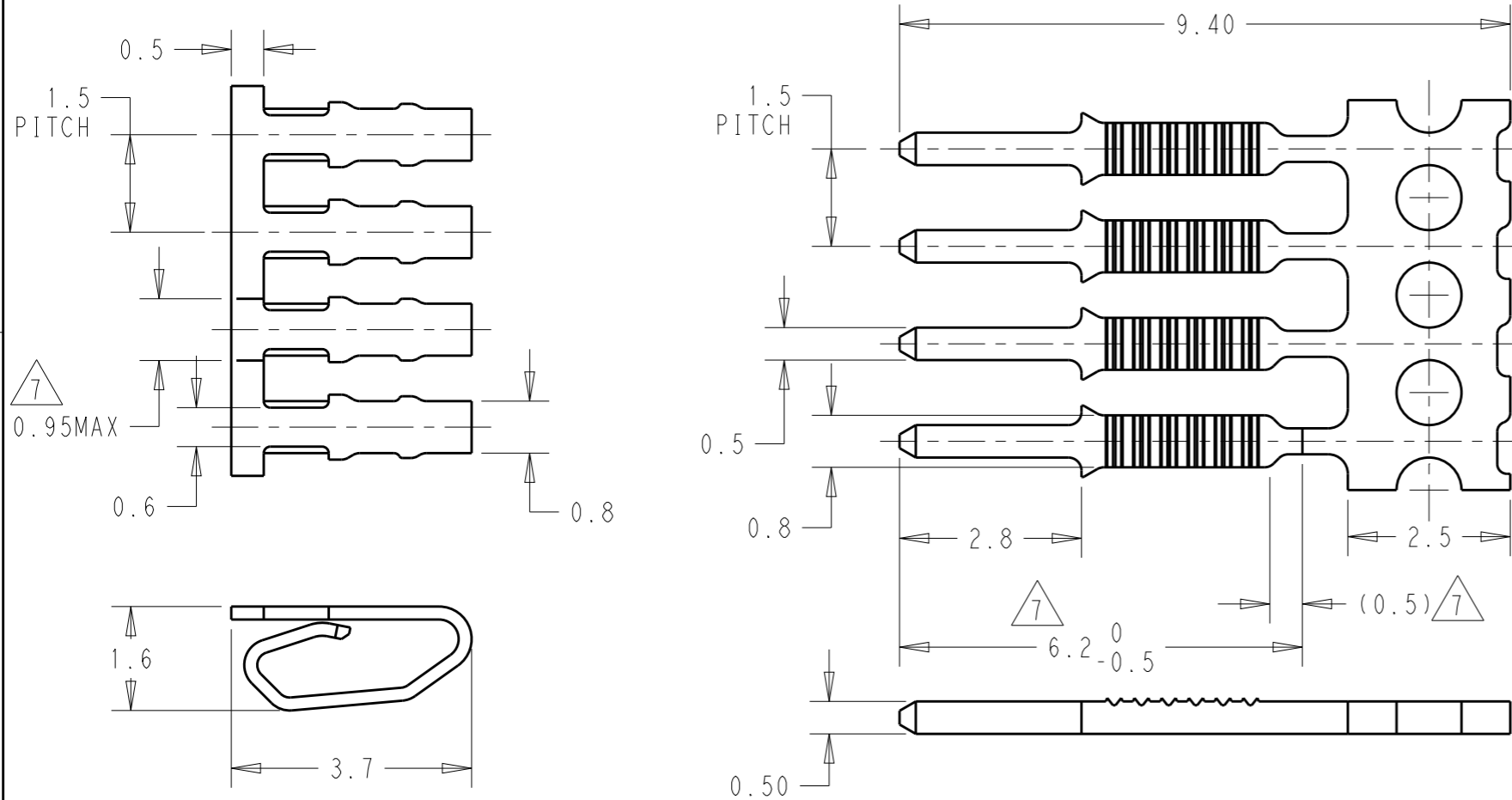


P	LTR	DESCRIPTION	DATE	DWN	APVD
	A2	REVISED PER ECR-20-012731	28JUL2020	KS	TD



1. CONTINUOUS STRIP ON REELS WITH TERMINALS LOCATED ON 1.50±0.05 CENTERS.

(2) WIRE RANGE:
 Ø0.08-Ø0.25 COPPER MAGNET WIRE FOR SINGLE WIRE
 Ø0.08-Ø0.15 COPPER MAGNET WIRE FOR DOUBLE WIRE

(3) WIRE RANGE:
 Ø0.25 COPPER MAGNET WIRE FOR DOUBLE WIRE

4. PARTS WILL BE SUPPLIED IN ONE SHIPPING BOX AS EXPLAINED BELOW.
 POST CONTACT (20,000PCS/REEL) + SPRING CONTACT (20,000PCS/REEL)

(5) NET WEIGHT
 POST CONTACT: 0.036g
 SPRING CONTACT: 0.013g

(6) APPLICATION SPECIFICATION: 114-78037

(7) APPLICATOR CUT-OFF DIMENSION

(8) SCRATCH MARK IN TERMINAL INSERTION PROCESS IS ACCEPTABLE.

(3)	POST CONTACT: TIN PLATE	POST CONTACT: BRASS	2366999-2
(2)	SPRING CONTACT: NONE	SPRING CONTACT: STAINLESS STEEL	2366999-1
WIRE RANGE	FINISH	MATERIAL	PART NO.

THIS DRAWING IS A CONTROLLED DOCUMENT.		DWN KEN SAKAI 04JUN2020				
DIMENSIONS: mm		CHK JUSTIN HUANG 04JUN2020				
TOLERANCES UNLESS OTHERWISE SPECIFIED: ±0.3		APVD TIM DING 04JUN2020	NAME NANO MAG-MATE TERMINALS			
0 PLC ± 1 PLC ± 2 PLC ± 3 PLC ± 4 PLC ± ANGLES ±3°		PRODUCT SPEC 108-140191	SIZE A3	CAGE CODE 00779	DRAWING NO C-2366999	RESTRICTED TO -
MATERIAL SEE TABLE	FINISH SEE TABLE	WEIGHT (5)	SCALE 10:1		SHEET 1 OF 1	REV A2
		CUSTOMER DRAWING				