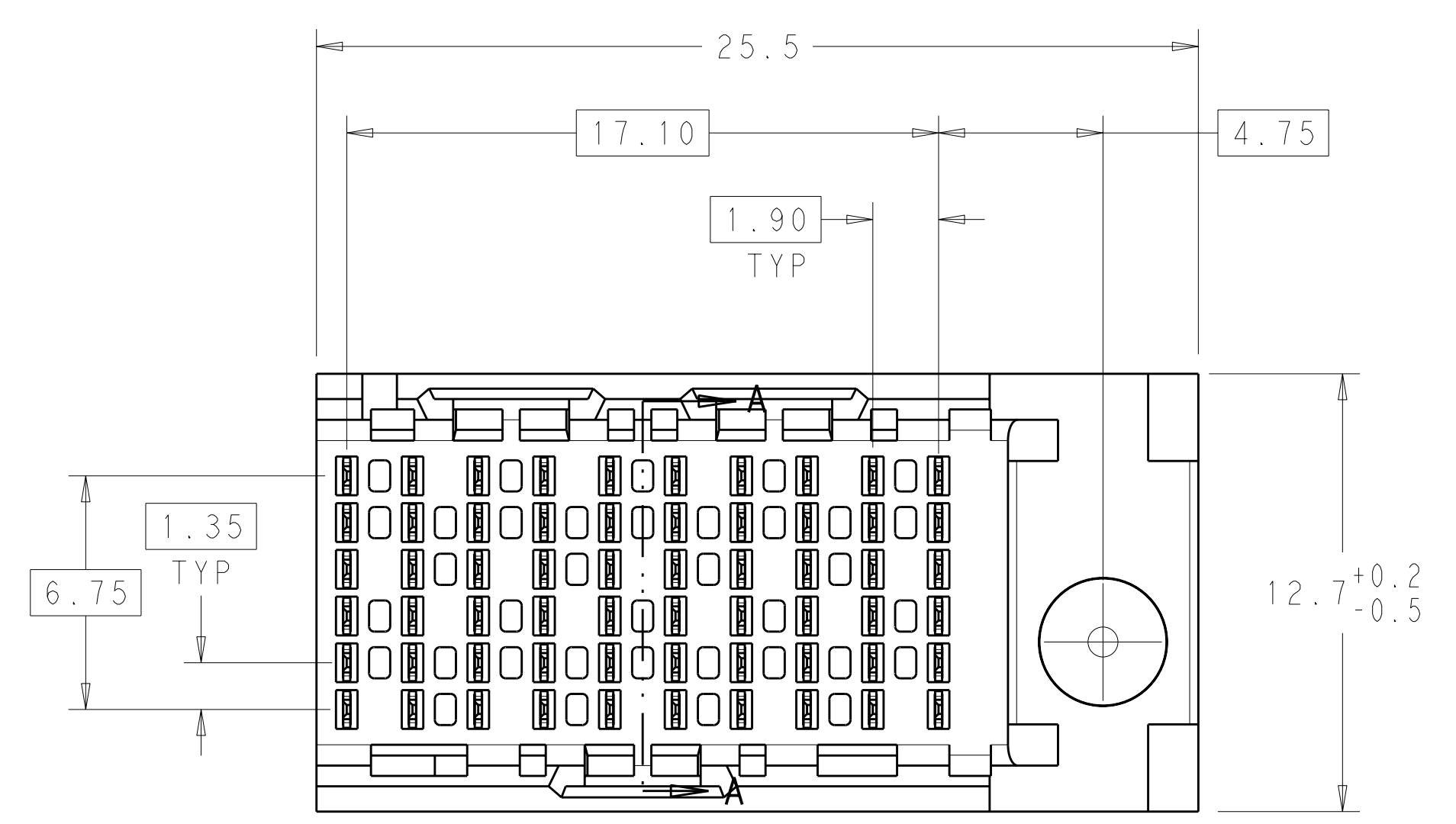
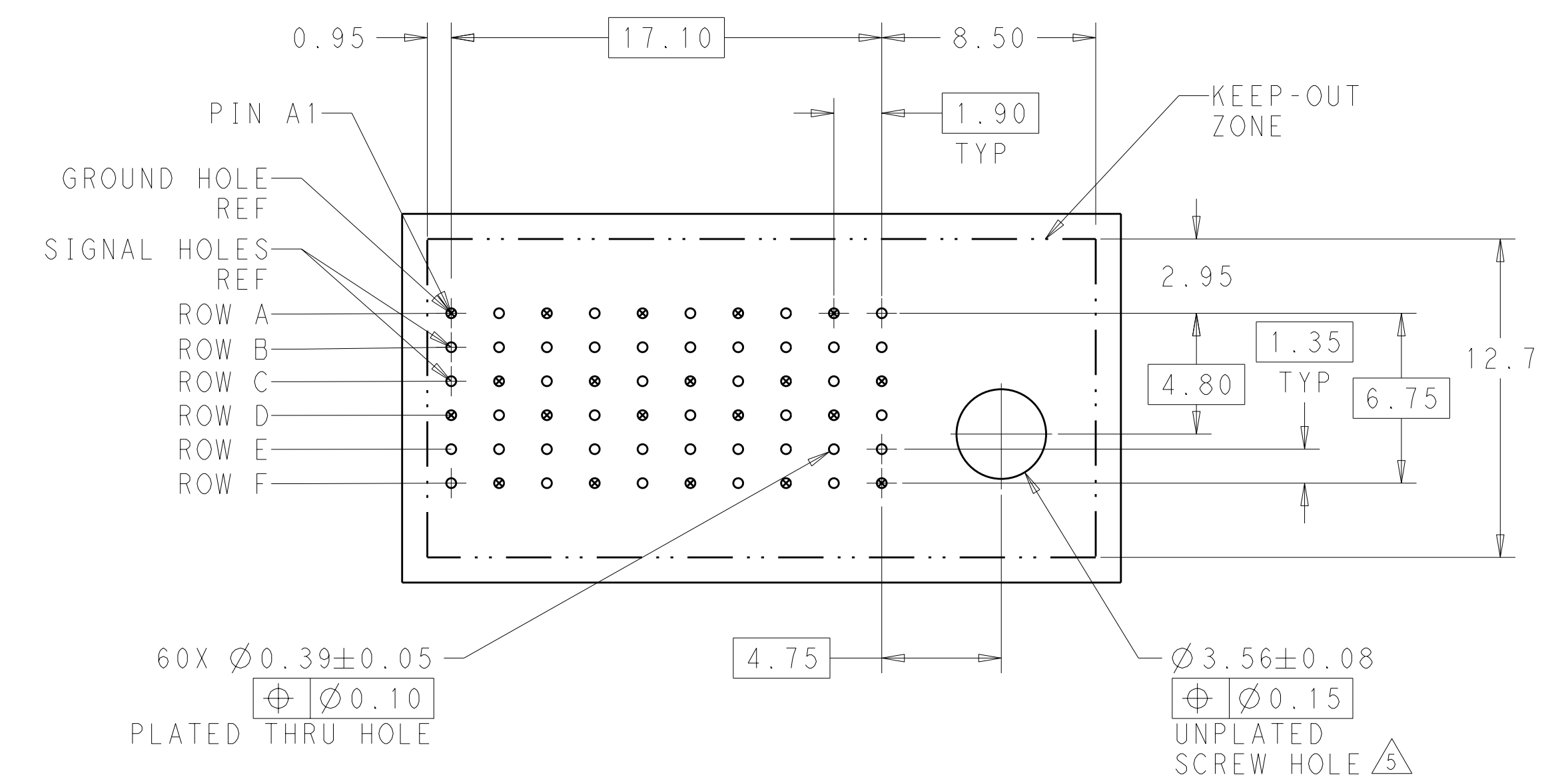
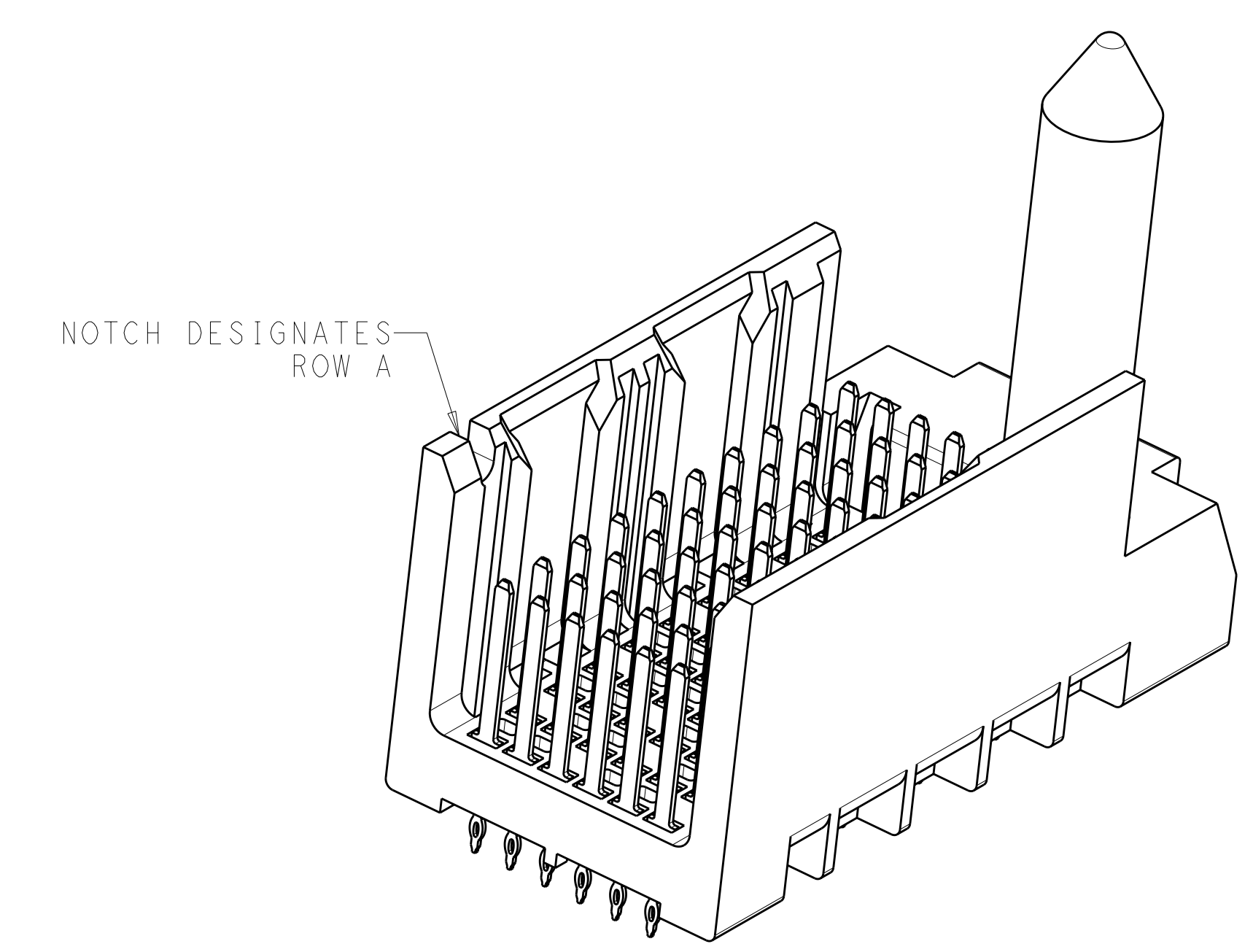


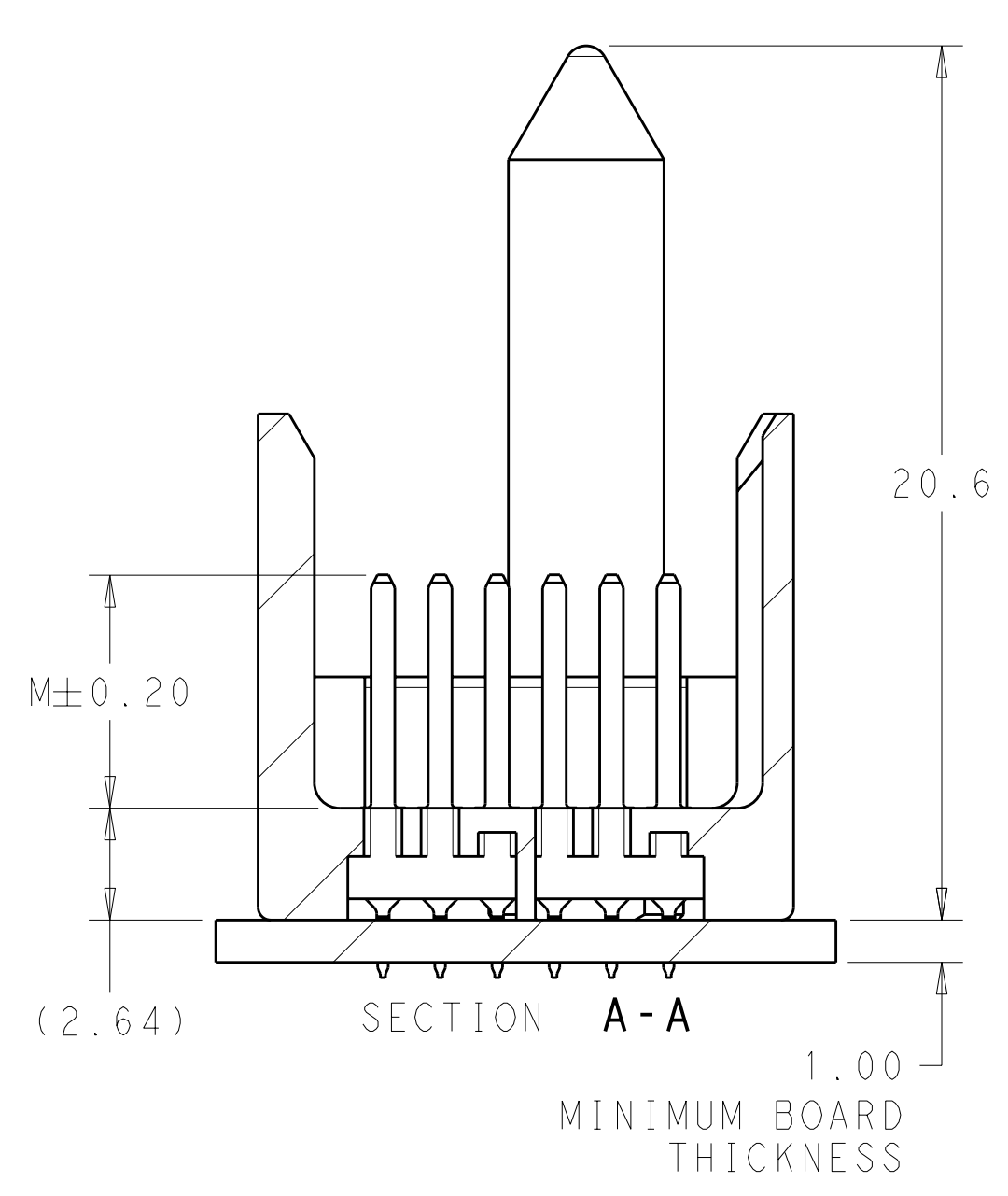
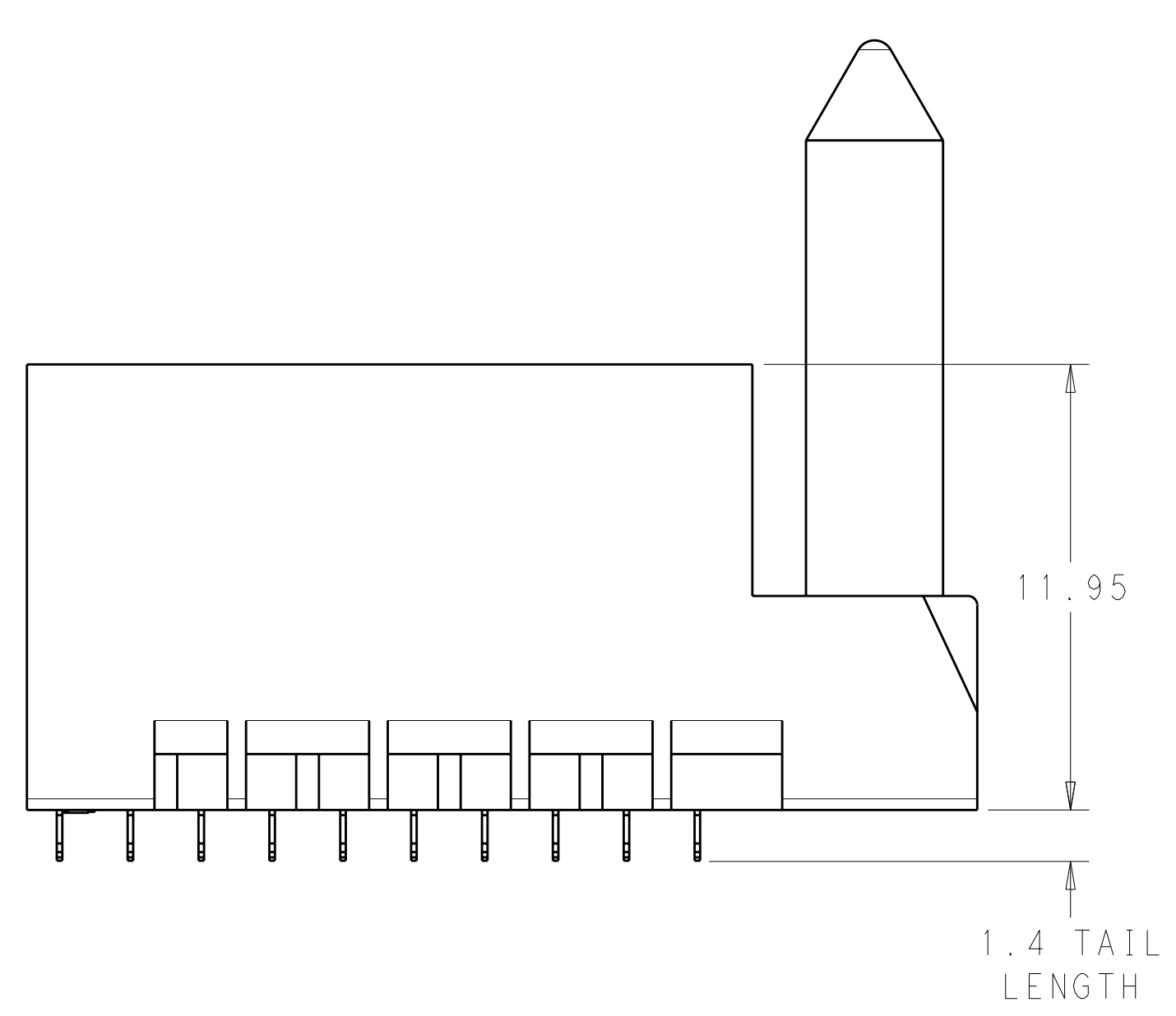
LOC	DIST	REV	DATE	BY	APPD
AD	00	1	18JUL2011	JKS	JE
		A	24FEB2012	BC	DY



- 1 MATERIAL:  
HOUSING: LCP, GLASS FILLED, UL94V-0.  
TERMINALS: HIGH PERFORMANCE COPPER ALLOY.
- 2 FINISH:  
30μ" MIN GOLD IN CONTACT AREA. SELECTIVE TIN  
ON PCB TAILS, NICKEL OVERALL.
- 3 FINISH:  
30μ" MIN GOLD IN CONTACT AREA. SELECTIVE TIN-LEAD  
ON PCB TAILS, NICKEL OVERALL.
- 4. SCREWS PACKAGED IN END OF PACKAGING TUBE.
- 5 FOR GROUNDED GUIDE PIN USE  $\varnothing 3.56 \pm 0.08$  PTH,  
 $\varnothing 3.66$  DRILL, AND  $\varnothing 6.5$  PAD.



RIGHT GUIDED  
 BACKPLANE HOLE PATTERN  
 (CONNECTOR SIDE)



THIS DRAWING IS A CONTROLLED DOCUMENT.		OWN J. K. SHOBER 18JUL2011	TE Connectivity
DIMENSIONS: mm		CHK J. EARY 18JUL2011	
TOLERANCES UNLESS OTHERWISE SPECIFIED: 9 PLC ± 1 PLC ±0.25 3 PLC ±0.13 4 PLC ± ANGLES ±		APVD J. EARY 18JUL2011	
MATERIAL		FINISH SEE TABLE	NAME IMPACT, 2 PAIR, 10 COLUMN, HEADER RIGHT GUIDED, OPEN END WALL SELECT LOAD, SIGNAL MODULE, 0.39 PTH SIZE CAGE CODE DRAWING NO. RESTRICTED TO A100779C=2180312
CUSTOMER DRAWING		SCALE 6:1	SHEET 1 OF 2 REV A

LOC		DIST		REVISIONS			
AD	00	P	LTB	DESCRIPTION	DATE	DWN	APVD
		-	-	SEE SHEET 1	-	-	-

2180312-1										
PART NUMBER		FINISH								
CONTACT LAYOUT										
A = 4.5mm (DIM M)										
B = 4.9mm (DIM M)										
C = 5.5mm (DIM M)										
COLUMNS										
	1	2	3	4	5	6	7	8	9	10
A	C	C	C	C	C	C	C	C	C	C
B	C	C	C	C	C	C	C	C	C	C
C	C	C	C	C	C	C	C	C	C	C
D	C	C	C	C	C	C	C	C	C	C
E	C	C	C	C	C	C	C	C	C	C
F	C	C	C	C	C	C	C	C	C	A

REFER TO WWW.TE.COM  
FOR PRODUCT AVAILABILITY

THIS DRAWING IS A CONTROLLED DOCUMENT.		DWN	J. K. SHOBER	18JUL2011	TE Connectivity
		CHK	J. EARY	18JUL2011	
		APVD	J. EARY	18JUL2011	NAME IMPACT, 2 PAIR, 10 COLUMN, HEADER RIGHT GUIDED, OPEN END WALL SELECT LOAD, SIGNAL MODULE, 0.39 PTH
		PRODUCT SPEC			
		APPLICATION SPEC			SIZE CAGE CODE DRAWING NO RESTRICTED TO A100779C=2180312
		WEIGHT			
MATERIAL		FINISH		CUSTOMER DRAWING	SCALE 5:1 SHEET 2 OF 2 REV A
DIMENSIONS:		TOLERANCES UNLESS OTHERWISE SPECIFIED:			
mm		9 PLC ±			
		3 PLC ±0.25			
		5 PLC ±0.13			
		4 PLC ±			
		ANGLES ±			
		FINISH ±			
		SEE TABLE			