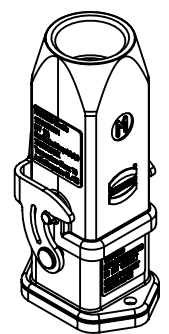
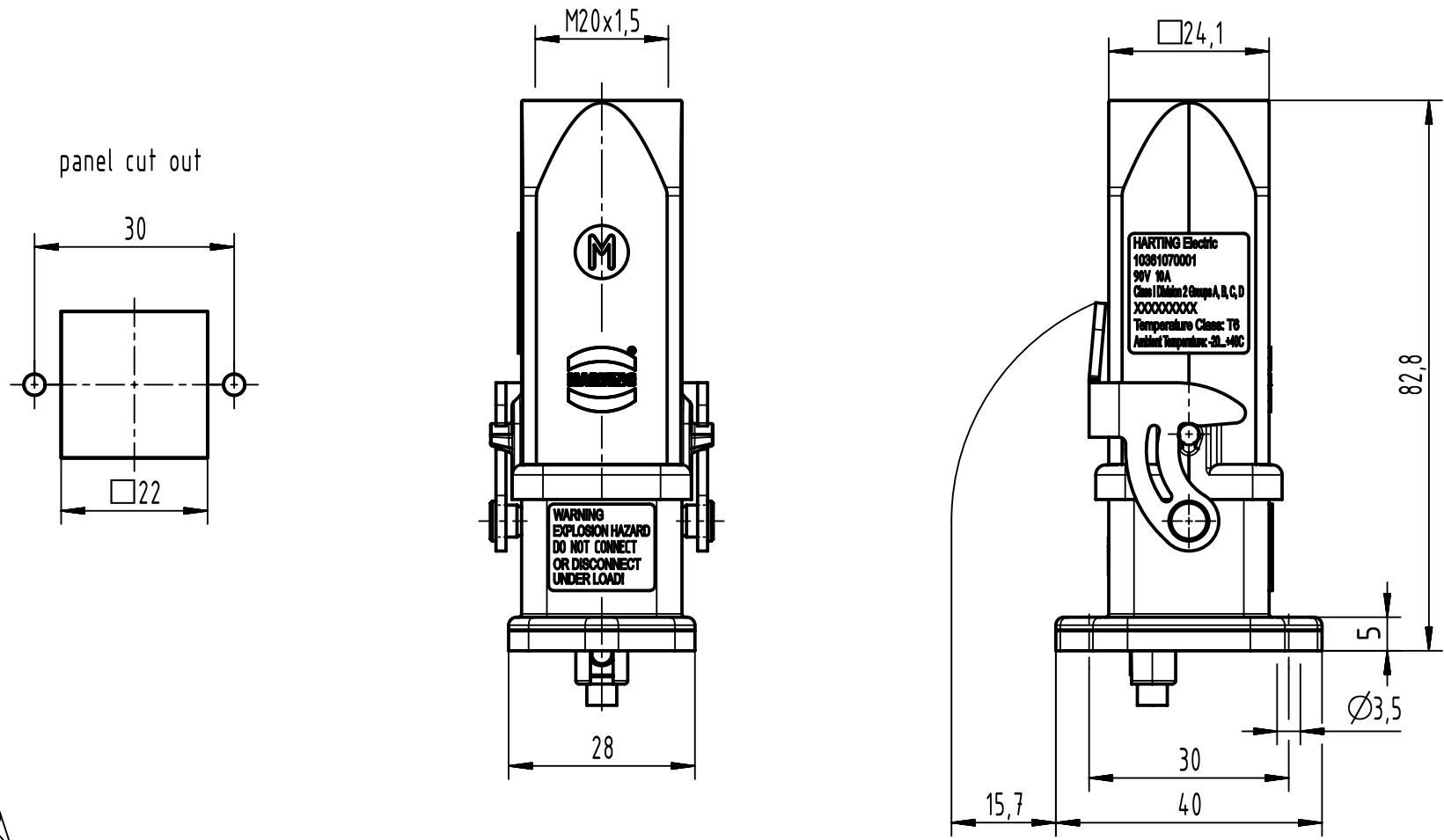


1 2 3 4 5 6

A
B
C
D



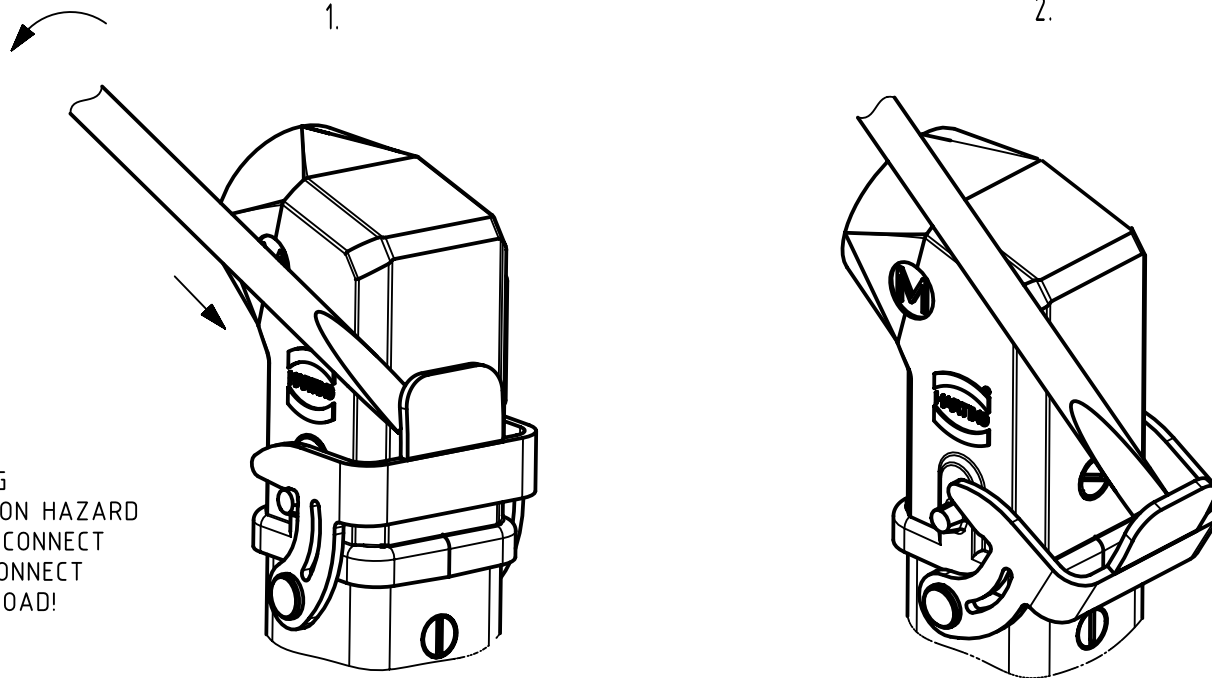
<p>All Dimensions in mm Original Size DIN A4</p>	Scale 1:1		Free size tol.		Ref.	
	Created by HELLMANN		Inspected by SCHNIEDER	Standardisation	Date 2021-11-24	Sub.
<p>All rights reserved Department EL PD</p>	Title Han Ex UL-Q7 Set			State Final Release		
	Type TB			Number 10 36 107 0001		Doc-Key / ECM-Nr. 100670127/UGD/002/D 500000206718
<p>HARTING D-32339 Espelkamp</p>					Rev. D	Page 1/2

1 2 3 4 5 6

FOR USE WITH AWG: 14, 16

FOR USE WITH CABLE TYPE:
PLTC, PLTC-ER, ITC, ITC-ER, MC, MV AND TC

FOR USE IN CLASS I, DIVISION 2 GROUPS A, B, C, AND D
HAZARDOUS LOCATIONS OR UNCLASSIFIED LOCATIONS



WARNING
EXPLOSION HAZARD
DO NOT CONNECT
OR DISCONNECT
UNDER LOAD!

THE INSTALLATION MUST BE IN ACCORDANCE WITH THE ASSOCIATED LOCATION RESTRICTIONS OF THE NATIONAL ELECTRIC CODE OR CANADIAN ELECTRICAL CODE AS APPLICABLE, INCLUDING ISSUES SUCH AS THE ROUTING, SUPPORT AND LENGTH OF THE INVOLVED CORD OR CABLE.

To separate connectors, insert small flathead tool or screwdriver between metal lever and housing as shown in the diagram. Press screwdriver in a downward direction until the metal lever releases.

To secure the hood and housing assembly together, press the metal levers in the upward direction until metal lever latches into housing pins.