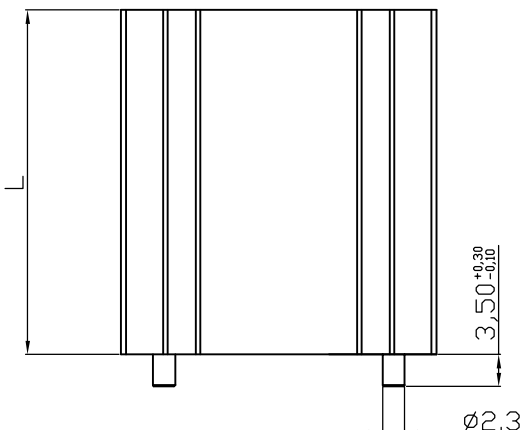
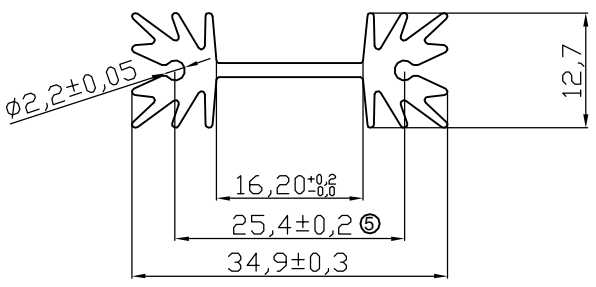





	1	2	3	4	5	6	7																																																																																	
A									A																																																																															
B																																																																																								
C																																																																																								
D																																																																																								
E									E																																																																															
F	<p>Material : AL 6063-T5 BL-005 Pin : Brass Tin plated Finish : Black anodized Unmarked round angle R is 5mm.</p> <table border="1"> <thead> <tr> <th>Option</th> <th>L</th> <th>Thermal resistance(K/W)</th> </tr> </thead> <tbody> <tr> <td>V7477W2</td> <td>25.4</td> <td>14</td> </tr> <tr> <td>V7477X2</td> <td>38.1</td> <td>11</td> </tr> <tr> <td>V7477Y2</td> <td>50.8</td> <td>9</td> </tr> <tr> <td>V7477Z2</td> <td>63.5</td> <td>7</td> </tr> </tbody> </table>								Option	L	Thermal resistance(K/W)	V7477W2	25.4	14	V7477X2	38.1	11	V7477Y2	50.8	9	V7477Z2	63.5	7	F																																																																
Option	L	Thermal resistance(K/W)																																																																																						
V7477W2	25.4	14																																																																																						
V7477X2	38.1	11																																																																																						
V7477Y2	50.8	9																																																																																						
V7477Z2	63.5	7																																																																																						
G	RoHS compliant Unit: mm	<table border="1"> <thead> <tr> <th>Scale</th> <th>FREE</th> <th>⑥</th> <th>Change production plant</th> <th>07.06.2013</th> <th>Amy</th> <th></th> <th>Date</th> <th>Name</th> <th>Customer-No.</th> </tr> </thead> <tbody> <tr> <td colspan="2">TOLERANCE</td> <td>⑤</td> <td>Modify Dimention</td> <td>09.05.2011</td> <td>Jason</td> <td>Drawn</td> <td>08.02.2005</td> <td>A.Menk</td> <td rowspan="2">ASSMANN WSW-No. V7477x2</td> </tr> <tr> <td>X.</td> <td>±X</td> <td>④</td> <td>Modify Dimention</td> <td>20.07.2010</td> <td>Alex</td> <td>Approved</td> <td>07.06.2013</td> <td>Amy</td> </tr> <tr> <td>X.X</td> <td>±X</td> <td>③</td> <td>Modify Drawing layout</td> <td>10.03.2010</td> <td>Alex</td> <td></td> <td></td> <td></td> <td>Drawing-No.</td> </tr> <tr> <td>UNIT</td> <td>±0.2</td> <td>②</td> <td>Redraw</td> <td>11.08.2009</td> <td>Dean</td> <td colspan="2" rowspan="3">  </td> <td rowspan="2">ASS 0574 HS</td> <td>rev06</td> </tr> <tr> <td>DIM</td> <td>Tol</td> <td>①</td> <td>Drawn</td> <td>08.02.2005</td> <td>A.Menk</td> <td>Replace</td> <td>Sheet</td> </tr> <tr> <td>X.°</td> <td>±X°</td> <td>Id.</td> <td>Modification</td> <td>Date</td> <td>Name</td> <td></td> <td></td> </tr> <tr> <td>X.X°</td> <td>±X°</td> <td></td> <td></td> <td></td> <td></td> <td></td> <td></td> <td></td> <td></td> </tr> <tr> <td>Angle</td> <td>TOL</td> <td></td> <td></td> <td></td> <td></td> <td></td> <td></td> <td></td> <td></td> </tr> </tbody> </table>	Scale	FREE	⑥	Change production plant	07.06.2013	Amy		Date	Name	Customer-No.	TOLERANCE		⑤	Modify Dimention	09.05.2011	Jason	Drawn	08.02.2005	A.Menk	ASSMANN WSW-No. V7477x2	X.	±X	④	Modify Dimention	20.07.2010	Alex	Approved	07.06.2013	Amy	X.X	±X	③	Modify Drawing layout	10.03.2010	Alex				Drawing-No.	UNIT	±0.2	②	Redraw	11.08.2009	Dean			ASS 0574 HS	rev06	DIM	Tol	①	Drawn	08.02.2005	A.Menk	Replace	Sheet	X.°	±X°	Id.	Modification	Date	Name			X.X°	±X°									Angle	TOL									G
Scale		FREE	⑥	Change production plant	07.06.2013	Amy		Date	Name	Customer-No.																																																																														
TOLERANCE		⑤	Modify Dimention	09.05.2011	Jason	Drawn	08.02.2005	A.Menk	ASSMANN WSW-No. V7477x2																																																																															
X.	±X	④	Modify Dimention	20.07.2010	Alex	Approved	07.06.2013	Amy																																																																																
X.X	±X	③	Modify Drawing layout	10.03.2010	Alex				Drawing-No.																																																																															
UNIT	±0.2	②	Redraw	11.08.2009	Dean			ASS 0574 HS	rev06																																																																															
DIM	Tol	①	Drawn	08.02.2005	A.Menk				Replace	Sheet																																																																														
X.°	±X°	Id.	Modification	Date	Name																																																																																			
X.X°	±X°																																																																																							
Angle	TOL																																																																																							
H									H																																																																															
	1	2	3	4	5	6	7																																																																																	