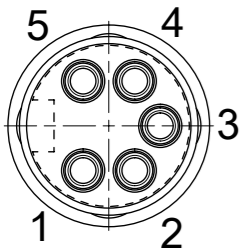


**A-SIZE 5 POLE FEMALE**



PIN	WIRE COLOR
1	DRAIN
2	RED
3	BLACK
4	WHITE
5	BLUE

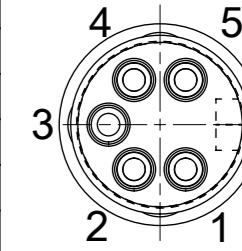
VIEW FROM THE WIRE SIDE

MOLEX PN	ENGINEERING No	FINISHED LENGTH
1300250283	DND11A-M003	11.8 IN (0.3 M)
1300250302	DND11A-M100	32 FT 9.7 IN (10.0 M)
1300250308	DND11A-M240	78 FT 8.9 IN (24.0 M)

(C1)

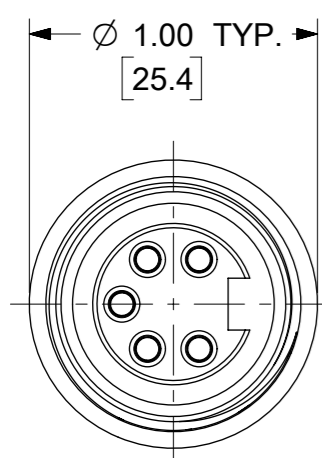
**CABLE LENGTH TOLERANCES**  
 <.3M [1FT]: +19mm-0 [+ .75in-0]  
 .3 - .9M [1 - 3FT]: +44.5mm-0 [+1.75in-0]  
 .9 - 1.8M [3 - 6FT]: +55.6mm-0 [+2.19in-0]  
 1.8 - 3.7M [6 - 12FT]: +88.9mm-0 [+3.50in-0]  
 3.7 - 7.3M [12 - 24FT]: +165.1mm-0 [+6.50in-0]  
 7.3-14.6M [24 - 48FT]: +317.5mm-0 [+12.50in-0]  
 14.6 - 30.5M [48-100FT]: +622.3mm-0 [+24.50in-0]  
 OVER 30M [100FT] +2% OF FINISHED LENGTH

**A-SIZE 5 POLE MALE**

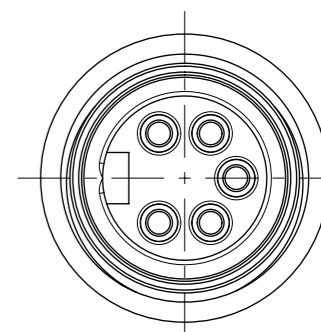
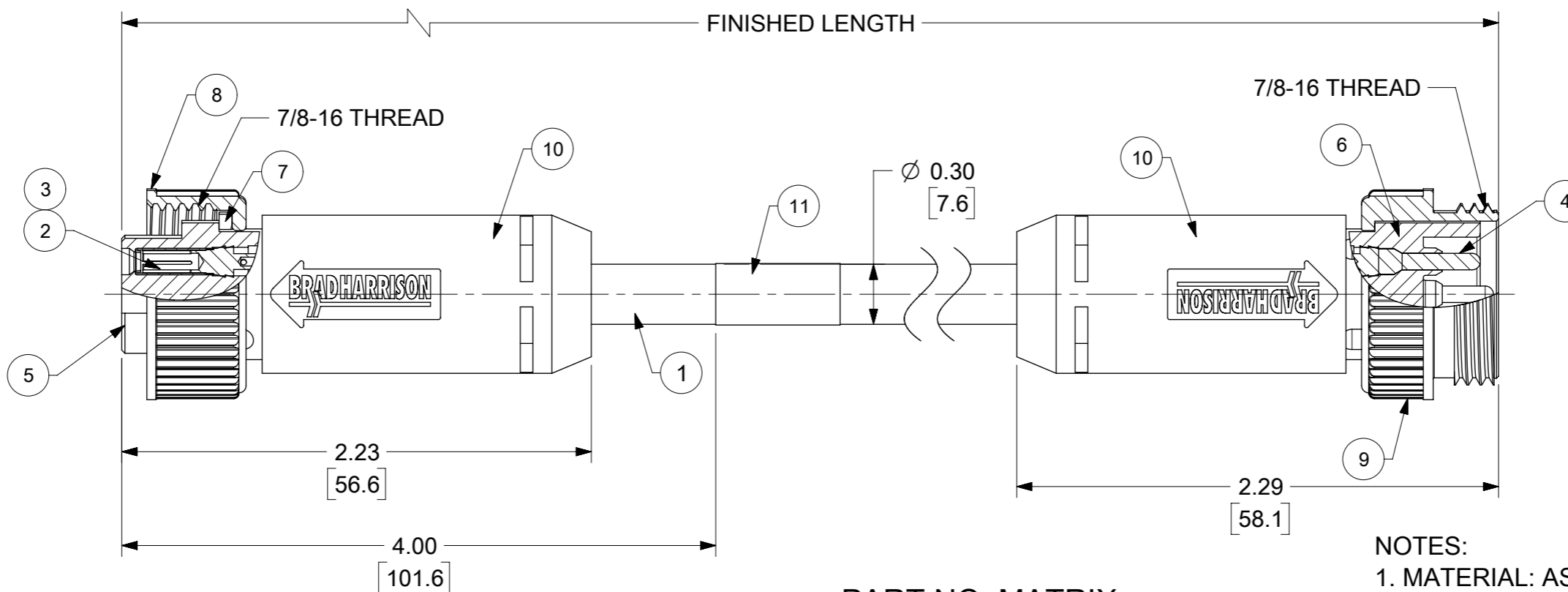


PIN	WIRE COLOR
1	DRAIN
2	RED
3	BLACK
4	WHITE
5	BLUE

VIEW FROM THE WIRE SIDE



FEMALE FACE VIEW



MALE FACE VIEW

**PART NO. MATRIX**  
 DND11A-M010

FINISHED LENGTH  
 M005= 0.5 METER  
 M010= 1 METER  
 M100= 10 METER

**NOTES:**

1. MATERIAL: AS NOTED
2. FINISH: AS NOTED
3. ELECTRICAL SPECIFICATIONS  
 VOLTAGE RATING: 300V PER IEC60664  
 300V PER UL2238  
 CURRENT RATING: 4A
4. TEMP RANGE: -20°C TO +80°C
5. PROTECTION: IP67 (WHEN MATED)
6. UL RECOGNIZED FILE: E152210  
 CSA CERTIFICATION FILE: LR6837
7. ALL DIMS ARE FOR REFERENCE UNLESS TOLERANCED OR NOTED OTHERWISE

ITEM	DESCRIPTION	MATERIAL	FINISH
11	LABEL	VINYL	BLACK/YELLOW
10	OVERMOLD	TPE	GRAY
9	COUPLING NUT, MALE THREAD	ZINC DIE CAST	BLACK E-COAT
8	COUPLING NUT, FEMALE THREAD	ZINC DIE CAST	BLACK E-COAT
7	FRICITION RING	NYLON	WHITE
6	INSERT 5P MALE	TPE	GRAY
5	INSERT 5P FEMALE	TPE	GRAY
4	CONTACT PIN, 22 AWG	BRASS	GOLD PLATED
3	SOCKET SLEEVE	ST. STEEL	-
2	CONTACT SOCKET, 22 AWG	BRASS	GOLD PLATED
1	CABLE- THIN-STD, DEV-NET, DROP, 4/22	PVC JACKET	GRAY

FUNCTIONAL SYMBOLS	THIS DRAWING CONTAINS INFORMATION THAT IS PROPRIETARY TO MOLEX ELECTRONIC TECHNOLOGIES, LLC AND SHOULD NOT BE USED WITHOUT WRITTEN PERMISSION	<p><b>molex</b></p> MINI-CHANGE CORDSET M/F STR/STR DEV-NET DROP CABLE (THIN) PRODUCT CUSTOMER DRAWING
	EC NO: 650829 DRWN: RSTONE 2020/12/07 CHK'D: CCHRASKA 2020/12/07 APPR: BWOODMAN 2020/12/08	
DIMENSION UNITS: INCH/MM SCALE: 3:2 CURRENT REV DESC: CORRECT FINISHED LENGTH FOR P/N 1300250283, WAS 3 METERS	GENERAL TOLERANCES (UNLESS SPECIFIED) ANGULAR TOL ± °	DOCUMENT NUMBER: SD-130025-019 DOC TYPE: PSD DOC PART: 001 REVISION: C1
DIVISIONAL SYMBOLS 4 PLACES ± 3 PLACES ± 2 PLACES ± 1 PLACE ± 0 PLACES ±	INITIAL REVISION: DRWN: RSTONE 2009/07/31 APPR: JFMURPHY 2009/08/10	MATERIAL NUMBER: SEE TABLE CUSTOMER: GENERAL MARKET SHEET NUMBER: 1 OF 1
DRAFT WHERE APPLICABLE MUST REMAIN WITHIN DIMENSIONS	THIRD ANGLE PROJECTION	DRAWING: A3-SIZE SERIES: 130025