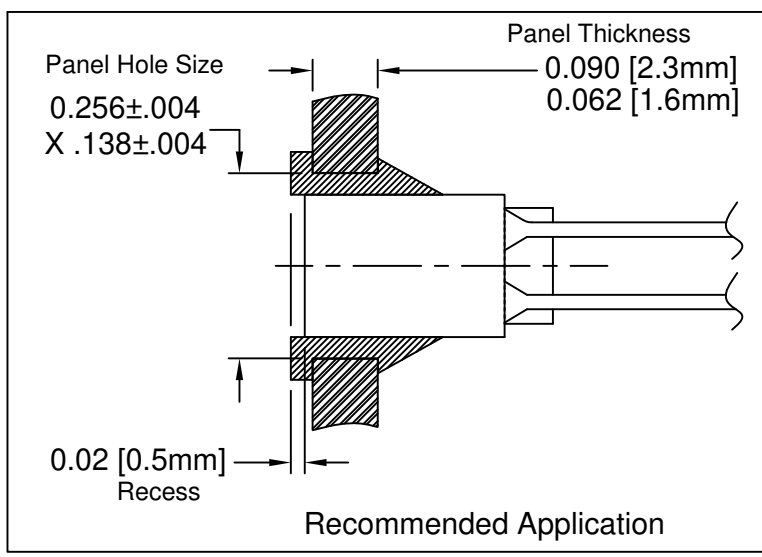
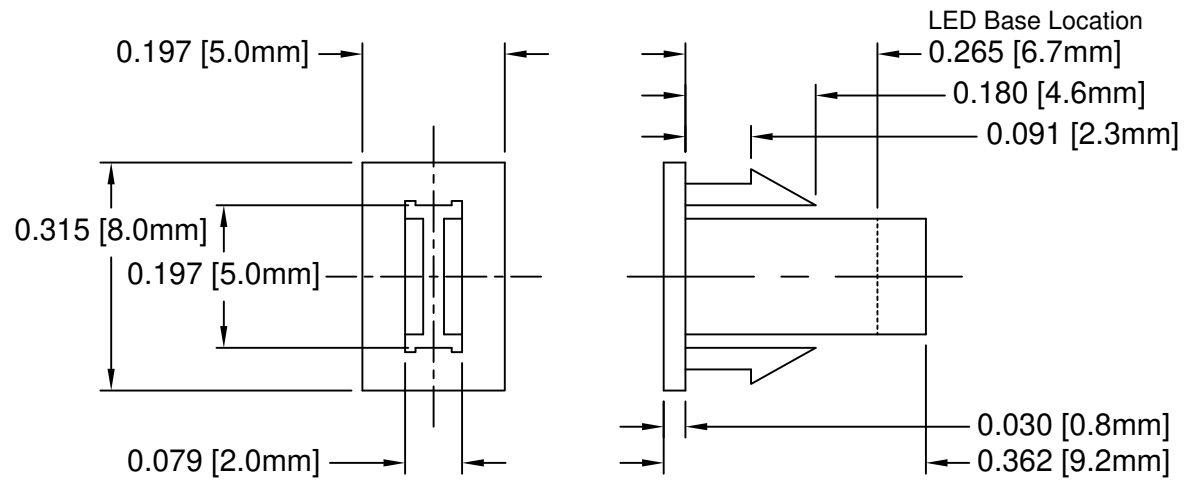




REV.	DESCRIPTION	DATE	APPROVED
B	Engineering Update w/o Changes	02/26/04	M. C.
C	Removed Material Code	05/28/16	J. C.



- 2. MATERIAL: NYLON 6/6, 94V-2, BLACK.
- 1. GENERAL SPECIFICATIONS: BIVAR MOLDED COMPONENT SPECIFICATION BV00-E101.

STANDARD TOLERANCE (UNLESS OTHERWISE SPECIFIED)		 4 THOMAS, IRVINE, CA. 92618 TEL: (949) 951-8808 FAX: (949) 951-3974	
DECIMALS	ANGULAR		
.X ± .1	X° ± 1°		TITLE: 2MM X 5MM LED SELF RETAINING CLIP
.XX ± .01			PART NO: C-R25-SR
.XXX ± .005			REVISION: C
DESIGNED: S. Irving	DATE: 09/11/98	CAGE CODE : 32559	SHEET # 1 OF 1
CHECKED: R. Dienst	DATE: 09/11/98	CAD GENERATED DOCUMENT. DO NOT MEASURE DRAWING.	