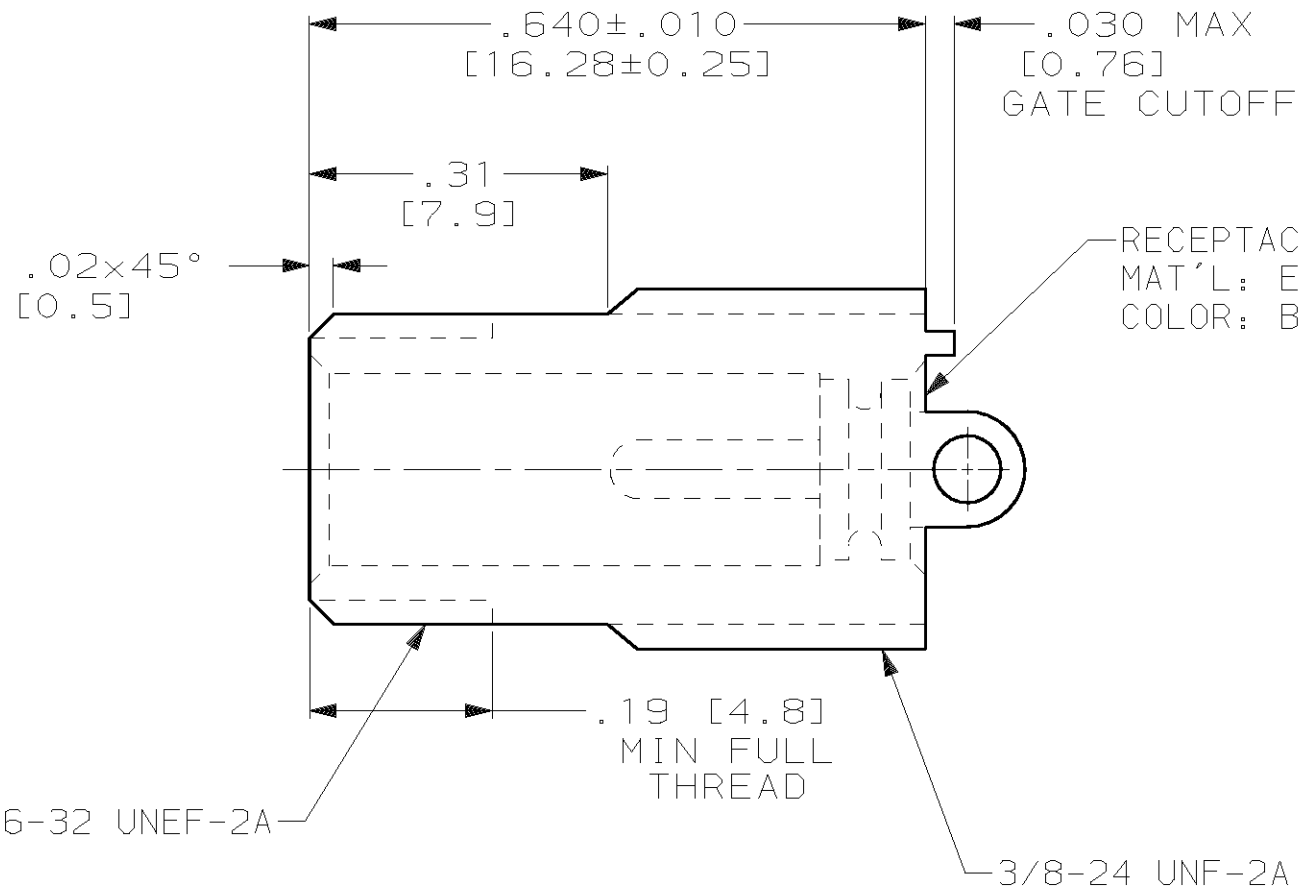
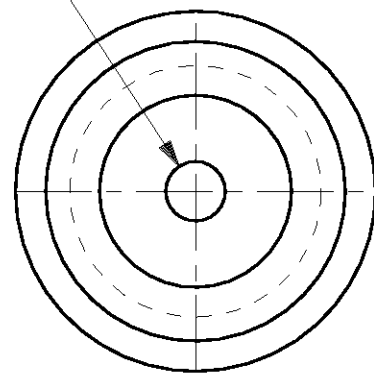


THIS DRAWING IS UNPUBLISHED. RELEASED FOR PUBLICATION, 19 .  
 © COPYRIGHT 19 BY AMP INCORPORATED. ALL INTERNATIONAL RIGHTS RESERVED.

PROD CODE	LOC	DIST	P	F	ZONE	LTR	DESCRIPTION	DATE	APPD
4087	DF	50				0	RELEASED PER NPR 92-176 CT	7-92	SG
						A	REV PER 0600-7334-98 TT	070CT98	DE
			✓	✓		B	REV PER 0600-8083-98 JB	03-99	ML

.062 [1.57] DIA PIN  
 MAT'L: BRASS PER ASTM-B-16  
 FINISH: GOLD PLATED PER MIL-G-45204  
 OVER NICKEL PER QQ-N-290



1. RECEPTACLE WILL ACCEPT A LGH-1/2 LEAD WITH A .53 [13.5] MOLDED END LENGTH.

THIS DRAWING IS A CONTROLLED DOCUMENT FOR AMP INCORPORATED. IT IS SUBJECT TO CHANGE AND THE CONTROLLING ENGINEERING ORGANIZATION SHOULD BE CONTACTED FOR THE LATEST REVISION.

DO NOT SCALE PRINT. UNLESS SPECIFIED DIMENSIONS IN INCHES [mm]		DR 7-1-92 C.C.THOMAS	448462-1	
TOLERANCES ON: 2 PLC DEC ± .01 [0.3] 3 PLC DEC ± .005 [0.13] ANGLES ± -		CHK 7-8-92 S.GLATFELTER	PART NO	
MATERIAL SEE CALLOUTS		APPD 7-8-92 S.GLATFELTER	AMP Incorporated Harrisburg, PA 17105-3608	
FINISH SEE CALLOUTS		APPD 7-8-92 C.C.THOMAS	NAME RECEPTACLE, LGH-1/2, SPECIAL	
		PRODUCT SPEC -	SIZE B	CAGE CODE 00779
		APPLICATION SPEC -	DRAWING NO C-448462	
		WEIGHT -	SCALE 5:1	SHEET 1 OF 1