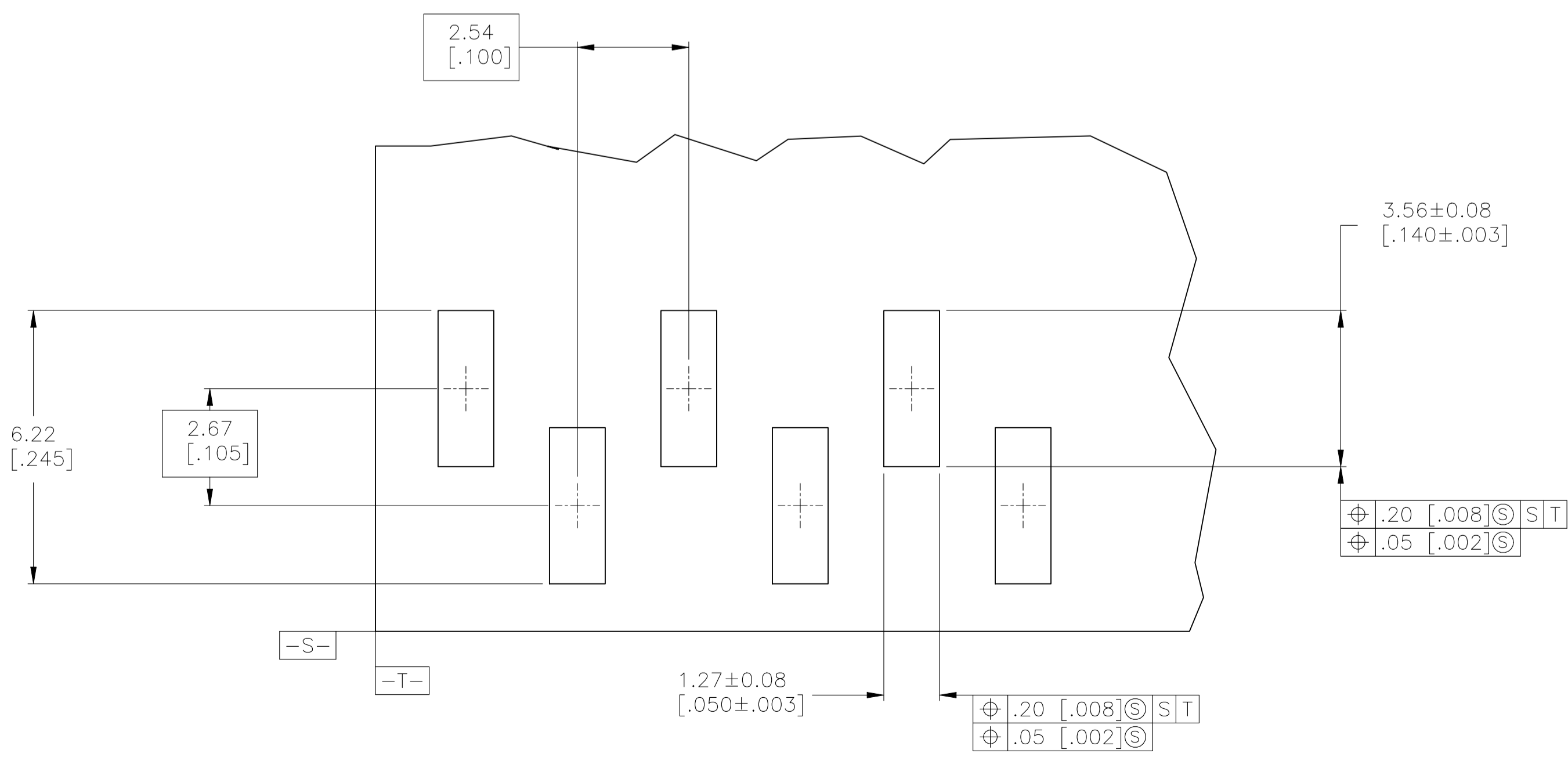
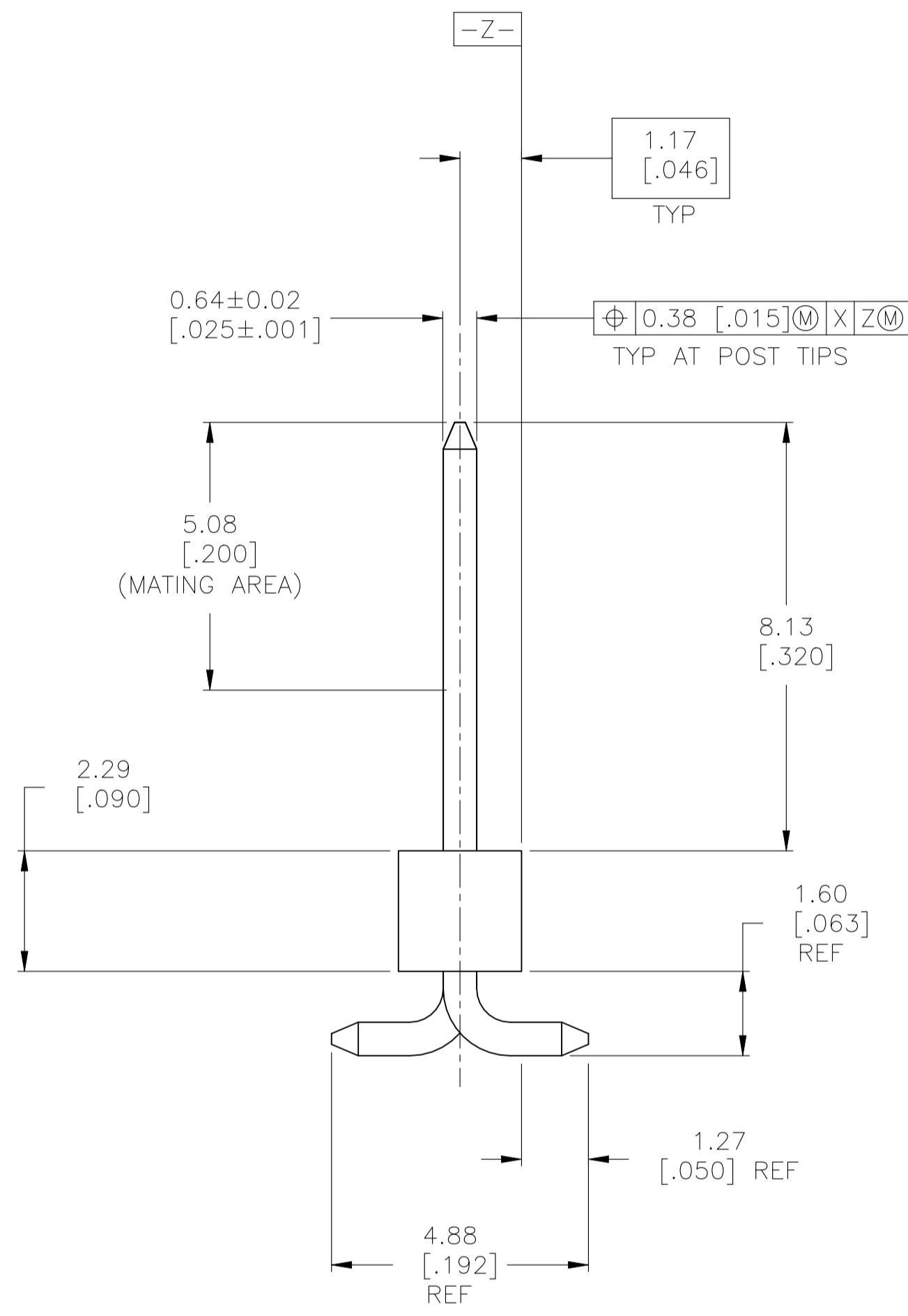
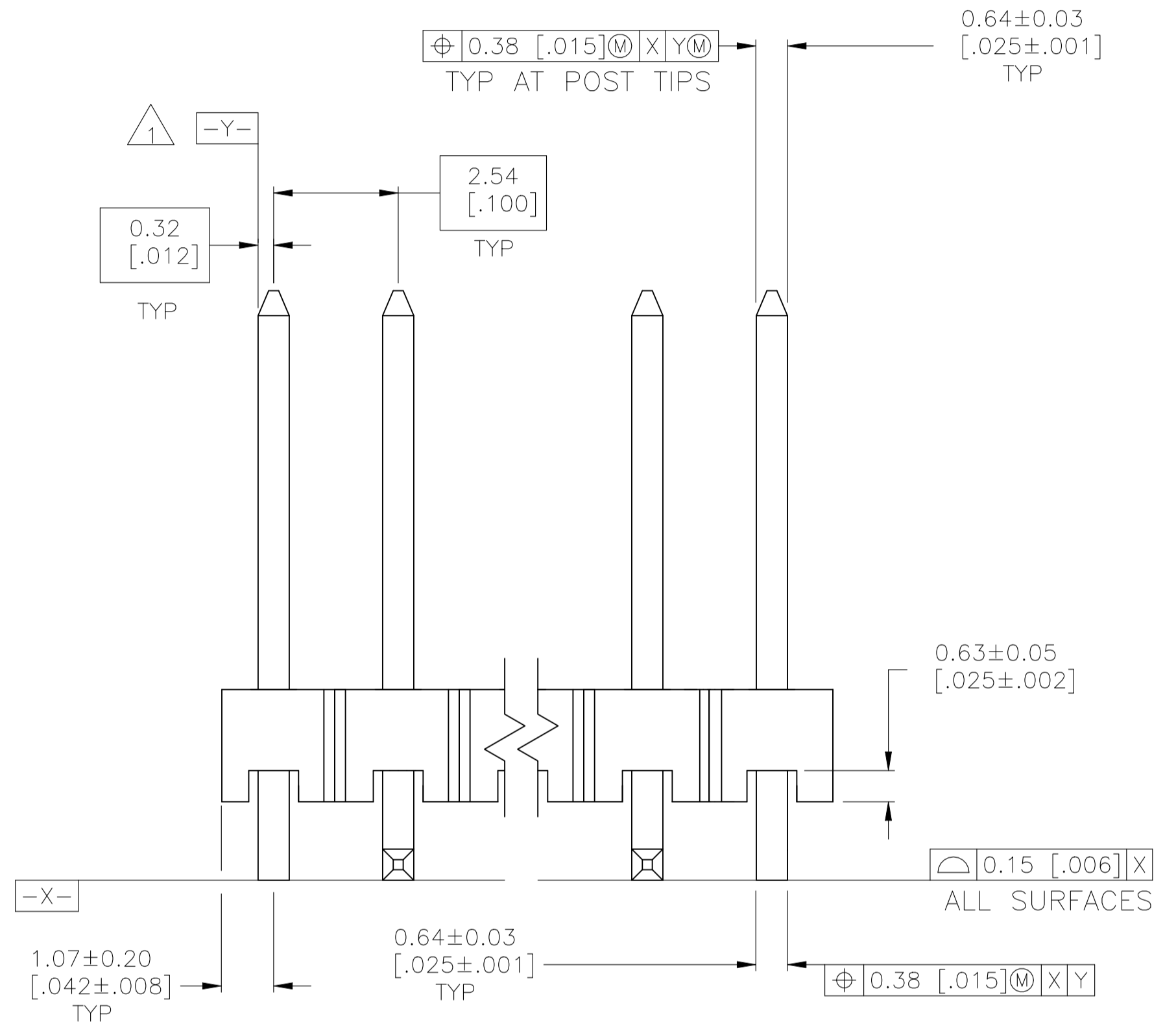
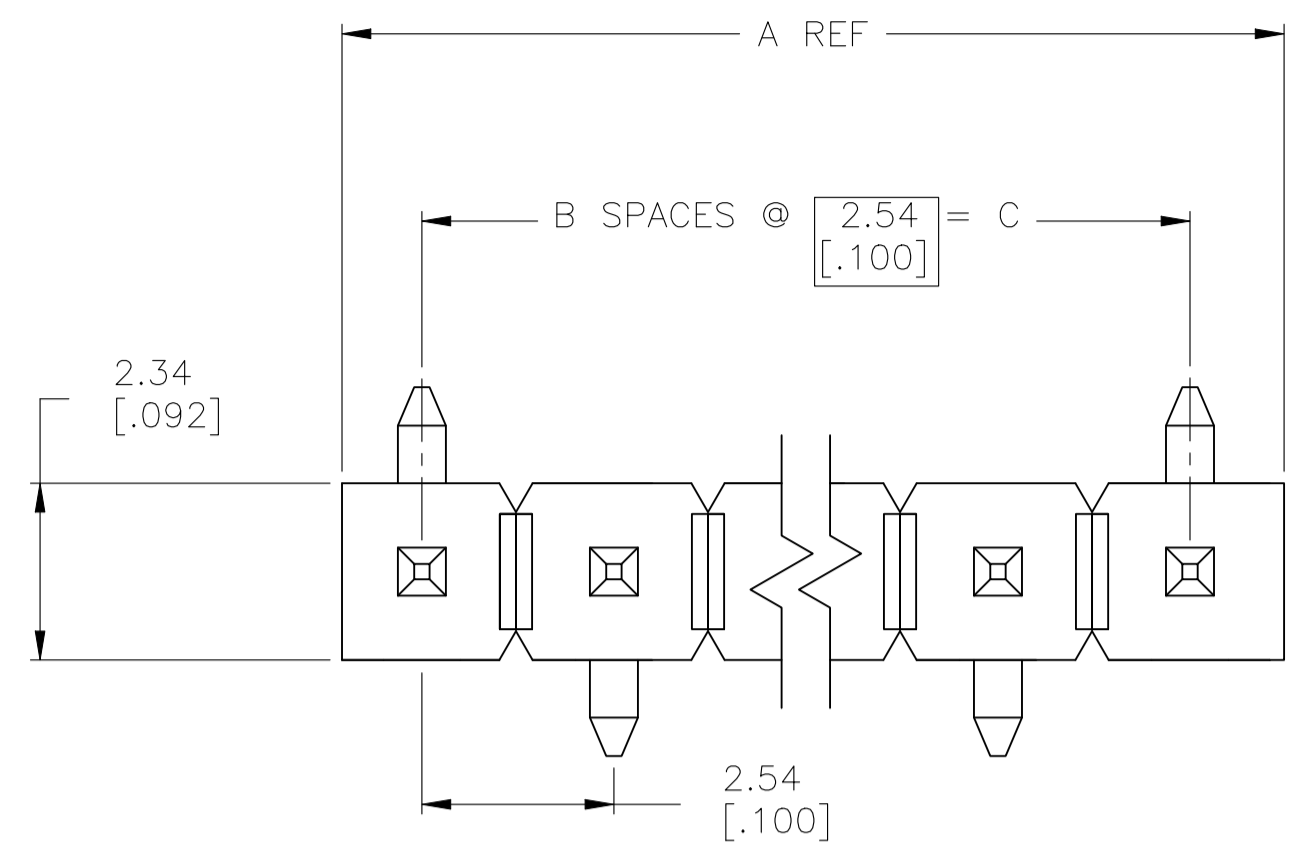


REVISIONS					
REV	DATE	BY	CHK	APPV	DESCRIPTION
L1	15JUL2022	RK	MF		REVISED PER ECN-22-164707

- 1 THE NOTED DIMENSIONS APPLY AT THE INTERSECTION OF THE POST AND THE HOUSING.
- 2 0.000762[.000030] GOLD ON CONTACT AREA, 0.00254[.000100]-0.00508[.000200] MATTE TIN-LEAD ON SOLDER TAIL, ALL OVER 0.00127[.000050] NICKEL.
- 3 HOUSING: LCP, COLOR-BLACK. POSTS: COPPER ALLOY.
- 4 0.000762[.000030] GOLD ON CONTACT AREA, 0.00254[.000100]-0.00508[.000200] MATTE TIN ON SOLDER TAIL, ALL OVER 0.00127[.000050] NICKEL.
- 5 OBSOLETE PARTS: OBSOLETE CIS STREAMLINING PER D.RENAUD/D.SINISI



RECOMMENDED PCB LAYOUT FOR USE WITH .008 THICK STENCIL

REV	DATE	BY	CHK	APPV	DESCRIPTION
4	35.56 [1.400]	14			35.69 [1.484]
4	33.02 [1.300]	13			33.15 [1.384]
4	30.48 [1.200]	12			30.61 [1.284]
4	27.94 [1.100]	11			28.07 [1.184]
4	25.40 [1.000]	10			27.53 [1.084]
4	22.86 [.900]	9			24.99 [.984]
4	20.32 [.800]	8			22.45 [.884]
4	17.78 [.700]	7			19.91 [.784]
4	15.24 [.600]	6			17.37 [.684]
4	12.70 [.500]	5			14.83 [.584]
4	10.16 [.400]	4			12.29 [.484]
4	7.62 [.300]	3			9.75 [.384]
4	5.08 [.200]	2			7.21 [.284]
5	35.56 [1.400]	14			35.69 [1.484]
5	33.02 [1.300]	13			33.15 [1.384]
5	30.48 [1.200]	12			30.61 [1.284]
5	27.94 [1.100]	11			28.07 [1.184]
5	25.40 [1.000]	10			27.53 [1.084]
5	22.86 [.900]	9			24.99 [.984]
5	20.32 [.800]	8			22.45 [.884]
5	17.78 [.700]	7			19.91 [.784]
5	15.24 [.600]	6			17.37 [.684]
5	12.70 [.500]	5			14.83 [.584]
5	10.16 [.400]	4			12.29 [.484]
5	7.62 [.300]	3			9.75 [.384]
5	5.08 [.200]	2			7.21 [.284]

THIS DRAWING IS A CONTROLLED DOCUMENT.

DIMENSIONS: mm [INCHES]

TOLERANCES UNLESS OTHERWISE SPECIFIED:

0. PLC	± .001
1. PLC	± .002
2. PLC	± .003
3. PLC	± .005
4. PLC	± .008
ANGLES	± .001

MATERIAL: 3

FINISH: SEE TABLE

WEIGHT: --

CUSTOMER DRAWING

DIN: J. KNAUB 9-30-94

CHK: G. DUBNICZKI 9-30-94

APPV: G. DUBNICZKI 9-30-94

NAME: SURFACE MOUNT HEADER ASSY, MOD II, B/A, VERT, SR, .100 X.100 C/L, .025 SQ.POST

SIZE: A1

SCALE: 10:1

SHEET: 1 of 1

REV: L1