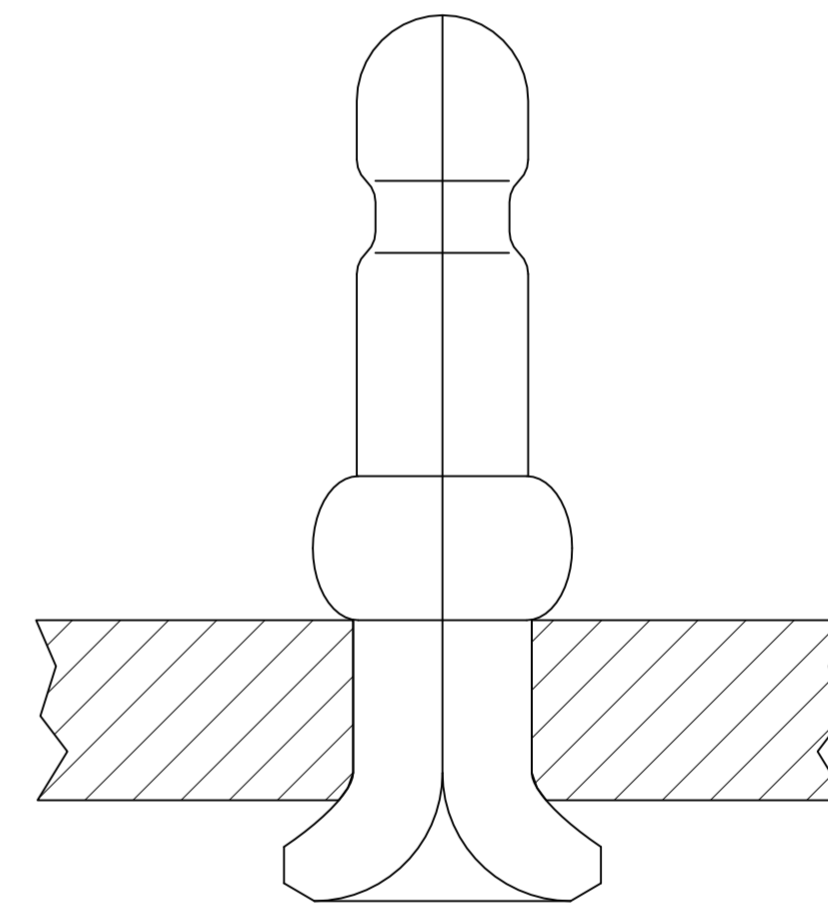
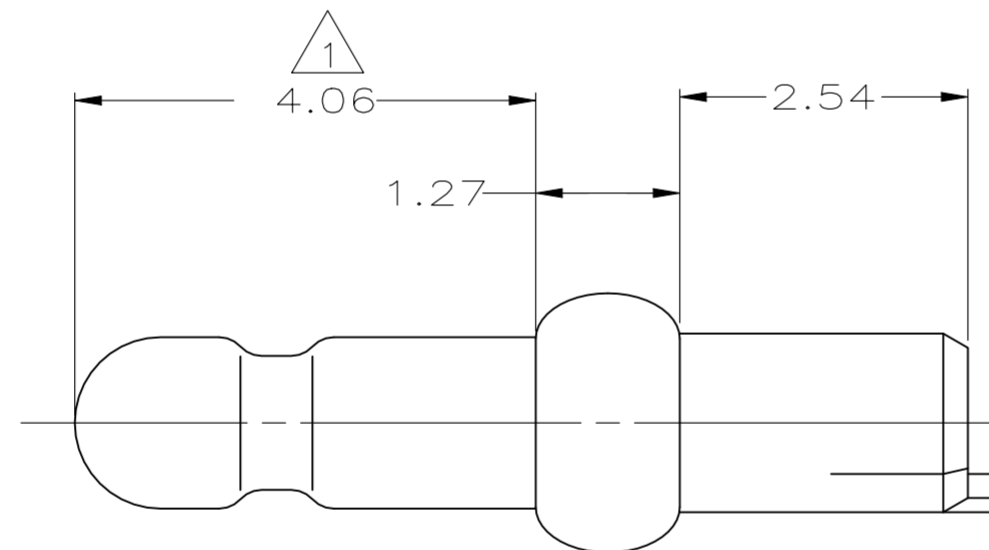
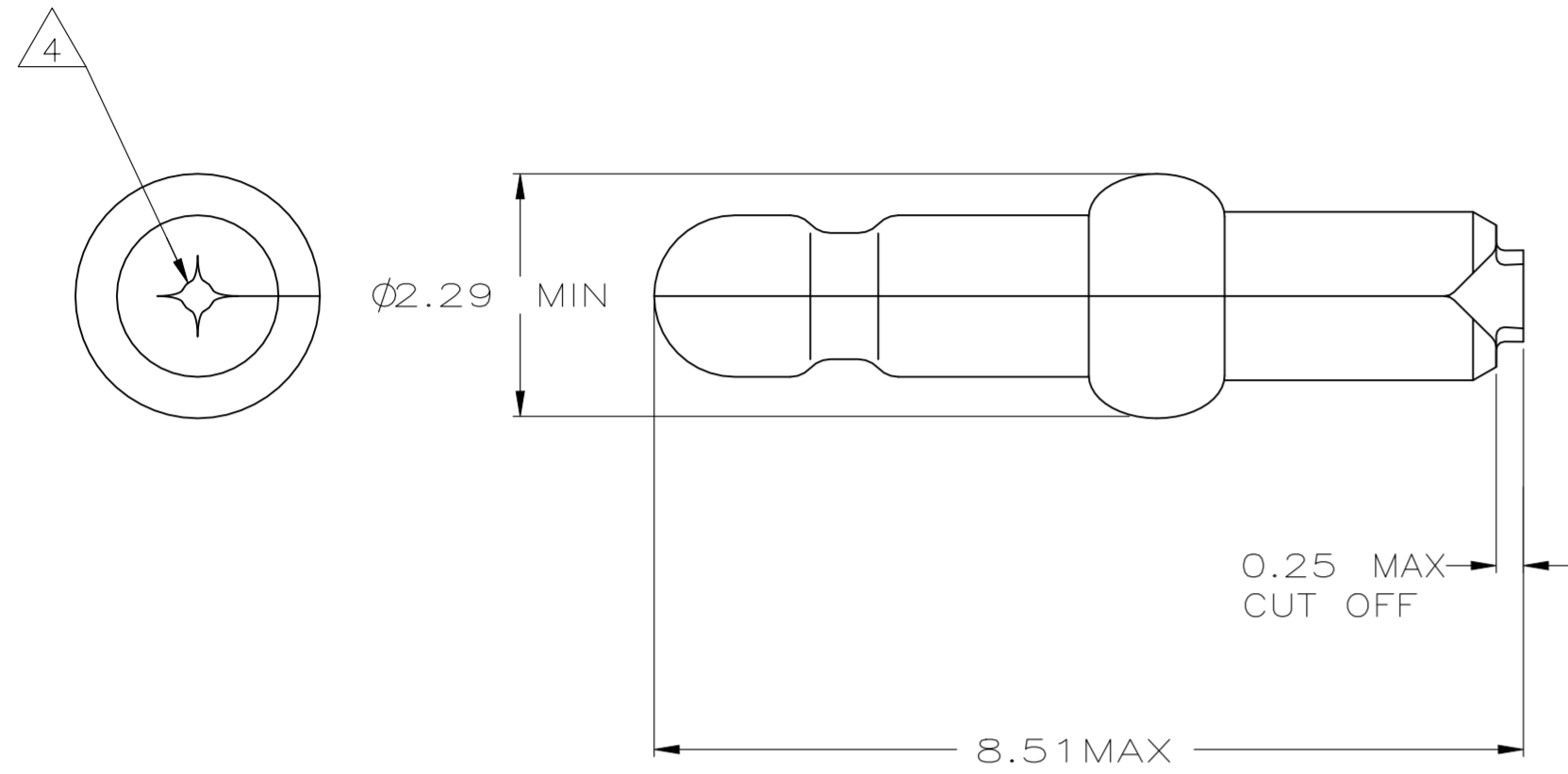


REVISIONS					
P	LTR	DESCRIPTION	DATE	DWN	APVD
U1		REVISED PER ECR-22-157096	02NOV2022	SK	DZ

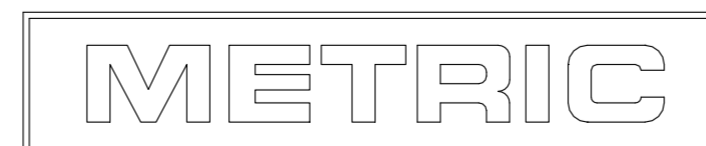
- 1 0.00076 MIN GOLD PLATING IN THIS AREA WITH 0.00381 MIN MATTE TIN LEAD ON THE REMAINDER, BOTH OVER 0.00127 MIN NICKEL UNDERPLATE.
- 2 FITS 1.70 - 1.85 DIAMETER HOLE IN A 1.57 PRINTED CIRCUIT BOARD.
- 3 PARTS TO COMPLY WITH AMP SOLDERABILITY SPECIFICATION 109-11-3.
- 4 0.05 - 0.25 DIAMETER OPENING REQUIRED IN TIP OF PIN.
- 5 0.00076 MIN GOLD PLATING IN THIS AREA WITH 0.00381 MIN MATTE TIN ON THE REMAINDER, BOTH OVER 0.00127 MIN NICKEL UNDERPLATE.



OBSOLETE		3-61097-2
SUPERSEDED BY	61097-1	PRE TIN 3-61097-1
OBSOLETE		61097-2
	PRE TIN	61097-1
	FINISH	PART NUMBER

MM	IN	MM	IN	MM	IN	MM	IN
0.13	.005	1.70	.067	8.51	.335	-	-
0.05	.002	1.57	.062	4.06	.160	-	-
0.00381	.000150	1.47	.058	2.54	.100	-	-
0.00127	.000050	1.27	.050	2.29	.090	-	-
0.00076	.000030	0.25	.010	1.85	.073	-	-

CONVERSION TABLE



THIS DRAWING IS A CONTROLLED DOCUMENT.		DWN	T. BECK	8-22-97		NAME		PIN, .058 DIAMETER, PHOSPHOR BRONZE, CLINCH FIT, LOOSE PIECE, P.C. CONTACT	
DIMENSIONS: mm		CHK	R. SWING	8-22-97		PRODUCT SPEC		SIZE	A2
TOLERANCES UNLESS OTHERWISE SPECIFIED:		APVD	A. BEDDICK	9-10-97		APPLICATION SPEC		CAGE CODE	00779
0 PLC ± - 1 PLC ± - 2 PLC ± 0.13 3 PLC ± - 4 PLC ± - ANGLES ± -		MATERIAL		0.25 PH BRZ		DRAWING NO		DRAWING NO	C-61097
MATERIAL		FINISH		SEE TABLE	WEIGHT	0.000000	SCALE	15:1	
CUSTOMER DRAWING		SHEET		1 OF 1	REV		U1		